

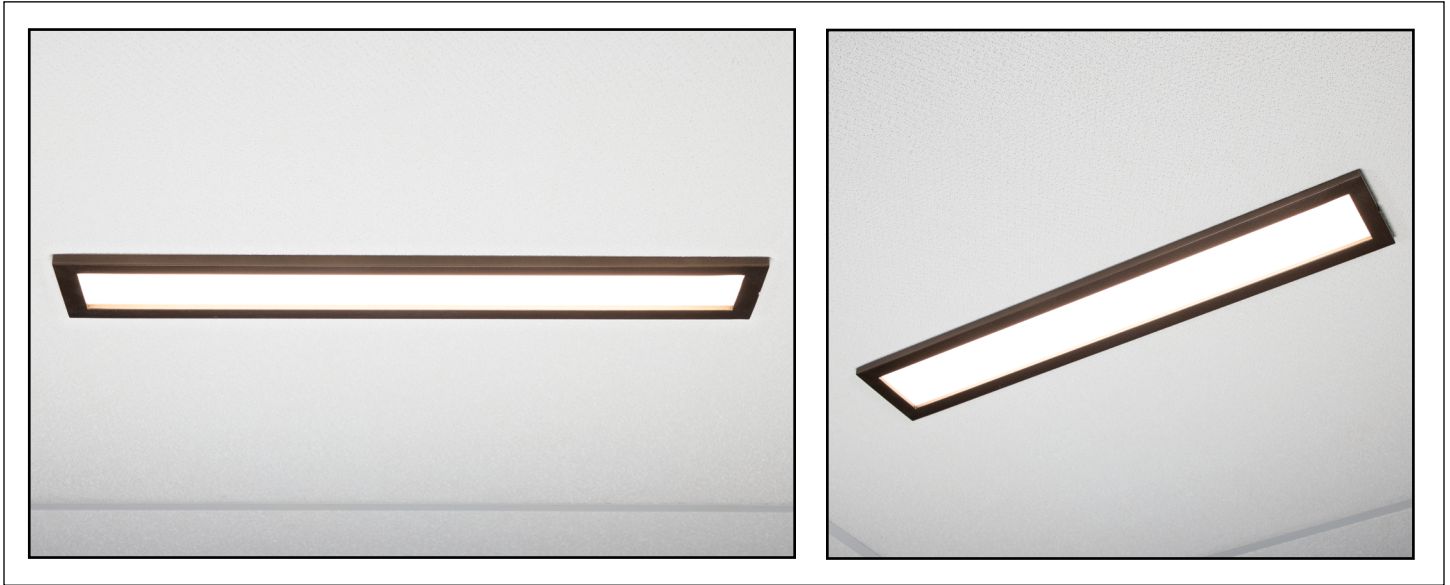
CV1601/CV1603/CV1605/CV1607 VISAGE™

Indoor — Surface Frame



VisaLighting.com/products/Visage

Type: _____ Project: _____ Location: _____



DIMENSIONS¹

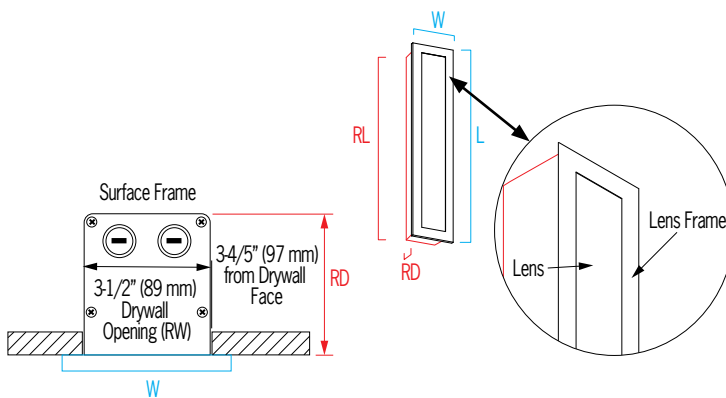
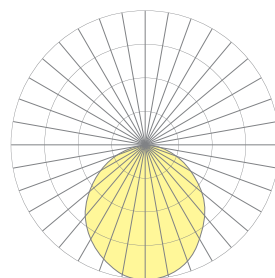
W = Width L = Length RD = Recessed Depth RL = Recessed Length WT = Weight

	CV1601	CV1603	CV1605	CV1607
W	4-1/2" (114 mm)			
L	26-1/8" (664 mm)	37-1/8" (943 mm)	48-1/8" (1222 mm)	59-1/8" (1502 mm)
RD	3-4/5" (97 mm)			
RL	25" (635 mm)	36" (914 mm)	47" (1194 mm)	58" (1473 mm)
WT	3 lbs (1361 grams)	4 lbs (1814 grams)	5 lbs (2268 grams)	6 lbs (2722 grams)

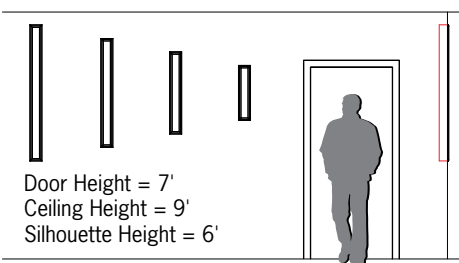
FEATURES

- Integral driver
- Versatile mounting: horizontally or vertically on wall, or ceiling mount
- Low output recommended for wall installation, high output recommended for ceiling installation
- Shallow recessed housing rated for through-circuit wiring
- Accommodates wall thickness (including tile) from 1/2" up to 7/8"
- Installs in rough wall opening with integral mounting brackets
- Accommodates 5/8" thick drywall, 1/4" tile down to 1/2" thick drywall (and no tile)
- Extruded aluminum body and frame
- Extruded white acrylic diffuser with matte finish; UV stable; UL94 Flame Class rated
- IC rated
- ETL listed for damp locations. Not suited for exterior applications

PHOTOMETRICS



RELATIVE SCALE DRAWING



ADA



XPS



ETL Listed



5 Year Warranty

CV1601/CV1603/CV1605/CV1607 VISAGE (cont.)



Indoor — Surface Frame

Fill in shaded boxes using information listed below

MODEL¹ CV1601 CV1603 CV1605 CV1607 See page 1	SOURCE² • L30K(H) • L30K(L) L35K(H) L35K(L) • L40K(H) • L40K(L)	VOLTAGE³ MVOLT 347V	FINISH See last page for finish order codes	OPTIONS⁴ DCC XPS
--	---	---	---	--

SOURCE² (Select one)

Dimmable 0-10V to 1%, Minimum 80CRI, within 3-step MacAdam

Source	CCT	CV1601		CV1603		CV1605		CV1607	
		Delivered Lumens	Power/Watts	Delivered Lumens	Power/Watts	Delivered Lumens	Power/Watts	Delivered Lumens	Power/Watts
• L30K(H)	3000K	1600	19	2400	27	3200	36	3900	43
• L30K(L)	3000K	1050	12	1600	17	2100	23	2600	27
L35K(H)	3500K	1650	19	2400	27	3300	36	4000	43
L35K(L)	3500K	1100	12	1600	17	2200	23	2600	27
• L40K(H)	4000K	1700	19	2500	27	3300	36	4100	43
• L40K(L)	4000K	1100	12	1650	17	2200	23	2700	27

VOLTAGE³ (Select One)

MVOLT	120-277V, 50/60 Hz
347V	347V, 50/60 Hz

LUMEN MAINTENANCE RATING

L80 (reported)	≥50,000hrs
----------------	------------

OPTIONS⁴ (Multiple Selections Allowed)

▲ Option availability may be interdependent with Voltage, Source or Other Options

DCC	Damp clear coat for metal finishes (required for 5 year warranty when used in damp locations)
XPS	Express 10 day shipping. Items marked with a bullet (•) are not available with XPS

CV1601/CV1603/CV1605/CV1607 VISAGE (cont.)



Indoor — Surface Frame

VISAGE PRODUCT FAMILY

Outdoor	<ul style="list-style-type: none"> • OW1600 — Surface Frame • OW1604 — Surface Frame • OW1606 — Surface Frame • OW1610 — Surface Frame
Indoor Wall/Ceiling	<ul style="list-style-type: none"> • CV1601 — Surface Frame • CV1603 — Surface Frame • CV1605 — Surface Frame • CV1607 — Surface Frame • CV1609 — Flush Frame • CV1611 — Flush Frame • CV1613 — Flush Frame • CV1615 — Flush Frame • CV1680 — Behavioral Health

SUGGESTED VARIATIONS

- Custom color or material
- Increase or decrease fixture height and/or width
- Special lens or diffuser inserts

See [Visalighting.com/products/Visage](https://visalighting.com/products/Visage) for more information

CV1601/CV1603/CV1605/CV1607 VISAGE (cont.)



FINISHES

Specify color code when ordering. For accurate color matching, individual paint and finish samples are [available upon request](#). For more information about our finishes visit visalighting.com/finishes


Powder Coat Paint Finishes (Standard)

						
AGGY Agate Grey	ALGN Alpine Green	BJBG Baja Beige	BMAT Bronze Matte	BRNZ Bronze	BSIL Blade Silver	CVBL Cove Blue
						
DEOR Deoro Gold	GLWT Glacier White	GSIL Graphite Silver	HRGR Harbor Grey	JTBK Jet Black	OCBL Ocean Blue	SHGR Shoreline Grey
						
SBGN Sagebrush Green	SLGR Slate Grey	SSTP Sierra Taupe	TRCN Terracotta Canyon	TRWT Traffic White	VBLK Velvet Black	VNRD Vineyard Red

Alternative Metal Finishes (Premium)

			
BBA Brushed Brass Alternative	BCA Brushed Chrome Alternative	BUA Brushed Copper Alternative	BZA Brushed Bronze Alternative
			
OBA Oil-Rubbed Bronze Alternative	PRA Pewter Alternative	RBA Rustic Brass Alternative	SNA Satin Nickel Alternative

Metal Finish (Premium)


BA Brushed Aluminum

Wood Sublimated Metal Finishes (Premium)

	
MCA Mediterranean Cherry Metal Based Wood Alternative	NOA Natural Oak Metal Based Wood Alternative