

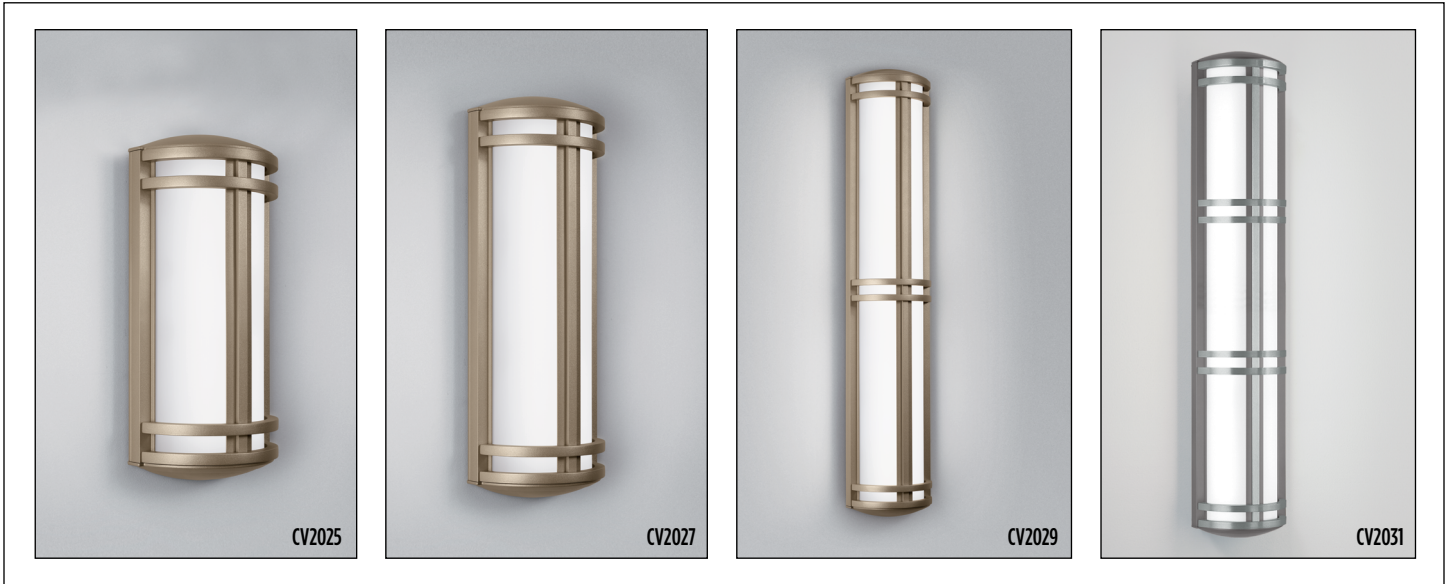
AVATAR™ INDOOR – DUAL ACCENT BAR

CV2025/CV2027/CV2029/CV2031



VisaLighting.com/products/Avatar

Type: _____ Project: _____ Location: _____

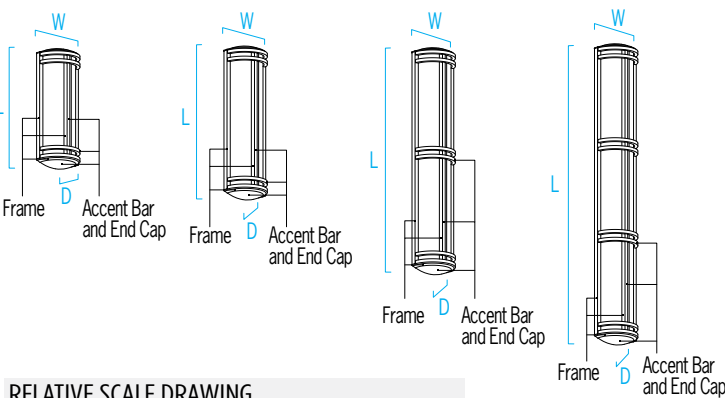


DIMENSIONS¹

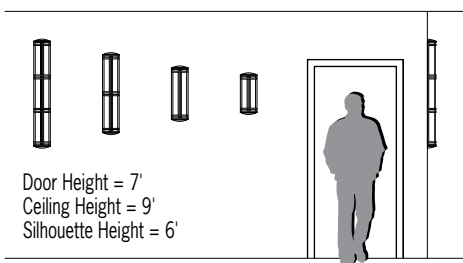
Depth is measured from wall to front of fixture

L = Length D = Depth W = Width

	CV2025	CV2027	CV2029	CV2031
L	19-3/4" (502 mm)	25-1/8" (638 mm)	36-1/8" (918 mm)	47-1/4" (1200 mm)
D	4" (102 mm)			
W	7-1/4" (184 mm)			



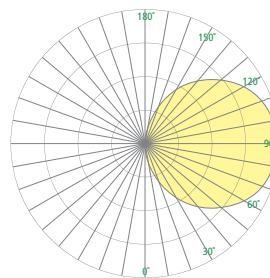
RELATIVE SCALE DRAWING



FEATURES

- Integral driver
- Modular design for replacement of LED source and integral driver
- Versatile mounting; ceiling or wall mount (vertical or horizontal orientation)
- Mounts over standard electrical junction box (by others) with provided hardware
- Removable cam-action hinged frame for ease of maintenance
- Auxiliary mounting holes and hardware provided
- Extruded aluminum backplate and center accent; die cast end caps. Solid metal accent bars
- Extruded white acrylic diffuser
 - UV stable
 - UL-94 HB Flame Class rated
- No VOC powder coat paint
- ETL listed for wet location mounting 4' above grade

PHOTOMETRICS



ADA Compliant



XPS



ETL Listed



5 Year Warranty

AVATAR INDOOR – DUAL ACCENT BAR (cont.)

CV2025/CV2027/CV2029/CV2031



Fill in shaded boxes using information listed below

- MVOLT					
MODEL¹ CV2025 CV2027 CV2029 CV2031 See page 1	SOURCE² • L30K(H) • L30K(L) L35K(H) L35K(L) • L40K(H) • L40K(L)	VOLTAGE MVOLT	FRAME FINISH See last page for finish order codes	ACCENT BAR AND END CAP FINISH See last page for finish order codes	OPTION(S)³ DCC PMO (Painted) PMO (BA) XPS

SOURCE² (Select one)

Dimmable 0-10V to 1%, Minimum 80CRI, within 3-step MacAdam

Source	CCT	CV2025		CV2027		CV2029		CV2031	
		Delivered Lumens	Power/Watts	Delivered Lumens	Power/Watts	Delivered Lumens	Power/Watts	Delivered Lumens	Power/Watts
• L30K(H)	3000K	1200	15	1600	19	2400	29	3300	38
• L30K(L)	3000K	800	9	1100	13	1600	19	2200	25
L35K(H)	3500K	1200	15	1600	19	2400	29	3300	38
L35K(L)	3500K	800	9	1100	13	1600	19	2200	25
• L40K(H)	4000K	1200	15	1700	19	2500	29	3400	38
• L40K(L)	4000K	800	9	1100	13	1700	19	2200	25

VOLTAGE

MVOLT	120-277V, 50/60 Hz
--------------	--------------------

OPTIONS³ (Multiple Selections Allowed)

⚠ Option availability may be interdependent with Other Options

DCC	Damp clear coat for metal finishes (required for 5 year warranty when used in damp locations)
PMO (Painted)	Perforated metal overlay painted. Color Code Required - see finish order codes on last page
PMO (BA)	Perforated metal overlay in Brushed Aluminum
XPS	Express 10 day shipping. Items marked with a bullet (●) are not available with XPS

AVATAR INDOOR – DUAL ACCENT BAR (cont.)

CV2025/CV2027/CV2029/CV2031



AVATAR PRODUCT FAMILY

Outdoor	Single Bar	• OW1301 , OW1303 , OW1305 , OW1307
	Dual Bars	• OW1311 , OW1313 , OW1315 , OW1317
	Perforated	• OW1331 , OW1333 , OW1335 , OW1337
Indoor	Single Bar	• CV2009 , CV2011 , CV2013 , CV2015
	Dual Bars	• CV2025 , CV2027 , CV2029 , CV2031

SUGGESTED VARIATIONS

- Increase length
- Add/remove bar stock

See [Visalighting.com/Products/Avatar](https://visalighting.com/Products/Avatar) for more information

AVATAR INDOOR – DUAL ACCENT BAR (cont.)

CV2025/CV2027/CV2029/CV2031



FINISHES

Specify color code when ordering. For accurate color matching, individual paint and finish samples are [available upon request](#). For more information about our finishes visit visalighting.com/finishes

Powder Coat Paint Finishes (Standard)

AGGY Agate Grey	ALGN Alpine Green	BJBG Baja Beige	BMAT Bronze Matte	BRNZ Bronze	BSIL Blade Silver	CVBL Cove Blue
DEOR Deoro Gold	GLWT Glacier White	GSIL Graphite Silver	HRGR Harbor Grey	JTBK Jet Black	OCBL Ocean Blue	SHGR Shoreline Grey
SBGN Sagebrush Green	SLGR Slate Grey	SSTP Sierra Taupe	TRCN Terracotta Canyon	TRWT Traffic White	VBLK Velvet Black	VNRD Vineyard Red

Alternative Metal Finishes (Premium)

BBA Brushed Brass Alternative	BCA Brushed Chrome Alternative	BUA Brushed Copper Alternative	BZA Brushed Bronze Alternative
OBA Oil-Rubbed Bronze Alternative	PRA Pewter Alternative	RBA Rustic Brass Alternative	SNA Satin Nickel Alternative

Metal Finishes (Premium) – Premium metals for PMO(BA) option only

BA Brushed Aluminum	BB Brushed Brass	BSS Brushed Stainless Steel
PB Polished Brass	PSS Polished Stainless Steel	