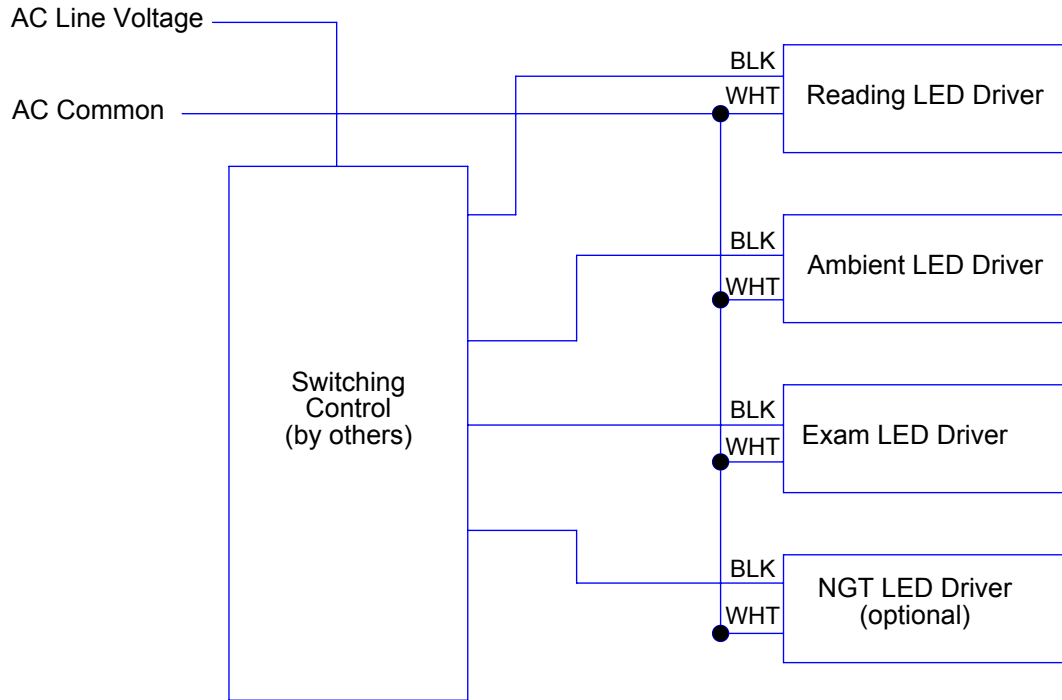


INSTALLATION INSTRUCTIONS

Model: **SERENITY**
Fixture Family: **CEILING RECESSED MOUNT**
Document Description: Installation Instructions for
CM1930 Tandem Series Luminaires

1717 West Civic Drive Milwaukee, WI 53209
414-354-6600
Design Modification Rights Reserved
© Visa Lighting

INTERNAL WIRING BLOCK DIAGRAM



Drawing: 762060XX

Rev: A

Sheet: 5 of 8

Eng: CGA

Date Drawn: 10/24/22



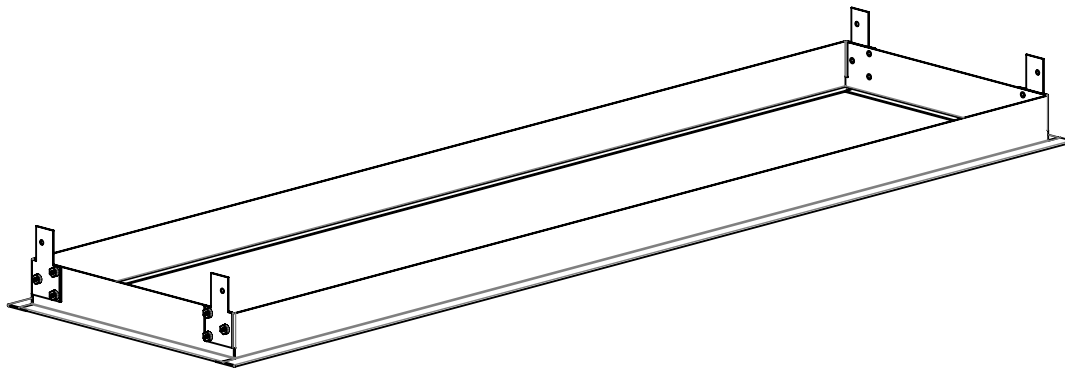
When using electrical equipment, basic safety precautions should always be followed, including the following:

- Read all instructions carefully before installing and save for future use.
- Make sure all connections are in accordance with the National Electrical Code and local regulations.
- To avoid possible electric shock, be sure the power supply is turned off before servicing or installing the fixture.
- Service should be performed by qualified personnel.
- These instructions may not cover all details or variations. If additional information is needed, please contact Visa Lighting.

INSTALLATION INSTRUCTIONS

Model: **SERENITY**
Fixture Family: **CEILING RECESSED MOUNT**
Document Description: Installation Instructions for
CM1930 Tandem Series Luminaires

 **VISA LIGHTING**
AN OLDENBURG GROUP COMPANY
1717 West Civic Drive Milwaukee, WI 53209
414-354-6600
Design Modification Rights Reserved
© Visa Lighting



DRYWALL INSTALLATION KIT (SRI) FOR RECESSED SERENITY

CM1930


Drawing: 762060XX

Rev: A

Sheet: 6 of 8

Eng: CGA

Date Drawn: 10/24/22

 When using electrical equipment, basic safety precautions should always be followed, including the following:

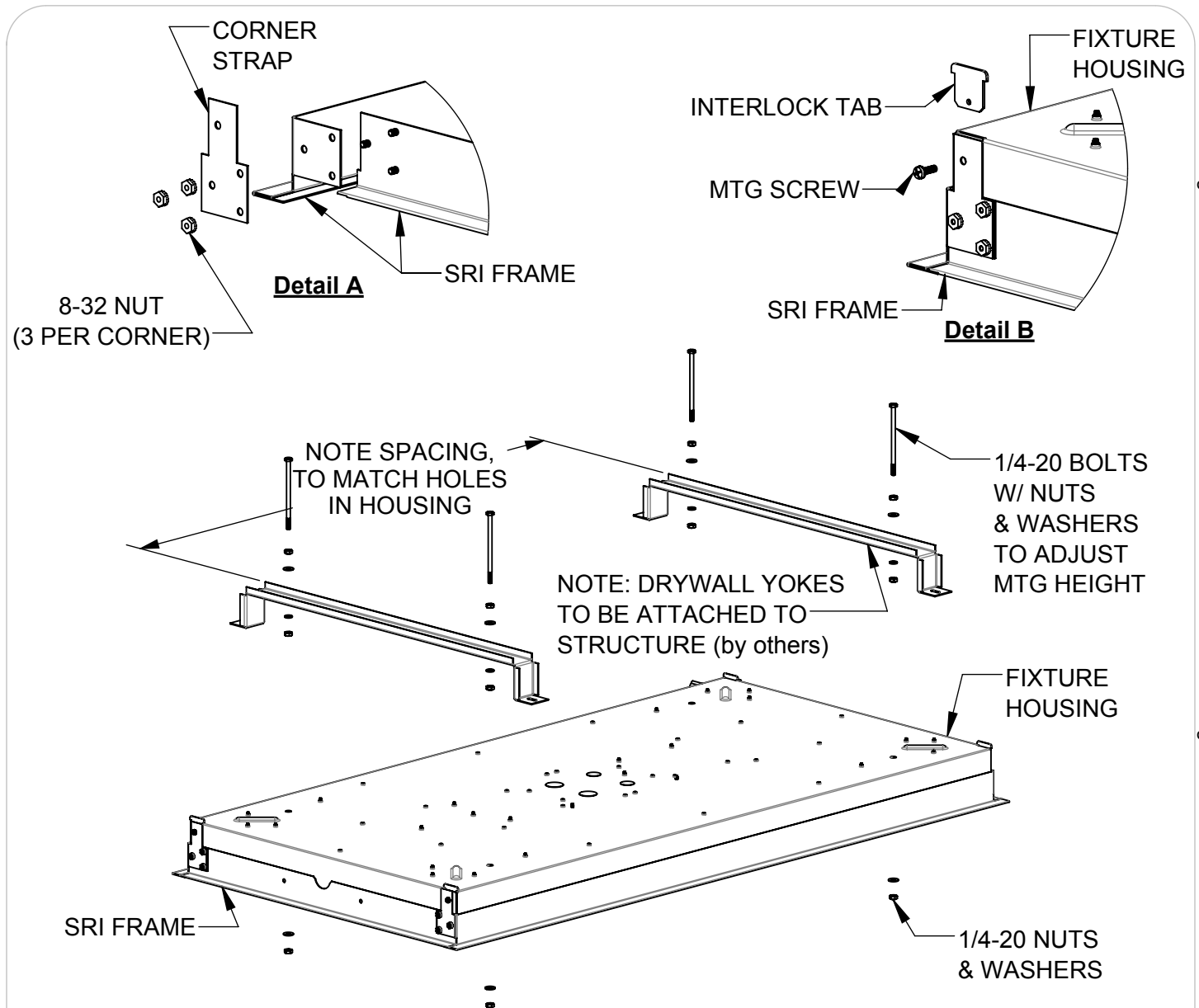
- Read all instructions carefully before installing and save for future use.
- Make sure all connections are in accordance with the National Electrical Code and local regulations.
- To avoid possible electric shock, be sure the power supply is turned off before servicing or installing the fixture.
- Service should be performed by qualified personnel.
- These instructions may not cover all details or variations. If additional information is needed, please contact Visa Lighting.

INSTALLATION INSTRUCTIONS



Model: **SERENITY**
Fixture Family: **CEILING RECESSED MOUNT**
Document Description: Installation Instructions for
CM1930 Tandem Series Luminaires

1717 West Civic Drive Milwaukee, WI 53209
414-354-6600
Design Modification Rights Reserved
© Visa Lighting



1. SRI frame - Assemble corners as illustrated in Detail A using (3) 8-32 nuts at each corner.
2. Slide **FIXTURE HOUSING** into SRI frame.
3. Insert **INTERLOCK TAB** into corner slot on top of the **FIXTURE HOUSING**, fasten **MTG SCREW** through hole in **CORNER STRAP**, into the **INTERLOCK TAB** as shown in Detail B (all 4 corners).
4. Attach **DRYWALL YOKES** to structure around opening (see Sheet 8 for ceiling opening).
5. Install and adjust 1/4-20 bolts to correct finished length needed for flush fixture mounting.
6. Attach fixture to 1/4-20 bolts using washers and nuts.

! When using electrical equipment, basic safety precautions should always be followed, including the following:

- Read all instructions carefully before installing and save for future use.
- Make sure all connections are in accordance with the National Electrical Code and local regulations.
- To avoid possible electric shock, be sure the power supply is turned off before servicing or installing the fixture.
- Service should be performed by qualified personnel.
- These instructions may not cover all details or variations. If additional information is needed, please contact Visa Lighting.

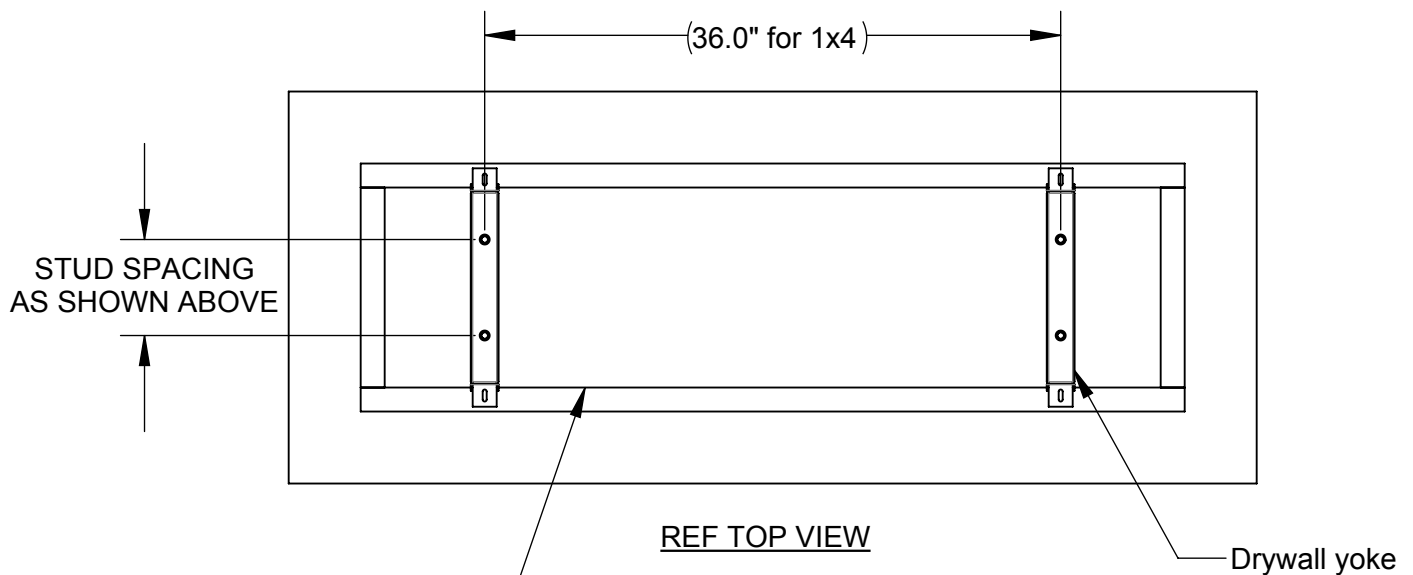
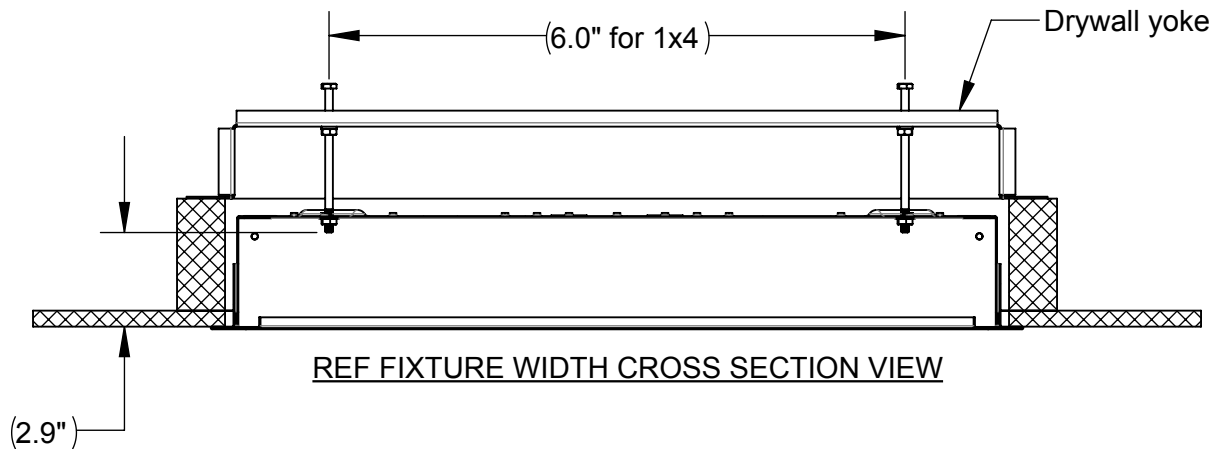
Drawing: 762060XX
Rev: A
Sheet: 7 of 8
Eng: CGA
Date Drawn: 10/24/22

INSTALLATION INSTRUCTIONS



Model: **SERENITY**
Fixture Family: **CEILING RECESSED MOUNT**
Document Description: Installation Instructions for
CM1930 Tandem Series Luminaires

1717 West Civic Drive Milwaukee, WI 53209
414-354-6600
Design Modification Rights Reserved
© Visa Lighting



Note - Ceiling opening;
CM1930 - 12.5" x 48.5"

1. Attach DRYWALL YOKES to structure around opening (match spacing to holes in housing).
2. Stud spacing as shown above for 1x4 fixtures.
3. Adjust stud length such that bottom of stud is approximately 2.9" from ceiling surface

When using electrical equipment, basic safety precautions should always be followed, including the following:

- Read all instructions carefully before installing and save for future use.
- Make sure all connections are in accordance with the National Electrical Code and local regulations.
- To avoid possible electric shock, be sure the power supply is turned off before servicing or installing the fixture
- Service should be performed by qualified personnel.
- These instructions may not cover all details or variations. If additional information is needed, please contact Visa Lighting.

Drawing: 762060XX

Rev: A

Sheet: 8 of 8

Eng: CGA

Date Drawn: 10/24/22