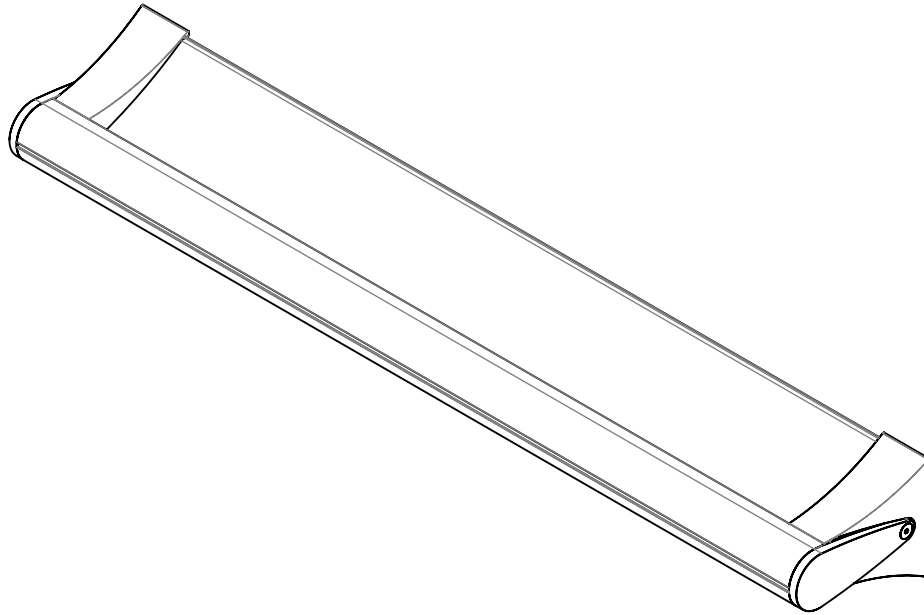


# INSTALLATION INSTRUCTIONS

Model: **CV1700 - CV1722**  
Fixture Family: **ETHER & ETHER WASH**  
Document Description: Installation Instructions for  
Ether Series Luminaires

 **VISA LIGHTING**  
1717 West Civic Drive Milwaukee, WI 53209  
414-354-6600  
Design Modification Rights Reserved  
© Visa Lighting 2004



**ETHER  
CV1700-1710**

**ETHER WASH  
CV1712-1722**

## SHEET 2: GENERAL INSTALL

Drawing: 760470XX

Rev: D

Sheet: 1 of 2

Eng: CG2

Date Drawn: 04/17/14



When using electrical equipment, basic safety precautions should always be followed, including the following:

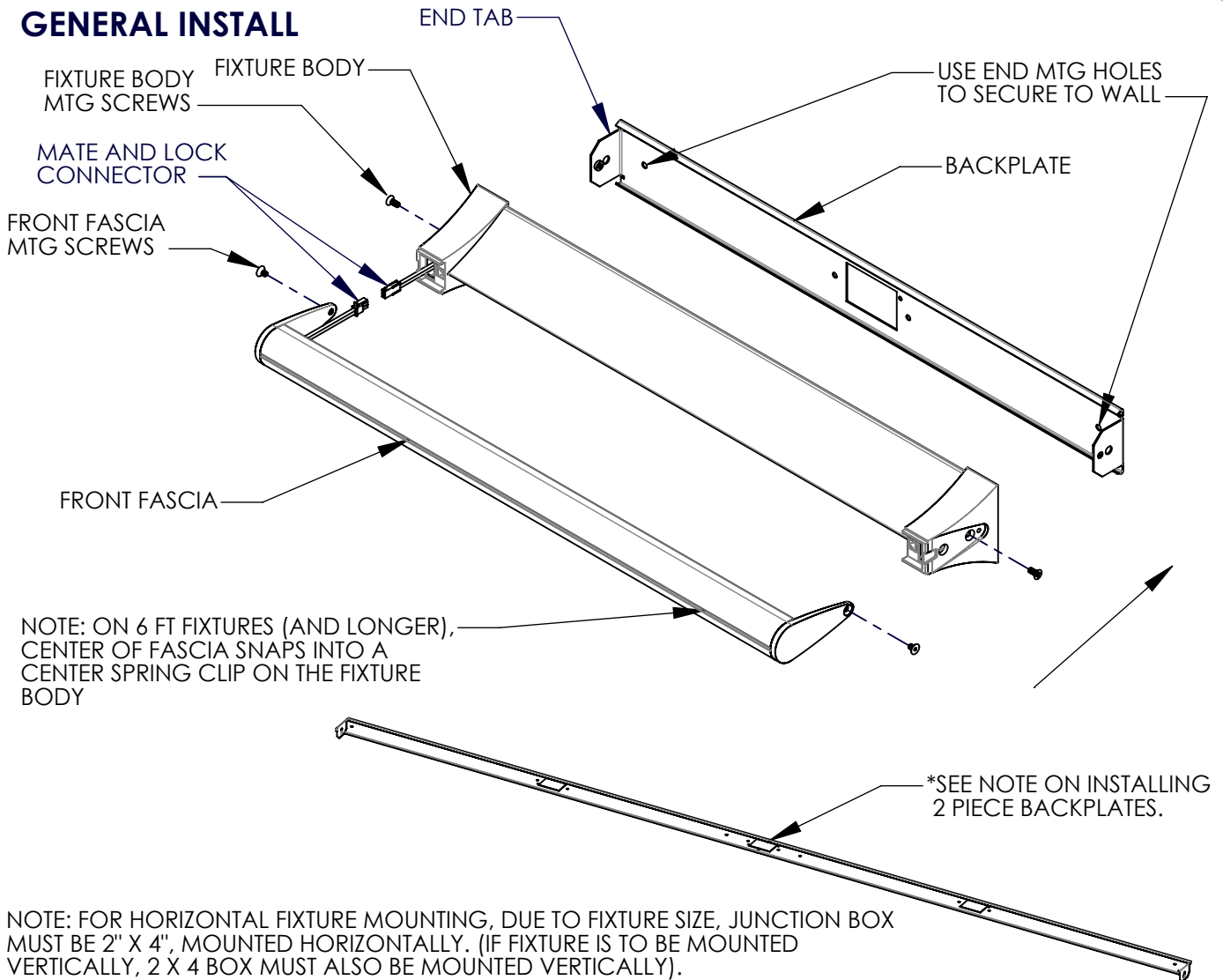
- Read all instructions carefully before installing and save for future use.
- Make sure all connections are in accordance with the National Electrical Code and local regulations.
- To avoid possible electric shock, be sure the power supply is turned off before servicing or installing the fixture.
- Service should be performed by qualified personnel.
- These instructions may not cover all details or variations. If additional information is needed, please contact Visa Lighting.

# INSTALLATION INSTRUCTIONS

Model: **CV1700 - CV1722**  
Fixture Family: **ETHER & ETHER WASH**  
Document Description: Installation Instructions for  
Ether Series Luminaires

**VISA LIGHTING**  
1717 West Civic Drive Milwaukee, WI 53209  
414-354-6600  
Design Modification Rights Reserved  
© Visa Lighting 2004

## GENERAL INSTALL



1. Secure fixture backplate to wall, using screws provided.  
\*Note: Longer fixture backplates are in 2 pieces. After installing 1 side level, butt other side and level as well (see detail above).
2. Make wire connections per national and local codes.
3. Push wire connectors into wall box, align fixture body with backplate end tabs and slide onto backplate.
4. Fasten fixture body to backplate with screws provided.
5. Connect two wire mate and lock connector.
6. Pushing mate and lock into fixture body, install front fascia to fixture body. Fasten with screws provided.

When using electrical equipment, basic safety precautions should always be followed, including the following:

- Read all instructions carefully before installing and save for future use.
- Make sure all connections are in accordance with the National Electrical Code and local regulations.
- To avoid possible electric shock, be sure the power supply is turned off before servicing or installing the fixture.
- Service should be performed by qualified personnel.
- These instructions may not cover all details or variations. If additional information is needed, please contact Visa Lighting.

Drawing: 760470XX

Rev: D

Sheet: 2 of 2

Eng: CG2

Date Drawn: 04/17/14