

INSTALLATION INSTRUCTIONS

Model: **CB70-10 , 20, 30**
Fixture Family: **Bliss, Anara, Naya**
Document Description: Installation Instructions for
CB70x Series Luminaires

VISA LIGHTING
AN OLDENBURG GROUP COMPANY
1717 West Civic Drive Milwaukee, WI 53209
414-354-6600
Design Modification Rights Reserved
© Visa Lighting 2023

Drawing: 762374XX

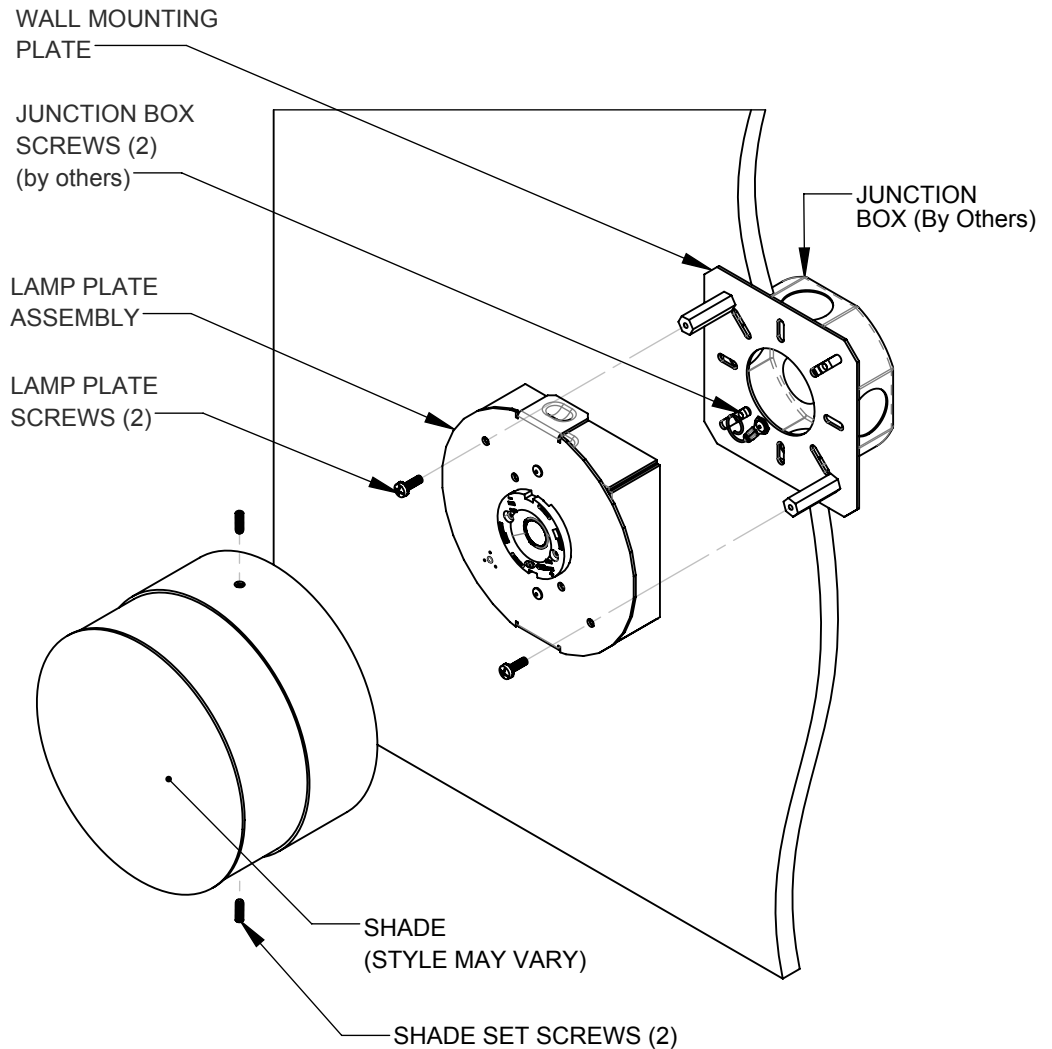
Rev: A

Sheet: 1 of 1

Eng: DMM

Date Drawn: 2/2/23

TYPICAL FIXTURE



INSTRUCTIONS

1. Secure mounting plate to junction box and wall with hardware (by others).
2. Make all electrical connections per national and local codes.
3. Install lamp plate assembly over wall mounting plate and tighten mounting set screws at top and bottom of lamp plate assembly.
4. Install shade onto lamp plate assembly and tighten shade set screws (2) until fixture is secured to lamp plate assembly.

When using electrical equipment, basic safety precautions should always be followed, including the following:

- Read all instructions carefully before installing and save for future use.
- Make sure all connections are in accordance with the National Electrical Code and local regulations.
- To avoid possible electric shock, be sure the power supply is turned off before servicing or installing the fixture.
- Service should be performed by qualified personnel.
- These instructions may not cover all details or variations. If additional information is needed, please contact Visa Lighting.