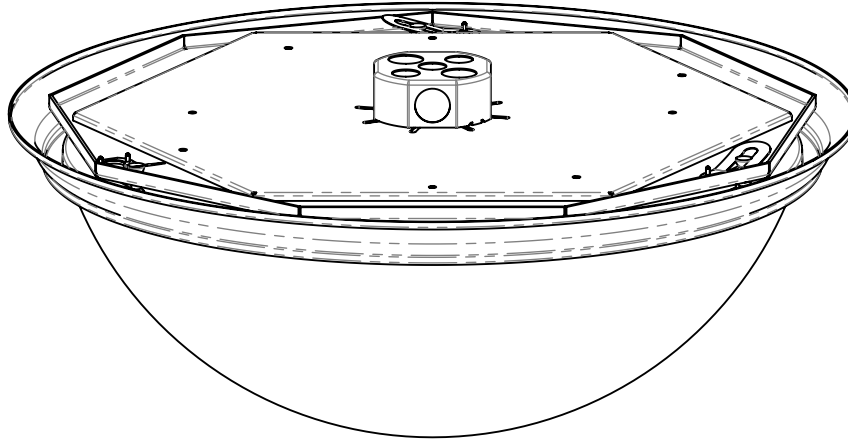


# INSTALLATION INSTRUCTIONS

**VISA LIGHTING**  
AN OLDENBURG GROUP COMPANY  
1717 West Civic Drive Milwaukee, WI 53209  
414-354-6600  
Design Modification Rights Reserved  
© Visa Lighting

Model: **CM1083 CM1093 CM1103**  
Fixture Family: **SOLO FAIRFAX CARLTON OLYMPIA**  
Document Description: Installation Instructions for  
SOLO FAIRFAX CARLTON OLYMPIA Series Luminaires



**SOLO FAIRFAX CARLTON OLYMPIA**

**CM1083  
CM1093  
CM1103**

Drawing: 762030XX

Rev: A

Sheet: 1 of 2

Eng: CG2

Date Drawn: 9/9/15

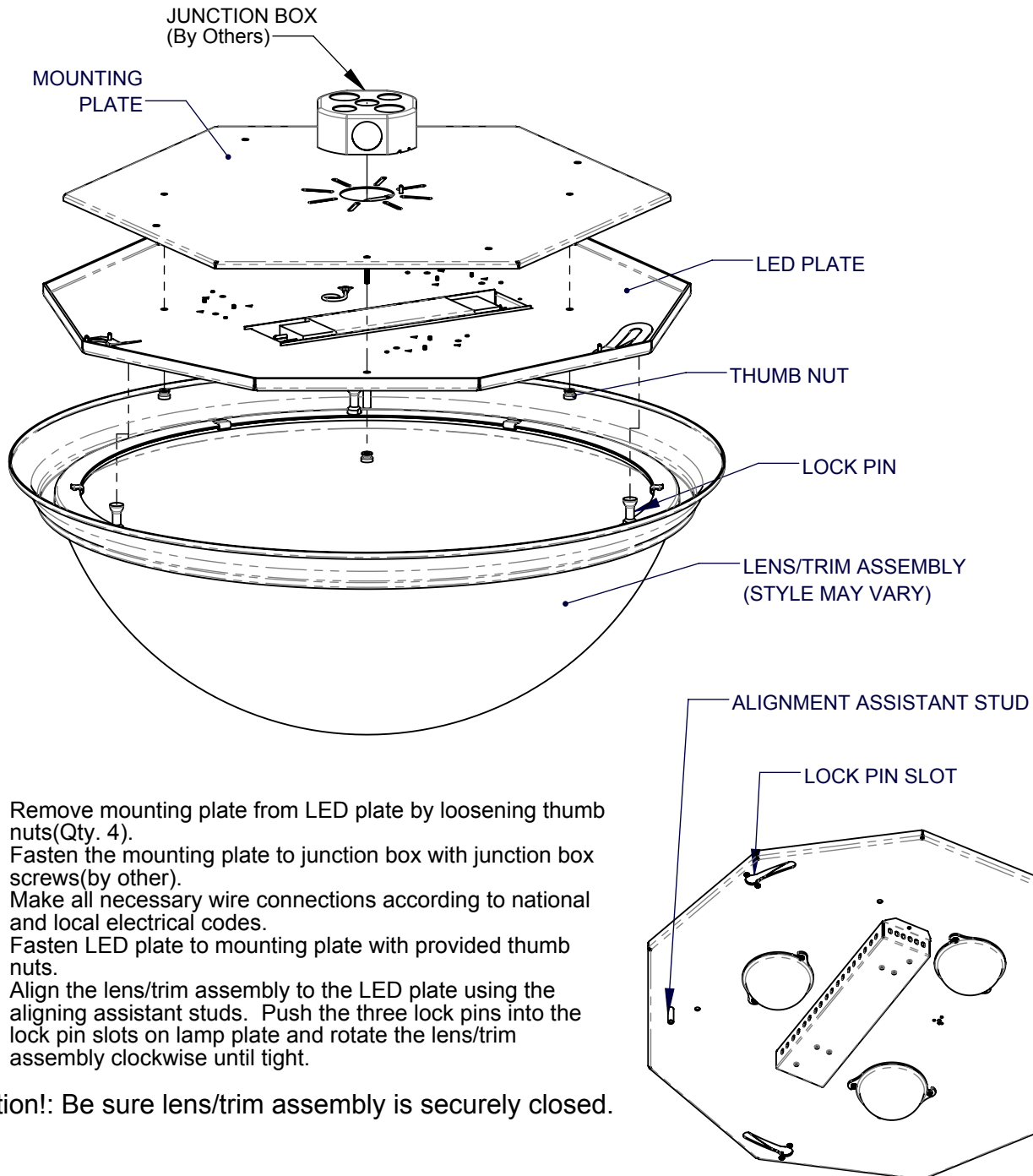
**!** When using electrical equipment, basic safety precautions should always be followed, including the following:

- Read all instructions carefully before installing and save for future use.
- Make sure all connections are in accordance with the National Electrical Code and local regulations.
- To avoid possible electric shock, be sure the power supply is turned off before servicing or installing the fixture.
- Service should be performed by qualified personnel.
- These instructions may not cover all details or variations. If additional information is needed, please contact Visa Lighting.

# INSTALLATION INSTRUCTIONS

Model: **CM1083 CM1093 CM1103**  
Fixture Family: **SOLO FAIRFAX CARLTON OLYMPIA**  
Document Description: Installation Instructions for  
SOLO FAIRFAX CARLTON OLYMPIA Series Luminaires

## TYPICAL FIXTURE



1. Remove mounting plate from LED plate by loosening thumb nuts (Qty. 4).
2. Fasten the mounting plate to junction box with junction box screws (by other).
3. Make all necessary wire connections according to national and local electrical codes.
4. Fasten LED plate to mounting plate with provided thumb nuts.
5. Align the lens/trim assembly to the LED plate using the alignment assistant studs. Push the three lock pins into the lock pin slots on lamp plate and rotate the lens/trim assembly clockwise until tight.

**Caution!:** Be sure lens/trim assembly is securely closed.

Drawing: 762030XX

Rev: A

Sheet: 2 of 2

Eng: CG2

Date Drawn: 9/9/15

When using electrical equipment, basic safety precautions should always be followed, including the following:

- Read all instructions carefully before installing and save for future use.
- Make sure all connections are in accordance with the National Electrical Code and local regulations.
- To avoid possible electric shock, be sure the power supply is turned off before servicing or installing the fixture.
- Service should be performed by qualified personnel.
- These instructions may not cover all details or variations. If additional information is needed, please contact Visa Lighting.