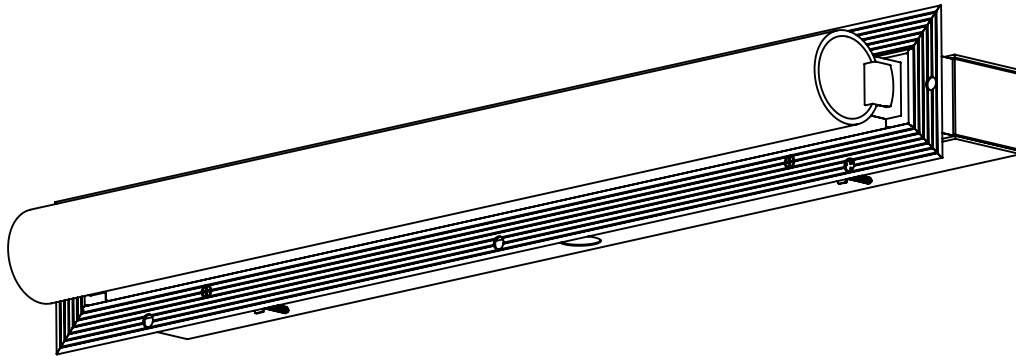


INSTALLATION INSTRUCTIONS

Model: **VOILA/WAND/DECK RECESSED**
Fixture Family: **MYSTIQUE**
Document Description: Installation Instructions for
Mystique Series Luminaires

 **VISA LIGHTING**
AN OLDENBURG GROUP COMPANY
1717 West Civic Drive Milwaukee, WI 53209
414-354-6600
Design Modification Rights Reserved
© Visa Lighting



*STYLE MAY VARY
(CV4140 SHOWN)

VOILA RECESSED

CV4140 CV4141
CV4142 CV4145
CV4146 CV4147

WAND RECESSED

CV4180
CV4181

DECK RECESSED

CB1971 CB1974
CB1977 CB1979

Drawing: 762288XX

Rev: B

Sheet: 1 of 5

Eng: TJQ

Date Drawn: 10/04/2017

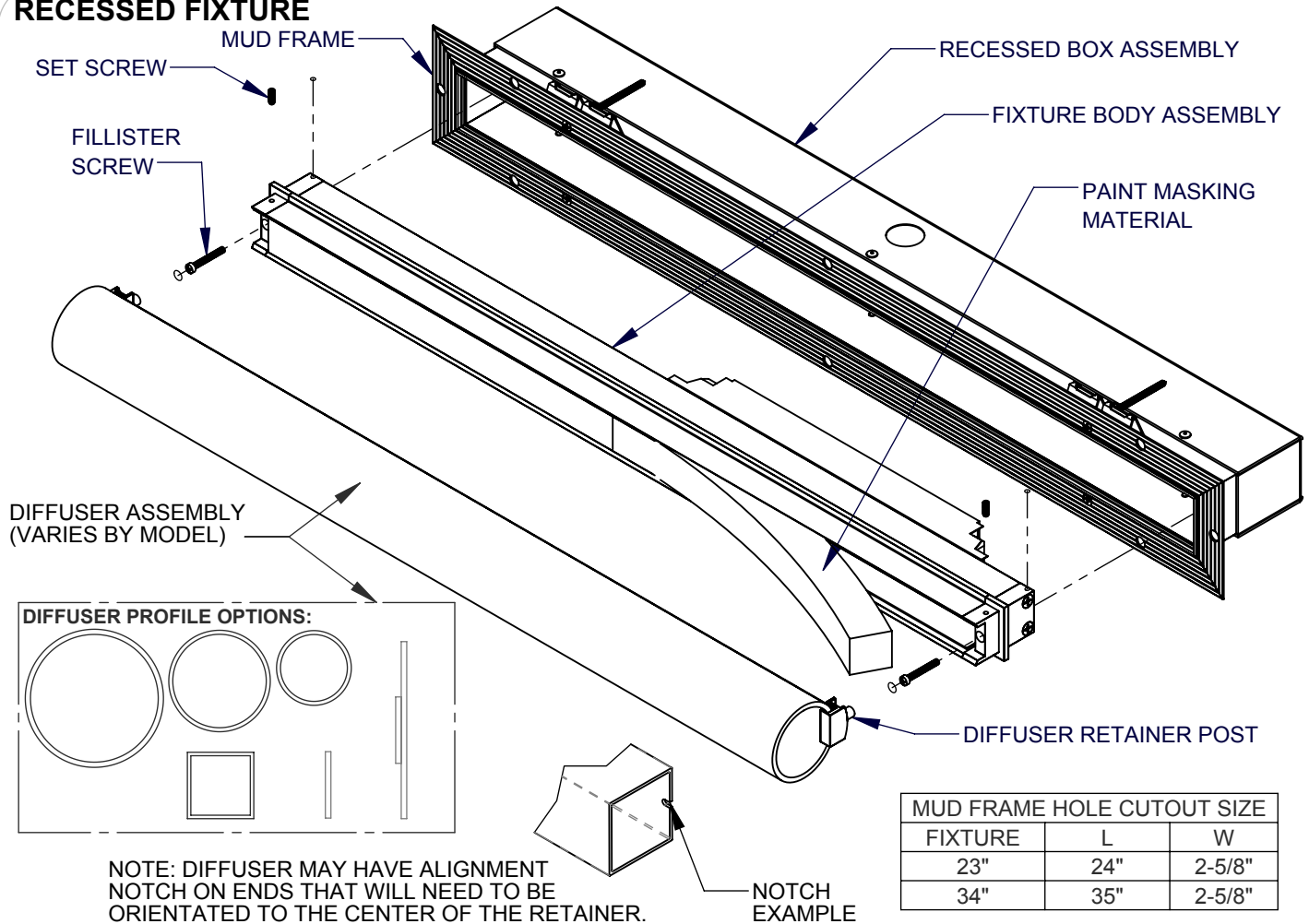
- !** When using electrical equipment, basic safety precautions should always be followed, including the following:
- Read all instructions carefully before installing and save for future use.
 - Make sure all connections are in accordance with the National Electrical Code and local regulations.
 - To avoid possible electric shock, be sure the power supply is turned off before servicing or installing the fixture.
 - Service should be performed by qualified personnel.
 - These instructions may not cover all details or variations. If additional information is needed, please contact Visa Lighting.

INSTALLATION INSTRUCTIONS

Model: **VOILA/WAND/DECK RECESSED**
 Fixture Family: **MYSTIQUE**
 Document Description: Installation Instructions for
 Mystique Series Luminaires

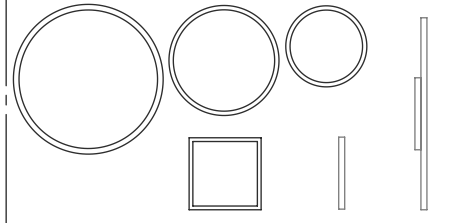
VISA LIGHTING
 AN OLDENBURG GROUP COMPANY
 1717 West Civic Drive Milwaukee, WI 53209
 414-354-6600
 Design Modification Rights Reserved
 © Visa Lighting 2016

RECESSED FIXTURE



DIFFUSER ASSEMBLY
(VARIES BY MODEL)

DIFFUSER PROFILE OPTIONS:



NOTE: DIFFUSER MAY HAVE ALIGNMENT NOTCH ON ENDS THAT WILL NEED TO BE ORIENTATED TO THE CENTER OF THE RETAINER.

NOTCH EXAMPLE

NOTE: THIS FIXTURE & MUDFRAME ARE INTENDED FOR DRYWALL INSTALLATION ONLY. CALL FACTORY FOR TILE OR OTHER APPLICATIONS.

NOTE: IF FIXTURE WAS SUPPLIED PRIME PAINTED AND FINAL PAINTING WILL BE DONE AT INSTALLATION, REMOVE PAINT MASKING MATERIAL PRIOR TO OPERATION.

- Determine mud frame hole size from table above.
- Connect electrical through knockouts in recessed box assembly and pull wires through.
- Slide recessed box assembly into rectangular hole in wall, tighten the mounting clamp screw so bracket collapses tight onto drywall. **Note:** Make sure box is level before tightening mounting clamp. Recessed box assembly can be mounted into wall by using screws and anchors (by others) and removing mounting clamp.
- Recessed box cover supplied to protect recessed box assembly during installation and mudding process. Discard once installed. See page 3.
- Make all electrical connections.
- Attach assembly body fixture to recessed box assembly and secure with fillister screws (2).
- Slide diffuser assembly onto fixture body assembly, aligning diffuser retainer post into holes in sides of fixture body and secure with set screws (2) using a 1/16" hex drive.



When using electrical equipment, basic safety precautions should always be followed, including the following:

- Read all instructions carefully before installing and save for future use.
- Make sure all connections are in accordance with the National Electrical Code and local regulations.
- To avoid possible electric shock, be sure the power supply is turned off before servicing or installing the fixture.
- Service should be performed by qualified personnel.
- These instructions may not cover all details or variations. If additional information is needed, please contact Visa Lighting.

Drawing: 762288XX

Rev: B

Sheet: 2 of 5

Eng: TJQ

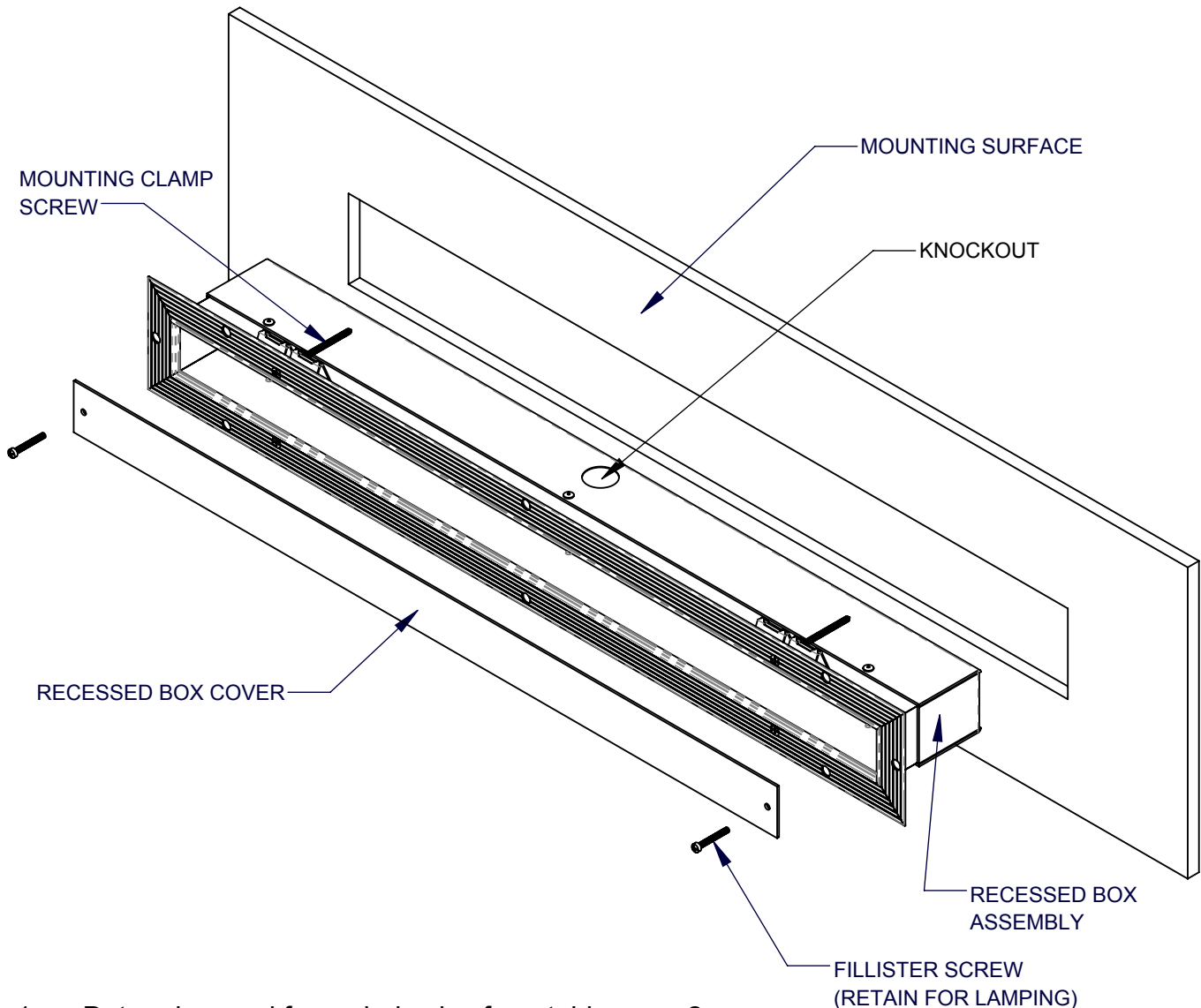
Date Drawn: 10/04/2017

INSTALLATION INSTRUCTIONS

Model: **VOILA/WAND/DECK RECESSED**
Fixture Family: **MYSTIQUE**
Document Description: Installation Instructions for
Mystique Series Luminaires

VISA LIGHTING
AN OLDENBURG GROUP COMPANY
1717 West Civic Drive Milwaukee, WI 53209
414-354-6600
Design Modification Rights Reserved
© Visa Lighting

SHIP AHEAD ROUGH IN ASSEMBLY



1. Determine mud frame hole size from table page 2.
2. Make all electrical connections through knockouts in recessed box assembly and pull wires through the the knockouts.
3. Slide recessed box assembly into rectangular hole in wall, tighten the mounting clamp screws so bracket collapses tight onto drywall. **Note:** Make sure box is level before tightening mounting clamp. Recessed box assembly can be mounted into wall using screws and anchors (by others) and removing mounting clamp.
4. Recessed box cover supplied to protect recessed box assembly during installation and mudding process. Discard once installed.

When using electrical equipment, basic safety precautions should always be followed, including the following:

- Read all instructions carefully before installing and save for future use.
- Make sure all connections are in accordance with the National Electrical Code and local regulations.
- To avoid possible electric shock, be sure the power supply is turned off before servicing or installing the fixture
- Service should be performed by qualified personnel.
- These instructions may not cover all details or variations. If additional information is needed, please contact Visa Lighting.

Drawing: 762288XX

Rev: B

Sheet: 3 of 5

Eng: TJD

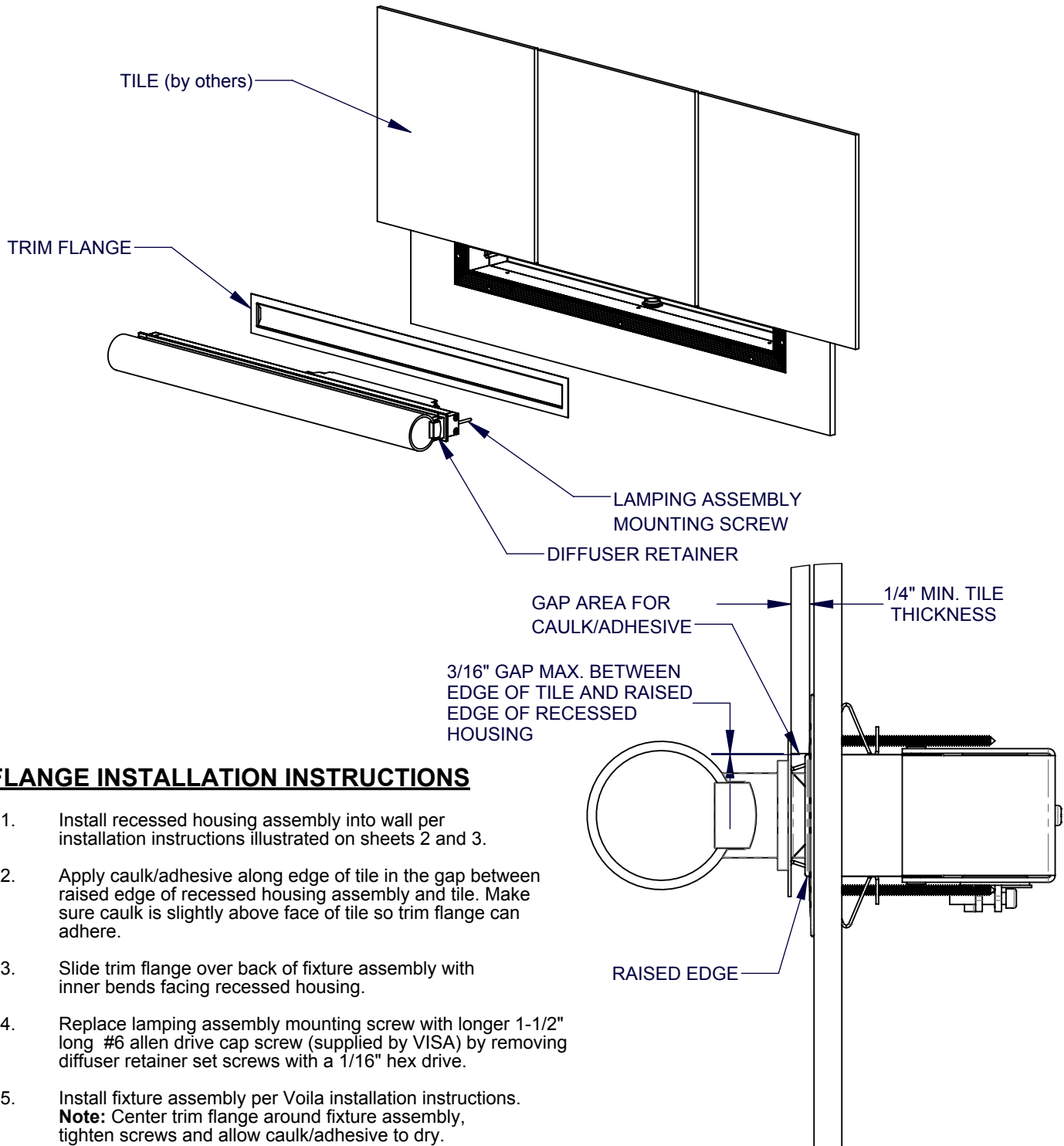
Date Drawn: 10/04/2017

INSTALLATION INSTRUCTIONS

Model: **VOILA/WAND/DECK RECESSED**
Fixture Family: **MYSTIQUE**
Document Description: Installation Instructions for
Mystique Series Luminaires

VISA LIGHTING
AN OLDENBURG GROUP COMPANY
1717 West Civic Drive Milwaukee, WI 53209
414-354-6600
Design Modification Rights Reserved
© Visa Lighting

RECESSED FIXTURE WITH TILE



FLANGE INSTALLATION INSTRUCTIONS

1. Install recessed housing assembly into wall per installation instructions illustrated on sheets 2 and 3.
2. Apply caulk/adhesive along edge of tile in the gap between raised edge of recessed housing assembly and tile. Make sure caulk is slightly above face of tile so trim flange can adhere.
3. Slide trim flange over back of fixture assembly with inner bends facing recessed housing.
4. Replace lamping assembly mounting screw with longer 1-1/2" long #6 allen drive cap screw (supplied by VISA) by removing diffuser retainer set screws with a 1/16" hex drive.
5. Install fixture assembly per Voila installation instructions.
Note: Center trim flange around fixture assembly, tighten screws and allow caulk/adhesive to dry.

Drawing: 762288XX

Rev: B

Sheet: 4 of 5

Eng: TJJ

Date Drawn: 10/04/2017

When using electrical equipment, basic safety precautions should always be followed, including the following:

- Read all instructions carefully before installing and save for future use.
- Make sure all connections are in accordance with the National Electrical Code and local regulations.
- To avoid possible electric shock, be sure the power supply is turned off before servicing or installing the fixture.
- Service should be performed by qualified personnel.
- These instructions may not cover all details or variations. If additional information is needed, please contact Visa Lighting.

INSTALLATION INSTRUCTIONS

Model: **VOILA/WAND/DECK RECESSED**
Fixture Family: **MYSTIQUE**
Document Description: Installation Instructions for
Mystique Series Luminaires

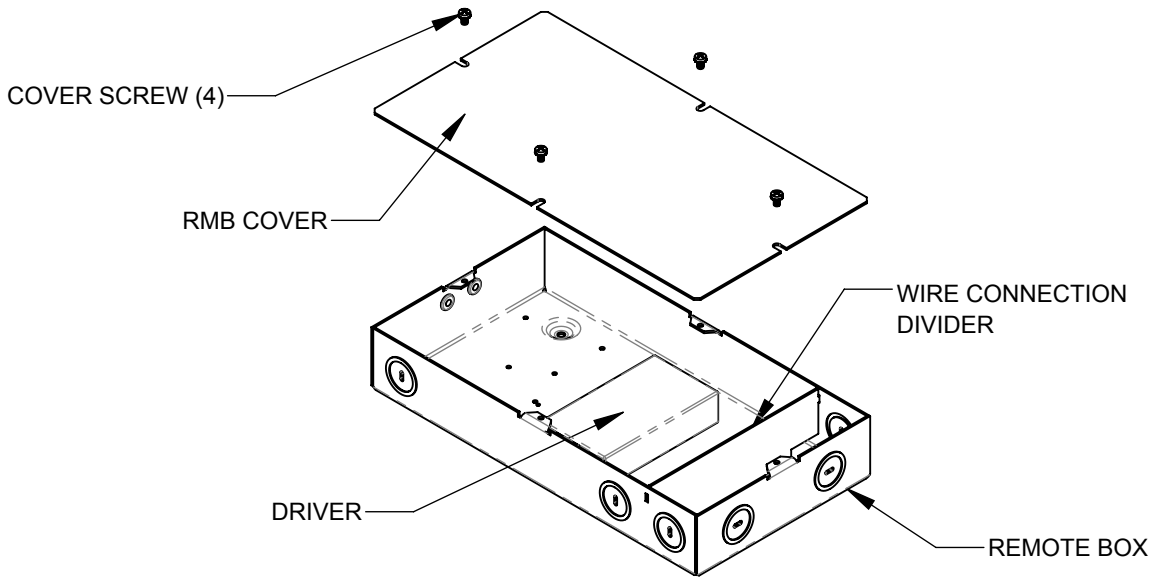
VISA LIGHTING
AN OLDENBURG GROUP COMPANY
1717 West Civic Drive Milwaukee, WI 53209
414-354-6600
Design Modification Rights Reserved
© Visa Lighting

RMB Option, Remote Power Supply Box

INSTRUCTIONS

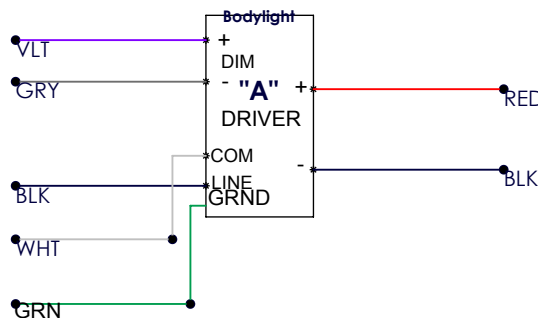
Note: Components may vary depending on options ordered.

1. Remove cover by removing the (4) cover screws.
2. Mount remote box in an accessible area per local and national codes, use fasteners appropriate for the mounting surface (by others).
3. Make class 2 output connections.
4. Make line voltage connections in compartment (if provided).



WIRING DIAGRAMS

THE "+" AND "-" LEADS MUST CONNECT TO THE SAME CIRCUIT. MATCH WIRE LABELS FROM FIXTURE.



See wiring labels for details.

Drawing: 762288XX

Rev: B

Sheet: 5 of 5

Eng: TJQ

Date Drawn: 10/04/2017

When using electrical equipment, basic safety precautions should always be followed, including the following:

- Read all instructions carefully before installing and save for future use.
- Make sure all connections are in accordance with the National Electrical Code and local regulations.
- To avoid possible electric shock, be sure the power supply is turned off before servicing or installing the fixture.
- Service should be performed by qualified personnel.
- These instructions may not cover all details or variations. If additional information is needed, please contact Visa Lighting.