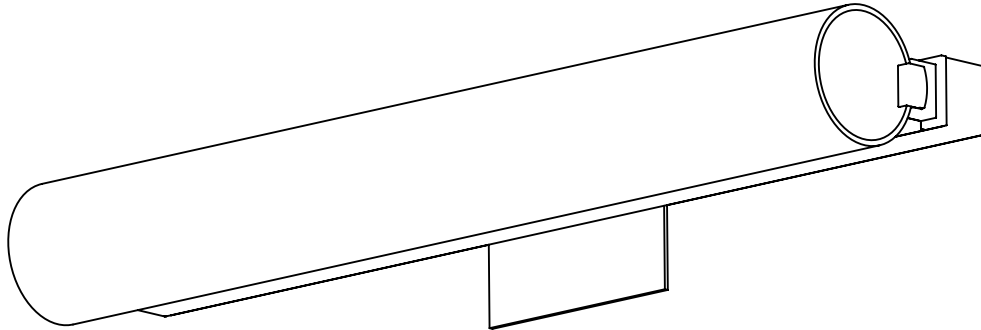


# INSTALLATION INSTRUCTIONS

Model: **VOILA/WAND/DECK SURFACE MOUNT**  
Fixture Family: **MYSTIQUE**  
Document Description: Installation Instructions for  
Mystique Series Luminaires

 **VISA LIGHTING**  
1717 West Civic Drive Milwaukee, WI 53209  
414-354-6600  
Design Modification Rights Reserved  
© Visa Lighting



\*STYLE MAY VARY  
CV4161 SHOWN

## VOILA SURFACE MOUNT

<b>CV4160</b>	<b>CV4161</b>
<b>CV4162</b>	<b>CV4165</b>
<b>CV4166</b>	<b>CV4167</b>

## WAND SURFACE MOUNT

**CV4185**  
**CV4186**

## DECK SURFACE MOUNT

<b>CB1972</b>	<b>CB1975</b>
<b>CB1978</b>	<b>CB1980</b>

Drawing: 762289XX

Rev: C

Sheet: 1 of 4

Eng: TJD

Date Drawn: 10/04/2017

 When using electrical equipment, basic safety precautions should always be followed, including the following:

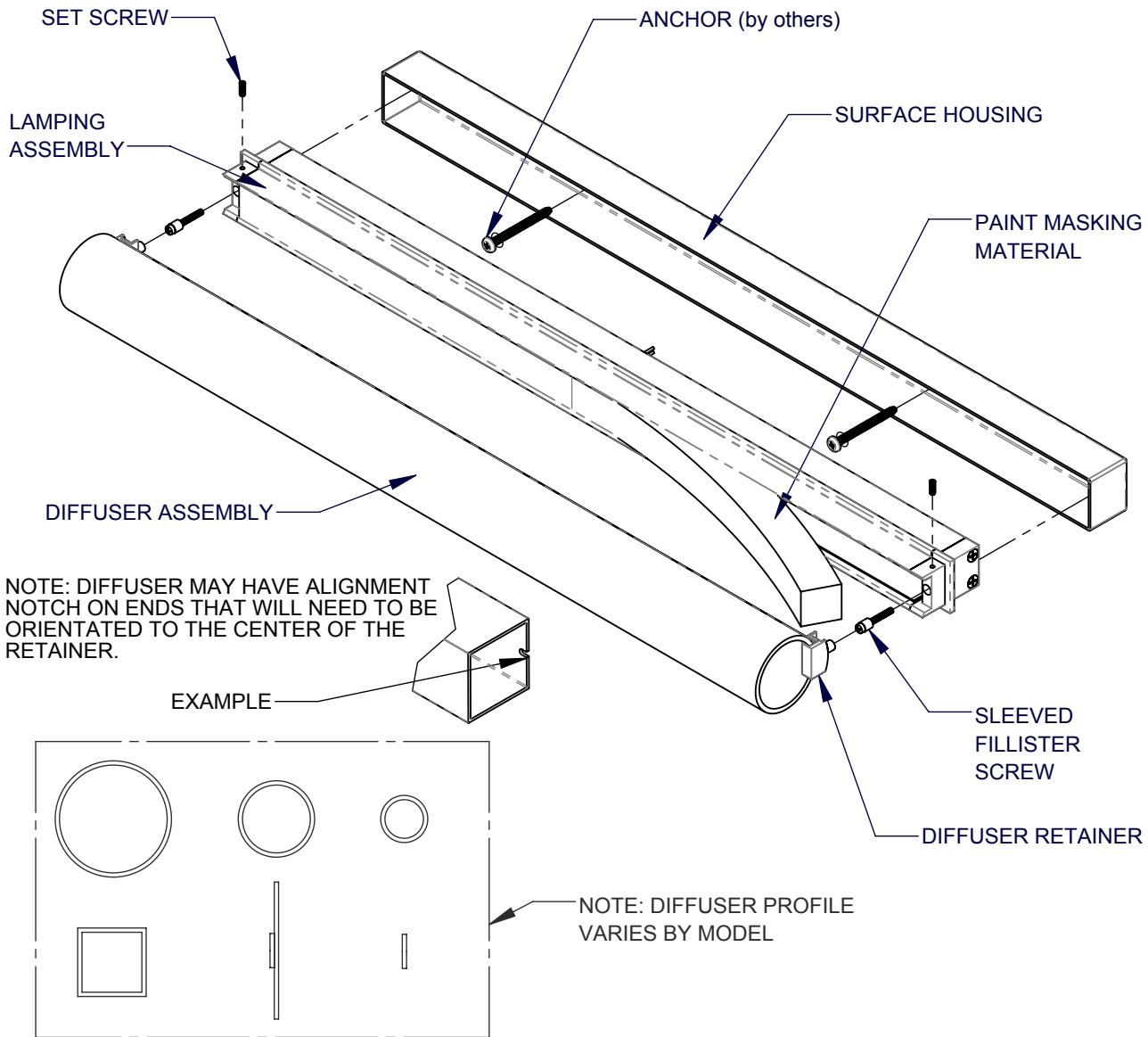
- Read all instructions carefully before installing and save for future use.
- Make sure all connections are in accordance with the National Electrical Code and local regulations.
- To avoid possible electric shock, be sure the power supply is turned off before servicing or installing the fixture.
- Service should be performed by qualified personnel.
- These instructions may not cover all details or variations. If additional information is needed, please contact Visa Lighting.

# INSTALLATION INSTRUCTIONS

Model: VOILA/WAND/DECK SURFACE MOUNT  
Fixture Family: MYSTIQUE  
Document Description: Installation Instructions for  
Mystique Series Luminaires

**VISA LIGHTING**  
1717 West Civic Drive Milwaukee, WI 53209  
414-354-6600  
Design Modification Rights Reserved  
© Visa Lighting 2016

## SURFACE MOUNT FIXTURE



**NOTE: IF FIXTURE WAS SUPPLIED PRIME PAINTED AND FINAL PAINT WILL BE AT INSTALLATION, REMOVE MASKING BLOCK PRIOR TO OPERATION.**

1. Locate desired wall opening for power feed and drill 1/2" hole.
2. Route power wires from fixture into power feed hole.
3. Mount junction box cover (see page 3) with surface mounting to wall with hardware suitable for mounting surface.  
**Note: Make sure surface housing is level before securing to wall.**
4. Slide lamping assembly into surface housing. Secure in place with sleeved fillister screw (2).
5. Slide diffuser assembly onto lamping assembly, aligning posts into holes in lamping assembly ends and secure with set screws using a 1/16" hex drive.

When using electrical equipment, basic safety precautions should always be followed, including the following:

- Read all instructions carefully before installing and save for future use.
- Make sure all connections are in accordance with the National Electrical Code and local regulations.
- To avoid possible electric shock, be sure the power supply is turned off before servicing or installing the fixture.
- Service should be performed by qualified personnel.
- These instructions may not cover all details or variations. If additional information is needed, please contact Visa Lighting.

Drawing: 762289XX

Rev: C

Sheet: 2 of 4

Eng: TJD

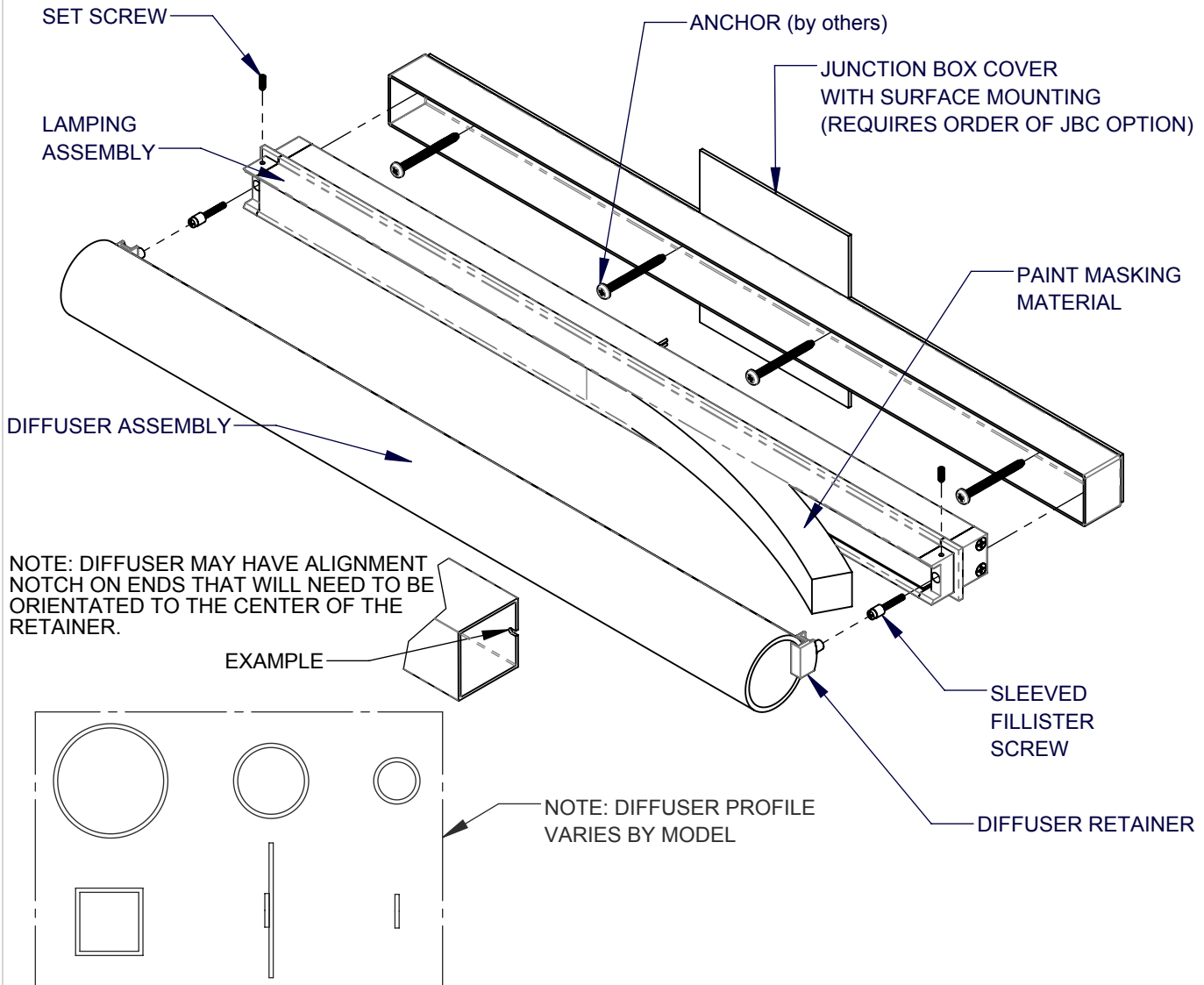
Date Drawn: 10/04/2017

# INSTALLATION INSTRUCTIONS

Model: VOILA/WAND/DECK SURFACE MOUNT  
Fixture Family: MYSTIQUE  
Document Description: Installation Instructions for  
Mystique Series Luminaires

**VISA LIGHTING**  
1717 West Civic Drive Milwaukee, WI 53209  
414-354-6600  
Design Modification Rights Reserved  
© Visa Lighting

## SURFACE MOUNT FIXTURE WITH JBOX COVER



**NOTE: IF FIXTURE WAS SUPPLIED PRIME PAINTED AND FINAL PAINT WILL BE AT INSTALLATION, REMOVE MASKING BLOCK PRIOR TO OPERATION.**

1. Locate desired wall opening for power feed and drill 1/2" hole.
2. Route power wires from fixture into power feed hole.
3. Mount junction box cover with surface mounting to wall with hardware suitable for mounting surface. **Note: Make sure surface mounting is level before securing to wall.**
4. Slide lamping assembly into surface housing assembly (see page 2). Secure in place with sleeved fillister screw (2).
5. Slide diffuser assembly onto lamping assembly, aligning posts into holes in lamping assembly ends and secure with set screws using a 1/16" hex drive.

When using electrical equipment, basic safety precautions should always be followed, including the following:

- Read all instructions carefully before installing and save for future use.
- Make sure all connections are in accordance with the National Electrical Code and local regulations.
- To avoid possible electric shock, be sure the power supply is turned off before servicing or installing the fixture.
- Service should be performed by qualified personnel.
- These instructions may not cover all details or variations. If additional information is needed, please contact Visa Lighting.

Drawing: 762289XX

Rev: C

Sheet: 3 of 4

Eng: TJQ

Date Drawn: 10/04/2017

# INSTALLATION INSTRUCTIONS

Model: **VOILA/WAND/DECK SURFACE MOUNT**  
Fixture Family: **MYSTIQUE**  
Document Description: Installation Instructions for  
Mystique Series Luminaires

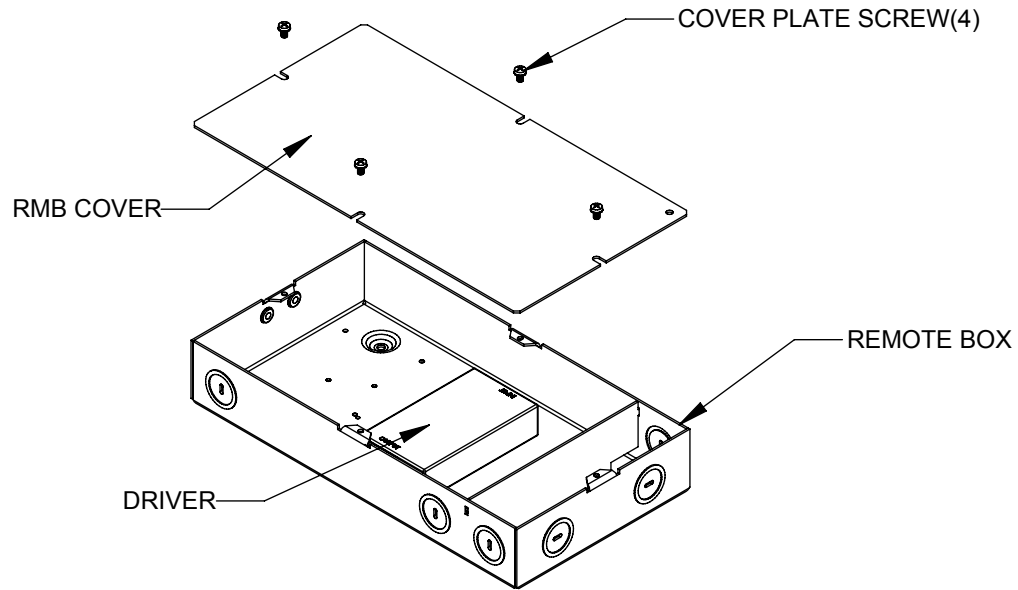
**VISA LIGHTING**  
1717 West Civic Drive Milwaukee, WI 53209  
414-354-6600  
Design Modification Rights Reserved  
© Visa Lighting

## RMB Option, Remote Power Supply Box

### INSTRUCTIONS

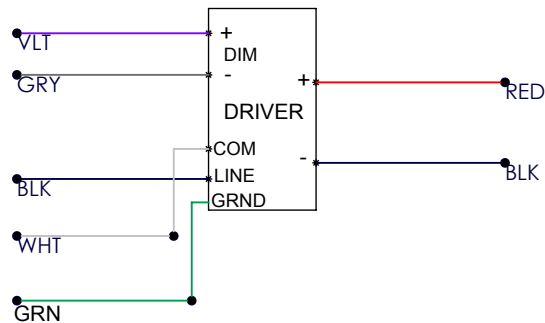
Note: Components may vary depending on options ordered.

1. Remove cover by removing the (4) cover screws.
2. Mount remote box in an accessible area per local and national codes. Use fasteners appropriate for the mounting surface (by others).
3. Make class 2 output connections.
4. Make line voltage connections in compartment (if provided).



### WIRING DIAGRAMS

THE "+" AND "-" LEADS MUST CONNECT TO THE SAME CIRCUIT. MATCH WIRE LABELS FROM FIXTURE.



See wiring labels for details.

Drawing: 762289XX

Rev: C

Sheet: 4 of 4

Eng: TJQ

Date Drawn: 10/04/2017



When using electrical equipment, basic safety precautions should always be followed, including the following:

- Read all instructions carefully before installing and save for future use.
- Make sure all connections are in accordance with the National Electrical Code and local regulations.
- To avoid possible electric shock, be sure the power supply is turned off before servicing or installing the fixture.
- Service should be performed by qualified personnel.
- These instructions may not cover all details or variations. If additional information is needed, please contact Visa Lighting.