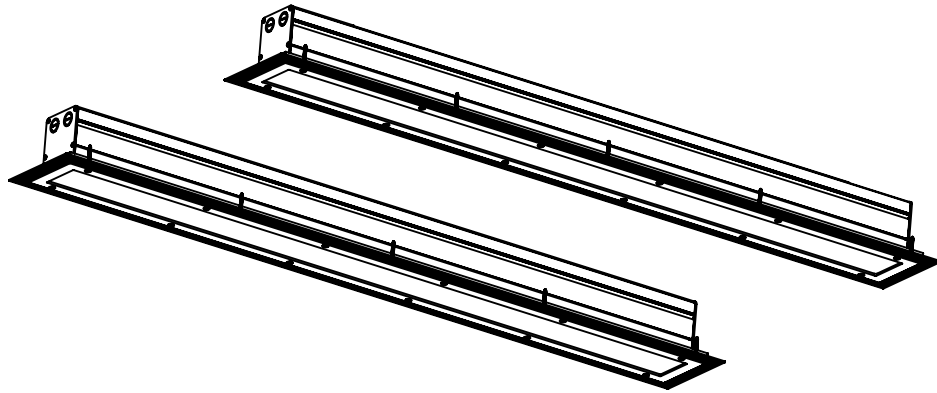


# INSTALLATION INSTRUCTIONS

Model: **CM2062**  
Fixture Family: **LENGA BEHAVIORAL HEALTH**  
Document Description: Installation Instructions for  
LENGA Series Luminaires

 **VISA LIGHTING**  
AN OLDENBURG GROUP COMPANY  
1717 West Civic Drive Milwaukee, WI 53209  
414-354-6600  
Design Modification Rights Reserved  
© Visa Lighting 2019



## LENGA - OVERBED BEHAVIORAL HEALTH SLOT FIXTURES CM2062

PAGE 2  
DRYWALL CUTOUT DIMENSIONS

PAGE 3  
MUD FLANGE INSTALLATION

PAGE 4  
FIXTURE ORIENTATION

PAGE 5  
LAMPING REMOVAL/INSTALLATION

PAGE 6  
LAMPING INSTALLATION

PAGE 7  
LENS INSTALLATION

Drawing: 762323XX

Rev: A

Sheet: 1 of 7

Eng: TJQ

Date Drawn: 9/18/19

 When using electrical equipment, basic safety precautions should always be followed, including the following:

- Read all instructions carefully before installing and save for future use.
- Make sure all connections are in accordance with the National Electrical Code and local regulations.
- To avoid possible electric shock, be sure the power supply is turned off before servicing or installing the fixture.
- Service should be performed by qualified personnel.
- These instructions may not cover all details or variations. If additional information is needed, please contact Visa Lighting.

# INSTALLATION INSTRUCTIONS

Model: **CM2062**  
 Fixture Family: **LENGA BEHAVIORAL HEALTH**  
 Document Description: Installation Instructions for  
 LENGA Series Luminaires

**IMPORTANT INSTALLATION NOTICE:**

- \* BEHAVIORAL HEALTH INSTALLATIONS OFTEN REQUIRE FACILITY APPROVAL AND INVOLVEMENT. PLEASE CHECK WITH OWNERSHIP TO ENSURE A PROPER INSTALLATION BEFORE PROCEEDING.
- \* Proper installation must incorporate structural blocking per guidelines below, which provides the necessary strength against unintended impact forces.

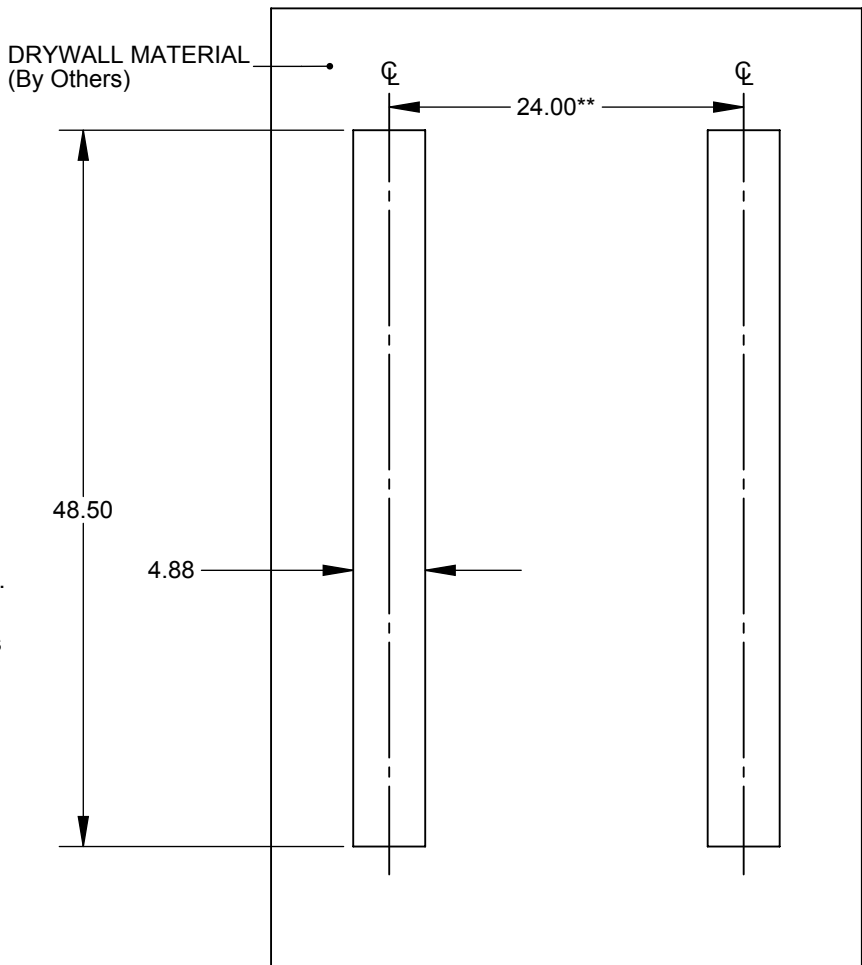
**CAUTIONS:**

Before affixing the drywall, loose-fit the mud flange (see pg 3) to make sure its fastener locations are clear of any interference and double check that the fixture body will clear any obstructions behind the mounting surface.

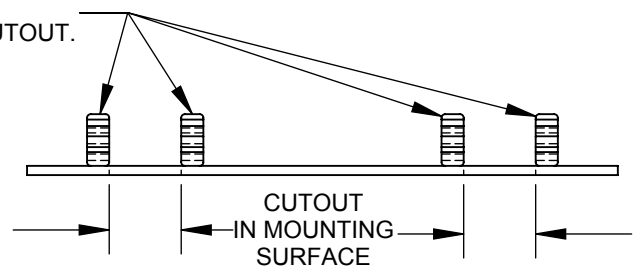
Likewise, plan drywall screw locations that will not interfere with the mud flange fasteners.

The Mud-flange forms a barrier to fluids (IP64) when installed correctly. There is to be no gaps in drywall mud to the flange lip.

\*\* 24" Center to Center distance provides the proper patient bed illumination at a ceiling height 6' above the bed surface. Consult a lighting designer for other ceiling heights.



STRUCTURAL BLOCKING ON BOTH SIDES OF EACH CUTOUT.

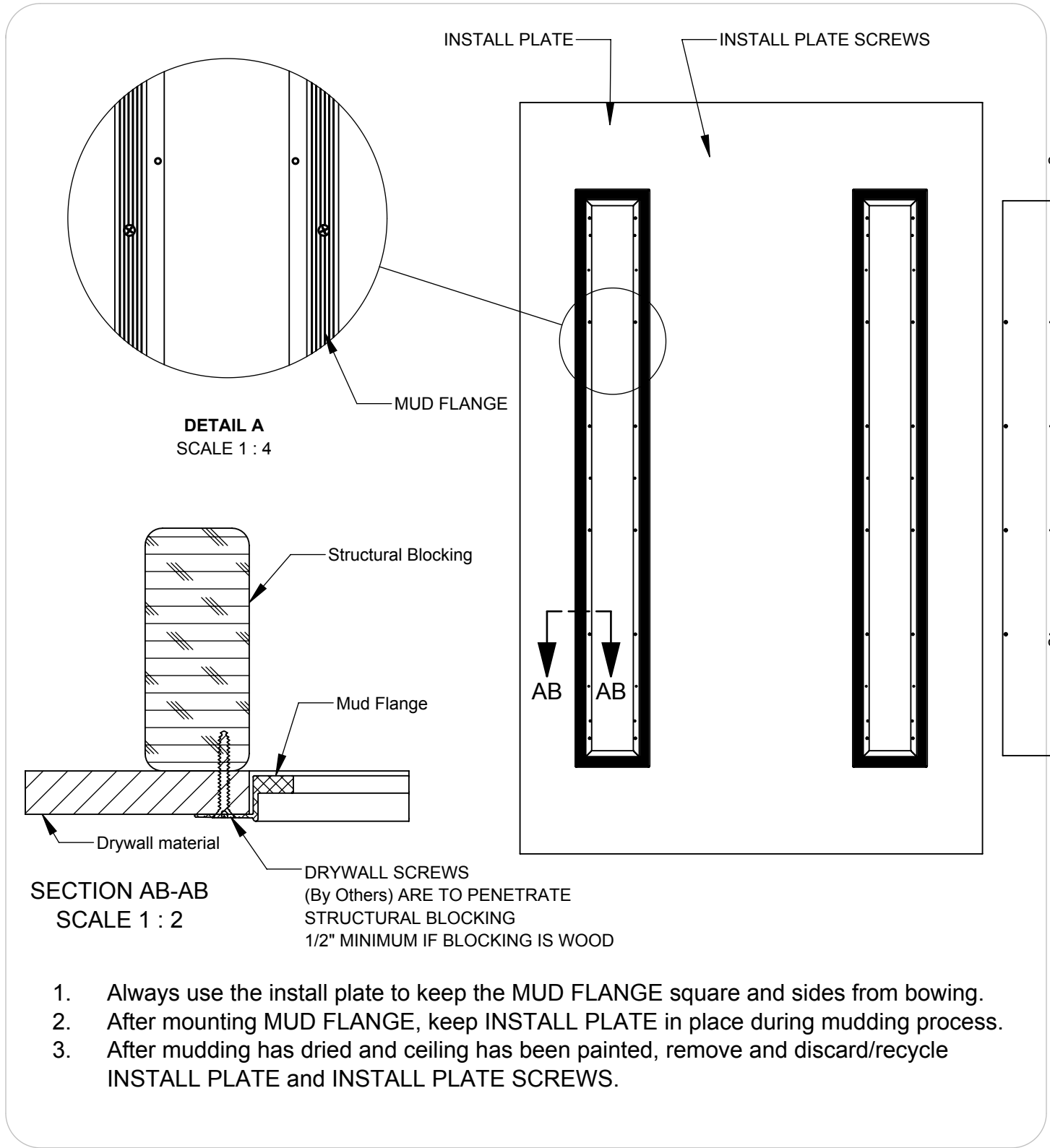


**MOUNTING SURFACE SECTION**

- When using electrical equipment, basic safety precautions should always be followed, including the following:
- Read all instructions carefully before installing and save for future use.
  - Make sure all connections are in accordance with the National Electrical Code and local regulations.
  - To avoid possible electric shock, be sure the power supply is turned off before servicing or installing the fixture.
  - Service should be performed by qualified personnel.
  - These instructions may not cover all details or variations. If additional information is needed, please contact Visa Lighting.

# INSTALLATION INSTRUCTIONS

Model: **CM2062**  
Fixture Family: **LENGA BEHAVIORAL HEALTH**  
Document Description: Installation Instructions for  
LENGA Series Luminaires



Drawing: 762323XX Rev: A Sheet: 3 of 7 Evg: TJO Date Drawn: 9/18/19

**!** When using electrical equipment, basic safety precautions should always be followed, including the following:

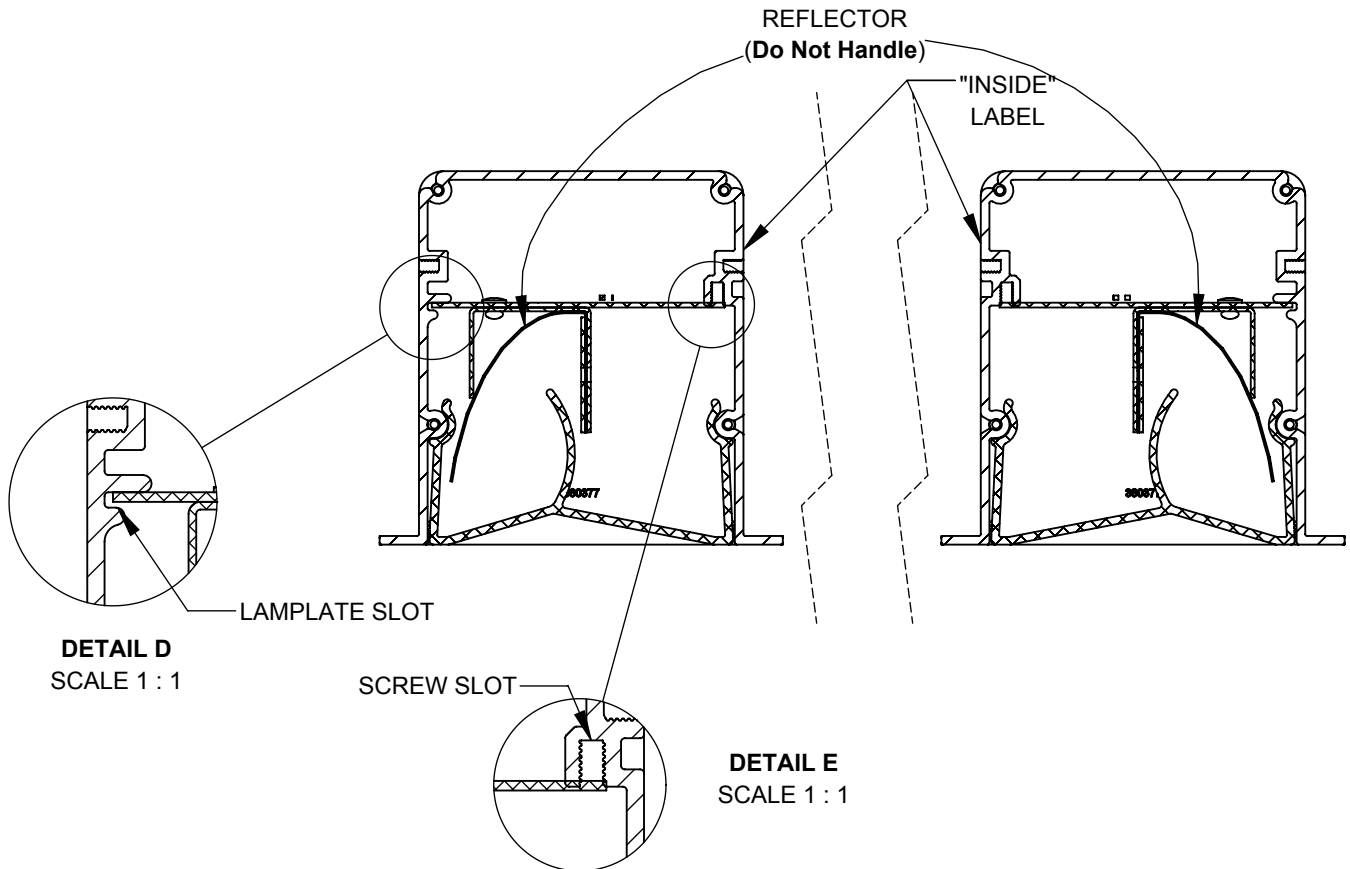
- Read all instructions carefully before installing and save for future use.
- Make sure all connections are in accordance with the National Electrical Code and local regulations.
- To avoid possible electric shock, be sure the power supply is turned off before servicing or installing the fixture
- Service should be performed by qualified personnel.
- These instructions may not cover all details or variations. If additional information is needed, please contact Visa Lighting.

# INSTALLATION INSTRUCTIONS

Model: **CM2062**  
Fixture Family: **LENGA BEHAVIORAL HEALTH**  
Document Description: Installation Instructions for  
LENGA Series Luminaires

**VISA LIGHTING**  
AN OLDENBURG GROUP COMPANY  
1717 West Civic Drive Milwaukee, WI 53209  
414-354-6600  
Design Modification Rights Reserved  
© Visa Lighting

## FIXTURE ORIENTATION



### **FIXTURES MUST BE INSTALLED IN THE PROPER ORIENTATION!!**

1. Each housing unit has lable indicating the "INSIDE".
2. The "inside" labels **must** face each other when installed to optically perform as intended
3. Electrical connections can be made at either end of the housing units, and knockouts have been provided to allow separation of wires for each circuit, if desired.
4. Each housing has a slot that the lamping rests in (Detail D) and is fastened by screws in a slot on the other side (Detail E). These features can help confirm proper installation of the housings.

When using electrical equipment, basic safety precautions should always be followed, including the following:

- Read all instructions carefully before installing and save for future use.
- Make sure all connections are in accordance with the National Electrical Code and local regulations.
- To avoid possible electric shock, be sure the power supply is turned off before servicing or installing the fixture
- Service should be performed by qualified personnel.
- These instructions may not cover all details or variations. If additional information is needed, please contact Visa Lighting.

Drawing: 762323XX

Rev: A

Sheet: 4 of 7

Eng: TJO

Date Drawn: 9/18/19

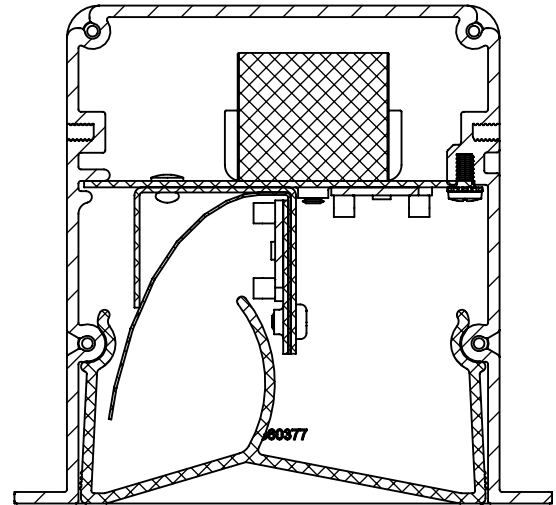
# INSTALLATION INSTRUCTIONS

Model: **CM2062**  
Fixture Family: **LENGA BEHAVIORAL HEALTH**  
Document Description: Installation Instructions for  
LENGA Series Luminaires

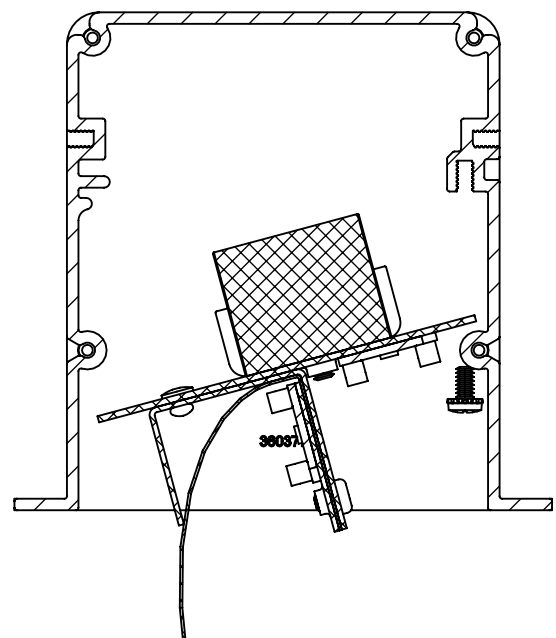
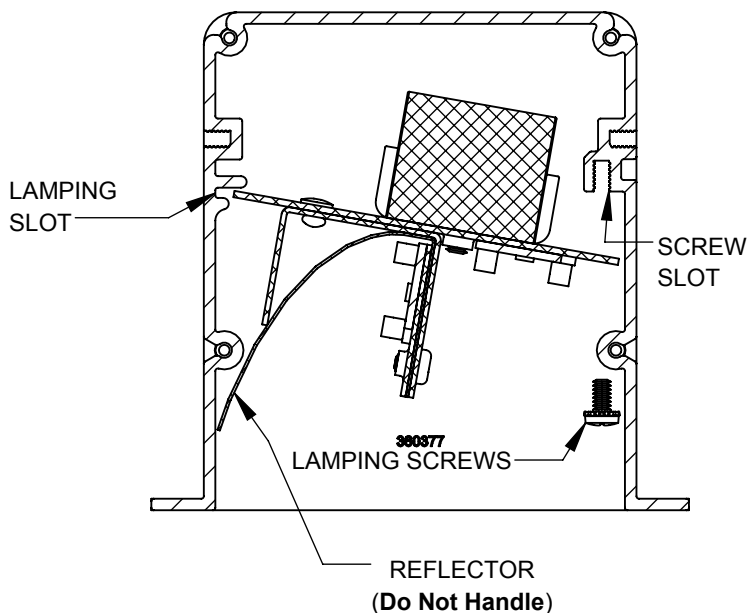
**VISA LIGHTING**  
AN OLDENBURG GROUP COMPANY  
1717 West Civic Drive Milwaukee, WI 53209  
414-354-6600  
Design Modification Rights Reserved  
© Visa Lighting

## LAMPING REMOVAL/INSTALLATION

1. Before installing the housing, remove lens with a small putty knife.
2. Each housing has a slot that the lamping rests in and is fastened by screws in a screw slot on the other side.
3. **DO NOT HANDLE LAMPING BY THE REFLECTOR!**
4. Remove lamping screws and tilt lamping out of the lamping slot.
5. Rotate lamping to allow it to pass internal housing features.
6. Reverse the process to reinstall lamping after housing installation.



PRY OUT LENS USING SMALL  
PUTTY KNIFE INSERTED HERE  
NEAR END OF FIXTURE



Drawing: 762323XX

Rev: A

Sheet: 5 of 7

Eng: TJD

Date Drawn: 9/18/19

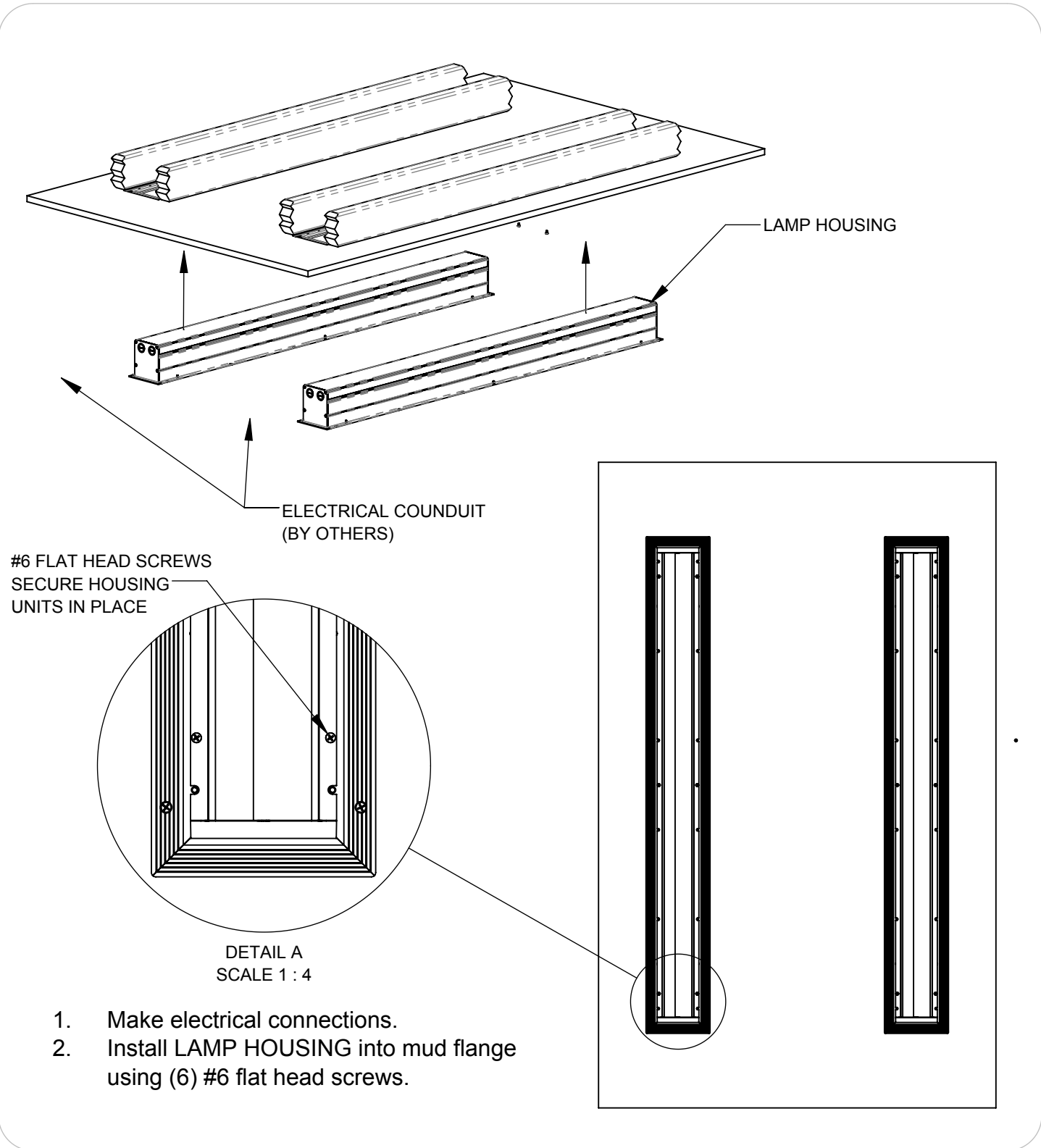
When using electrical equipment, basic safety precautions should always be followed, including the following:

- Read all instructions carefully before installing and save for future use.
- Make sure all connections are in accordance with the National Electrical Code and local regulations.
- To avoid possible electric shock, be sure the power supply is turned off before servicing or installing the fixture.
- Service should be performed by qualified personnel.
- These instructions may not cover all details or variations. If additional information is needed, please contact Visa Lighting.

# INSTALLATION INSTRUCTIONS

Model: **CM2062**  
Fixture Family: **LENGA BEHAVIORAL HEALTH**  
Document Description: Installation Instructions for  
LENGA Series Luminaires

**VISA LIGHTING**  
AN OLDENBURG GROUP COMPANY  
1717 West Civic Drive Milwaukee, WI 53209  
414-354-6600  
Design Modification Rights Reserved  
© Visa Lighting



Drawing: 762323XX

Rev: A

Sheet: 6 of 7

Eng: TJQ

Date Drawn: 9/18/19



When using electrical equipment, basic safety precautions should always be followed, including the following:

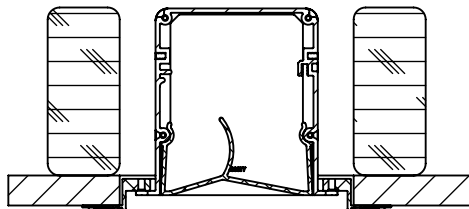
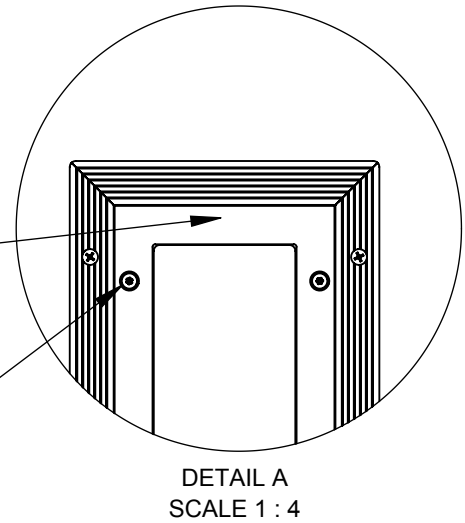
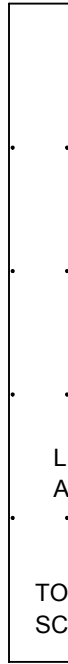
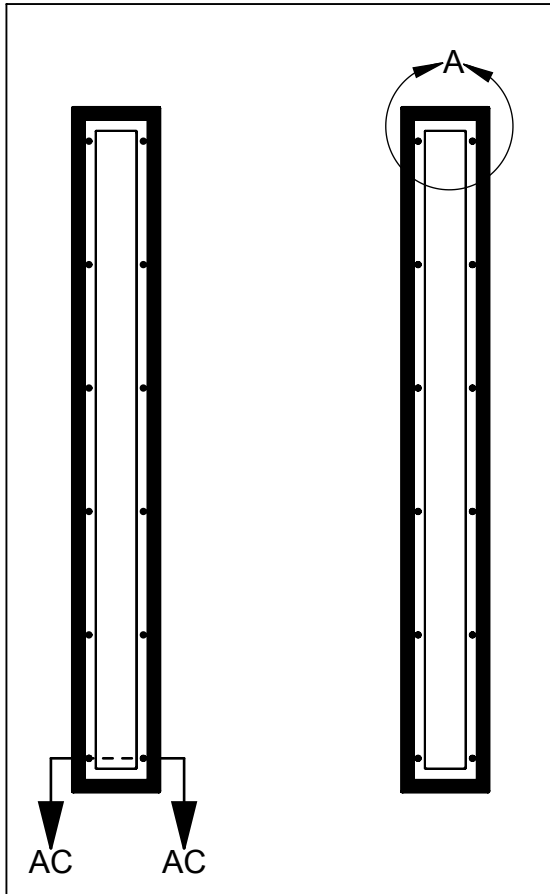
- Read all instructions carefully before installing and save for future use.
- Make sure all connections are in accordance with the National Electrical Code and local regulations.
- To avoid possible electric shock, be sure the power supply is turned off before servicing or installing the fixture.
- Service should be performed by qualified personnel.

• These instructions may not cover all details or variations. If additional information is needed, please contact Visa Lighting.

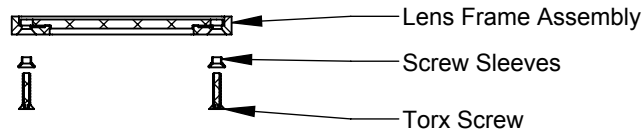
# INSTALLATION INSTRUCTIONS

Model: **CM2062**  
 Fixture Family: **LENGA BEHAVIORAL HEALTH**  
 Document Description: Installation Instructions for  
 LENGA Series Luminaires

1. Install LENS FRAME using #8 tamper resistant TORX SCREWS and plastic SCREW SLEEVES.  
 Note: These Screw Sleeves are required and form part of the liquid barrier when installed as intended
2. The head of the TORX SCREW should be flush with the LENS FRAME to achieve proper ligature resistance.



SECTION AC-AC  
 SCALE 1 : 4



Drawing: 762323XX

Rev: A

Sheet: 7 of 7

Eng: TJD

Date Drawn: 9/18/19



When using electrical equipment, basic safety precautions should always be followed, including the following:

- Read all instructions carefully before installing and save for future use.
- Make sure all connections are in accordance with the National Electrical Code and local regulations.
- To avoid possible electric shock, be sure the power supply is turned off before servicing or installing the fixture
- Service should be performed by qualified personnel.
- These instructions may not cover all details or variations. If additional information is needed, please contact Visa Lighting.