

# SEQUENCE™ SQUARE

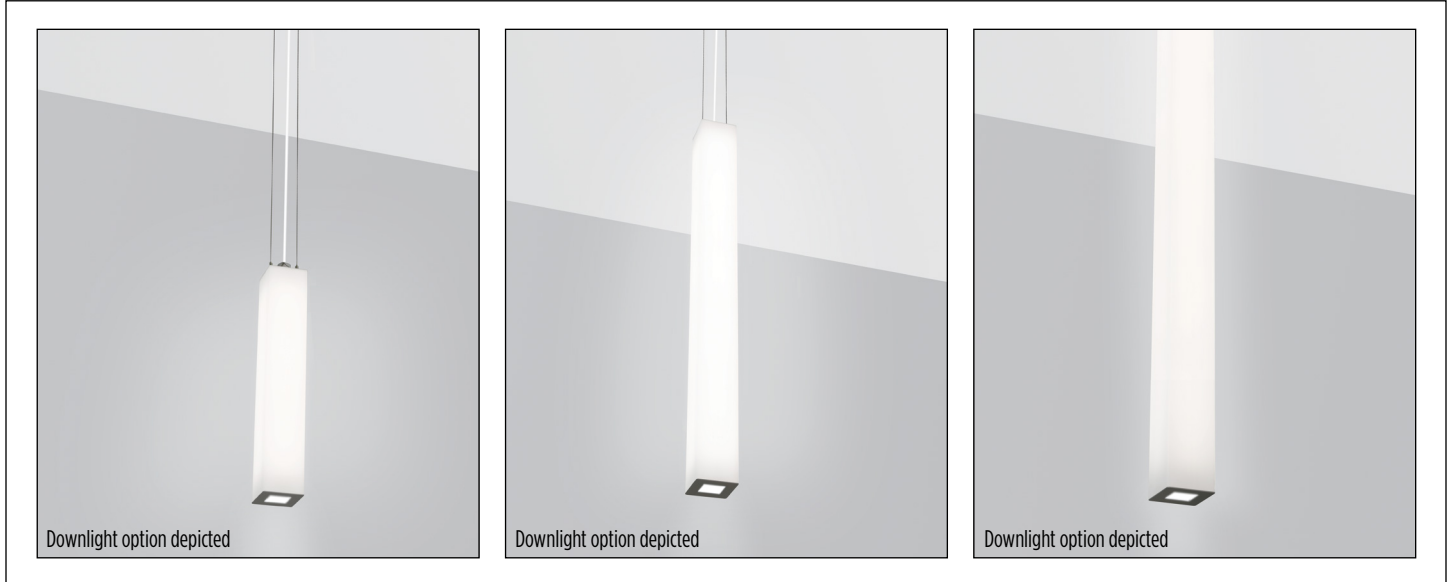
CP5820/CP5822/CP5824/CP5826/CP5828/CP5830

Indoor pendants — 4” Width



[VisaLighting.com/products/Sequence-Square](https://VisaLighting.com/products/Sequence-Square)

Type: \_\_\_\_\_ Project: \_\_\_\_\_ Location: \_\_\_\_\_



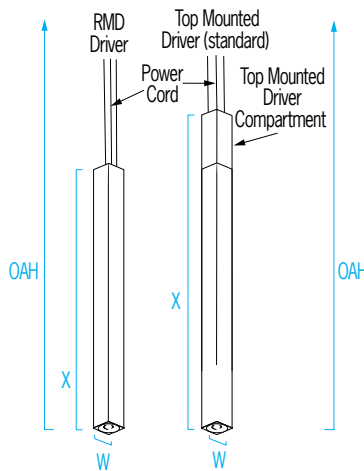
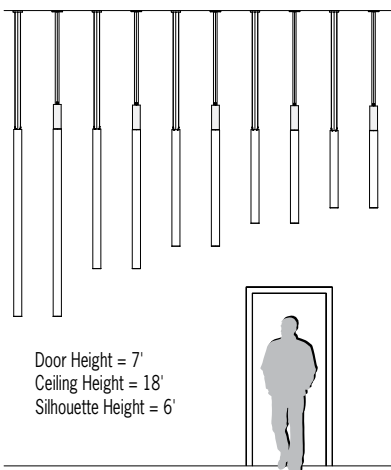
### DIMENSIONS<sup>1,6</sup>

OAH is the distance (in inches) from the bottom of the fixture to the ceiling plane. Example - OAH(192) indicates an overall fixture height of 192"

W = Width OAH = Overall Height X = Body Height WT = Weight

	CP5820	CP5822	CP5824	CP5826	CP5828	CP5830
<b>W</b>	4-1/2" (114 mm)					
<b>Standard OAH</b>	192" (4877 mm)					
<b>X with white LED source</b>						
<b>Top Mount Driver</b>	34-1/4" (870 mm)	45-1/8" (1146 mm)	55-7/8" (1419 mm)	70-7/8" (1800 mm)	81-5/8" (2073 mm)	103-1/4" (2623 mm)
<b>Remote Driver (RMD)</b>	25-3/4" (654 mm)	36-5/8" (930 mm)	47-3/8" (1203 mm)	58-1/4" (1480 mm)	69" (1753 mm)	90-5/8" (2302 mm)
<b>X with RGB source</b>						
<b>Top Mount Driver</b>	34-1/4" (870 mm)	46-1/8" (1172 mm)	58" (1473 mm)	76-1/4" (1937 mm)	82-1/8" (2086 mm)	106-1/8" (2696 mm)
<b>Remote Driver (RMD)</b>	21-1/2" (546 mm)	33-5/8" (854 mm)	45-3/8" (1152 mm)	63-5/8" (1616 mm)	69-1/2" (1765 mm)	93-1/2" (2375 mm)
<b>WT</b>	8 lbs	9 lbs	10 lbs	12 lbs	14 lbs	16 lbs

### RELATIVE SCALE DRAWING



### FEATURES

- Top mounted driver is standard; Optional remote driver mountable up to 20' maximum distance
- Color changing RGB LED is DMX-512 compatible (controls by others). See DMX detail
- Optional LED downlight, 0-10V dimmable (controls by others), with narrow, medium or wide optical distribution options
- Power cord is white; suspension cables are stainless steel
- Canopy/Cord/Cable can be shipped ahead to speed installation
- Mounts to standard electrical junction box (by others) with provided hardware
- Matte white acrylic body
- No VOC powder coat paint
- ETL listed for damp locations. Not suited for exterior applications



# SEQUENCE SQUARE (cont.)

CP5820/CP5822/CP5824/CP5826/CP5828/CP5830

Indoor pendants — 4” Width



Fill in shaded boxes using information listed below

— MVOLT

<b>MODEL<sup>1</sup></b> CP5820 CP5822 CP5824 CP5826 CP5828 CP5830  <i>See page 1</i>	<b>BODYLIGHT<sup>2</sup></b> L30K L35K L40K RGB	<b>DOWNLIGHT<sup>3</sup></b> (Optional) L30K L35K L40K	<b>VOLTAGE</b> MVOLT	<b>DOWNLIGHT<sup>4</sup></b> <b>OPTICS</b> (Optional) MED NRW WIDE  <i>Bottom has square aperture with glow when no downlight specified</i>	<b>CANOPY FINISH</b>  <i>See last page for finish order codes</i>  <i>Downlight compartment painted to match</i>	<b>OPTION<sup>5</sup></b> RMD	<b>OAH<sup>6</sup></b>  <i>See page 1</i>
---	---	--	-------------------------	--	--	----------------------------------	---

**BODYLIGHT SOURCE<sup>2</sup>** (Select one)

White LEDs dimmable 0-10V to 1%, Minimum 83CRI, within 3-step MacAdam

Source	CCT	CP5820		CP5822		CP5824		CP5826		CP5828		CP5830	
		Delivered Lumens	Power/Watts	Delivered Lumens	Power/Watts	Delivered Lumens	Power/Watts	Delivered Lumens	Power/Watts	Delivered Lumens	Power/Watts	Delivered Lumens	Power/Watts
L30K	3000K	1200	11	2200	20	2900	26	3900	37	4500	43	6100	57
L35K	3500K												
L40K	4000K												
RGB			12		20		28		40		44		60

Bodylight and downlight are separately switched and controlled/dimmed

**DOWNLIGHT SOURCE<sup>3</sup>**

Bottom has square aperture for airflow and glow when no downlight specified

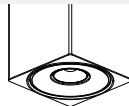
Source	CCT	Delivered Lumens	Power/Watts
L30K	3000K	1800	18
L35K	3500K	1800	
L40K	4000K	1900	

**VOLTAGE**

MVOLT	120-277V, 50/60 Hz
-------	--------------------

**DOWNLIGHT DETAIL**

Rim and Bezel are Painted White



**BODYLIGHT LUMEN MAINTENANCE RATING**

L80 (reported)	>60,000 hrs
----------------	-------------

**DOWNLIGHT LUMEN MAINTENANCE RATING**

L80 (reported)	>55,000 hrs
----------------	-------------

**DOWNLIGHT OPTICS<sup>4</sup>**

For downlight only

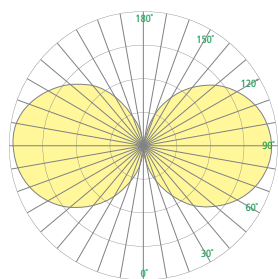
MED	48° Beam
NRW	34° Beam
WIDE	84° Beam

**OPTION<sup>5</sup>**

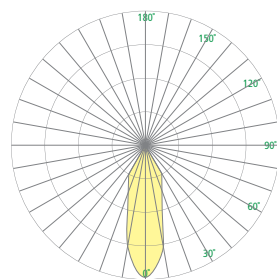
Driver is Top Mounted unless RMD option is selected

<b>RMD</b>	Remote driver box has knock-outs for conduit connection, may be recess mounted with insulation contact (type IC).
------------	---

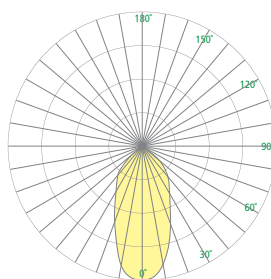
**PHOTOMETRICS**



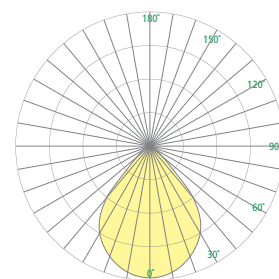
Body Light



NRW 34° Beam



MED 48° Beam



WIDE 84° Beam

# SEQUENCE SQUARE (cont.)

CP5820/CP5822/CP5824/CP5826/CP5828/CP5830

Indoor pendants — 4” Width

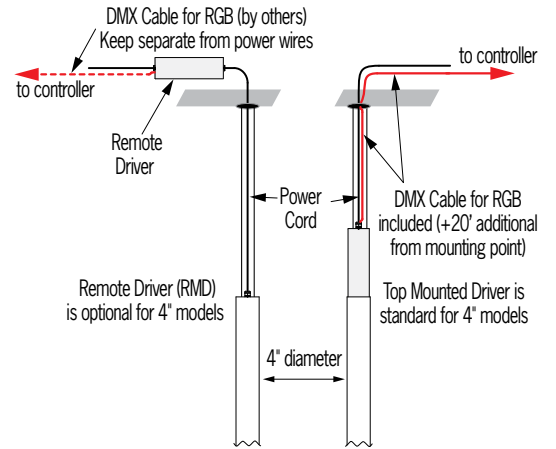


## REMOTE DISTANCE INFORMATION

Model	Maximum Recommended Remote Wiring Distance from RMD to fixture canopy			
	12awg	14awg	16awg	18awg
CP5820	1400	900	550	350
CP5822	750	450	300	175
CP5824	550	350	225	125
CP5826	400	250	150	100
CP5828	350	200	125	75
CP5830	275	175	100	50

Distance measured in feet

## DMX DETAIL



## SEQUENCE SQUARE PRODUCT FAMILY

Indoor Pendants	4" Diameter	CP5820, CP5822, CP5824, CP5826, CP5828, CP5830
	8" Diameter	CP5836, CP5838, CP5840, CP5842, CP5844, CP5846

## SUGGESTED VARIATIONS

- Custom colors

See [Visalighting.com/Products/Sequence-Square](https://www.visalighting.com/Products/Sequence-Square) for more information

# SEQUENCE SQUARE (cont.)

CP5820/CP5822/CP5824/CP5826/CP5828/CP5830

Indoor pendants — 4" Width



## FINISHES

Specify color code when ordering. For accurate color matching, individual paint and finish samples are [available upon request](#).  
For more information about our finishes visit [visalighting.com/finishes](https://visalighting.com/finishes)

### Powder Coat Paint Finishes (Standard)

						
<b>AGGY</b> Agate Grey	<b>ALGN</b> Alpine Green	<b>BJBG</b> Baja Beige	<b>BMAT</b> Bronze Matte	<b>BRNZ</b> Bronze	<b>BSIL</b> Blade Silver	<b>CVBL</b> Cove Blue
						
<b>DEOR</b> Deoro Gold	<b>GLWT</b> Glacier White	<b>GSIL</b> Graphite Silver	<b>HRGR</b> Harbor Grey	<b>JTBK</b> Jet Black	<b>OCBL</b> Ocean Blue	<b>SHGR</b> Shoreline Grey
						
<b>SBGN</b> Sagebrush Green	<b>SLGR</b> Slate Grey	<b>SSTP</b> Sierra Taupe	<b>TRCN</b> Terracotta Canyon	<b>TRWT</b> Traffic White	<b>VBLK</b> Velvet Black	<b>VNRD</b> Vineyard Red