

CB3944 SANIBEL™

High Abuse & Behavioral Health Care


[VisaLighting.com/products/Sanibel](https://www.VisaLighting.com/products/Sanibel)

Type: _____ Project: _____ Location: _____



14" SCONCE - DOWNLIGHT ORIENTATION

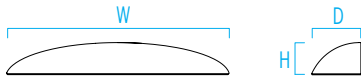
26" SCONCE - VANITY ORIENTATION

DIMENSIONS†

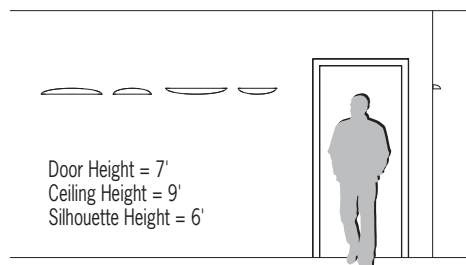
Depth is measured from wall to front of fixture

W = Width H = Height D = Depth

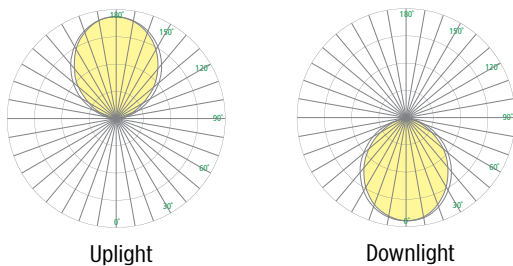
	CB3944-14	CB3944-26
W	14-3/4" (375 mm)	26-1/2" (673 mm)
H	2-1/8" (54 mm)	
D	2-7/8" (73 mm)	3-1/4" (83 mm)



RELATIVE SCALE DRAWING



PHOTOMETRICS



FEATURES

- Die cast aluminum
- Impact resistant polycarbonate lens with inner diffusing layer
- Impact tests performed exceed 100 joules over multiple impacts and include ligature resistance testing after each impact (exceeds IK10 rating requirements)
- High and low lumen output options in downlight orientation
- Ligature resistant when installed in downlight orientation with pick-proof caulk (see [installation instructions](#))
- Mounts to heavy duty, machined solid aluminum junction box (included); Standard junction boxes should not be used (see [installation instructions](#))
- Tamper resistant screws (Pin-In-Torx) standard
- Standard 80+CRI (optional 90+CRI)
- Dimmable 0-10V to 1%
- Remote driver standard and included
- Options available to ship ahead junction box (RB option) or junction box plus remote driver (RB+D option)
- Easily cleaned slim profile
- Non-VOC powder coat paint finish
- IP54 Rated
- ETL listed for wet locations

For Behavioral Health and High Abuse SCONCE Applications

- For Behavioral Healthcare applications, luminaire **must be mounted in downlight orientation only** to avoid risk of ligature points or being used as climbing apparatus

For Behavioral Health and High Abuse VANITY Applications (26" model)

- Recommend 26" model with -H source and -90CRI option for vanity applications.
- For vanity applications, luminaire **must be mounted in downlight orientation**



ADA Compliant



ETL Listed



5 Year Warranty

CB3944 SANIBEL (cont.)

High Abuse & Behavioral Healthcare



Fill in shaded boxes using information listed below

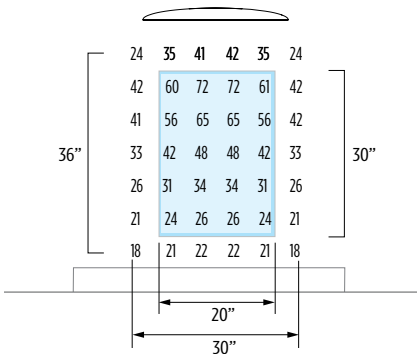
				MVOLT			
MODEL¹ CB3944-14 CB3944-26	SOURCE² L30K(H) L30K(L) L35K(H) L35K(L) L40K(H) L40K(L)	SOURCE OPTION³ 90CRI	VOLTAGE MVOLT	OPTION⁴ RB RB+D	FINISH		
See page 1		Minimum 80CRI is standard if option is not selected			See last page for finish order codes		

SOURCE² (Select one source)

Dimmable 0-10V to 1%, Minimum 80CRI, within 3-step MacAdam

SOURCE	CCT	CB3944-14		CB3944-26	
		Delivered Lumens	Power/Watts	Delivered Lumens	Power/Watts
L30K(H)	3000K	925	25	1715	48
L30K(L)	3000K	450	10	850	16
L35K(H)	3500K	950	25	1750	48
L35K(L)	3500K	475	10	875	16
L40K(H)	4000K	975	25	1800	48
L40K(L)	4000K	475	10	900	16

VANITY ILLUMINANCE



- CB3944-26-L35K(H)-90CRI with LLF = 0.85 used for calculations.
- Illuminance (fc) values are on a vertical plane 18" from the wall.
- Mirror bottom edge is 6" above countertop and fixture bottom edge is 6" above mirror.
- 80/50/20 room reflectances used. Results may vary based on fixture placement, mirror size, and interior finishes.

SOURCE OPTION³

Minimum 80CRI within 3-step MacAdam is standard if option is not selected

90CRI	Color rendering index minimum 90, minimum R9 value of 50 (delivered lumens reduced by 15%)
--------------	--

OPTION⁴ (Select one)

RB	Pre-ship Structural Junction Box
RB+D	Pre-ship Structural Junction Box and Remote Driver Box

VOLTAGE

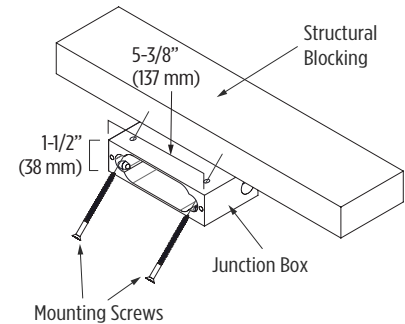
MVOLT	120-277V, 50/60 Hz
--------------	--------------------

LUMEN MAINTENANCE RATING

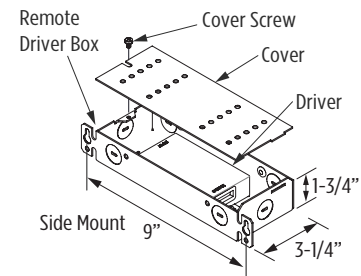
L85 (reported)	≥60,000 hrs
-----------------------	-------------

Reported Lifetime per IES TM-21

HIGH ABUSE STRUCTURAL JUNCTION BOX DETAILS



REMOTE DRIVER DETAILS



Maximum Recommended Remote Wiring Distance from Remote Driver to Fixture

Wire Size AWG	Maximum Remote Distance in Feet	
	CB3944-14	CB3944-26
12GA	500	275
14GA	325	175
16GA	200	100
18GA	125	50

CB3944 SANIBEL (cont.)

High Abuse & Behavioral Health Care



SANIBEL PRODUCT FAMILY

High Abuse/ Behavioral Health	14"	• CB3944-14
	26"	• CB3944-26
Indoor – Non- Behavioral Health	14"	• CB3942-14
	26"	• CB3942-26
Outdoor	14"	• OW3942-14
	26"	• OW3942-26

SUGGESTED VARIATIONS

- Custom colors
- Tunable white
- RGB or RGBW

See [Visalighting.com/products/Sanibel](https://visalighting.com/products/Sanibel) for more information

FINISHES

Specify color code when ordering. For accurate color matching, individual paint and finish samples are [available upon request](#). For more information about our finishes visit visalighting.com/finishes

Powder Coat Paint Finishes (Standard)

						
AGGY Agate Grey	ALGN Alpine Green	BJBG Baja Beige	BMAT Bronze Matte	BRNZ Bronze	BSIL Blade Silver	CVBL Cove Blue
						
DEOR Deoro Gold	GLWT Glacier White	GSIL Graphite Silver	HRGR Harbor Grey	JTBK Jet Black	OCBL Ocean Blue	SHGR Shoreline Grey
						
SBGN Sagebrush Green	SLGR Slate Grey	SSTP Sierra Taupe	TRCN Terracotta Canyon	TRWT Traffic White	VBLK Velvet Black	VNRD Vineyard Red