

CM2500 SYMMETRY™ DL

Behavioral Health/High Abuse 4" Downlight



VisaLighting.com/products/Symmetry-DL

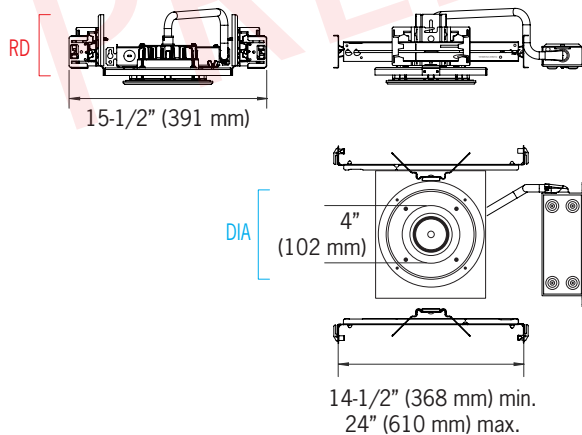
Type: _____ Project: _____ Location: _____



DIMENSIONS⁴

DIA = Diameter RD = Recessed Depth

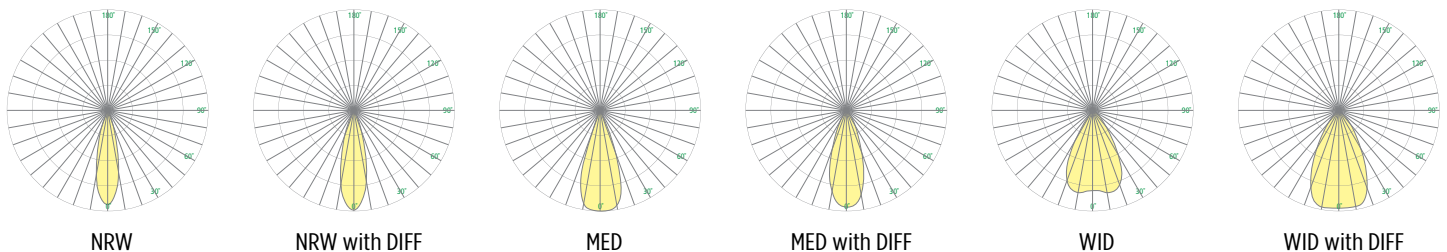
DIA 7" (178 mm)
RD 4-3/4" (121 mm)



FEATURES

- Impact-resistant 1/4" polycarbonate lens with anti-scratch coating
- Machined aluminum trim ring
- Gasketed lens and trim ring
- Cast aluminum light housing
- Tamper resistant hardware
- Stainless steel flat-head pin-in Torx tamper-resistant exposed fasteners
- Matte white reflector
- Mounts to T-bar grid ceilings or drywall ceilings
- Accommodates ceilings from 1/2" to 1-1/2" thick
- Recommend adding pick-resistant caulk around the outer circumference of the trim ring during installation
- Driver may be mounted to rough-in frame, clipped to T-bar grid, mounted to structure, or remote mounted
- 90 CRI standard
- Serviceable after installation through ceiling cutout
- ETL listed for wet locations
- IK10+ impact resistance
- IP65 ingress protection
- Non-VOC powder coat finishes
- Exposed fastener heads painted to match powder coat finish
- Optional antimicrobial clear coat

PHOTOMETRICS



IK10+



IP65 Rated



ETL Listed



5 Year Warranty

CM2500 SYMMETRY DL (cont.)

Behavioral Health/High Abuse 4" Downlight



Fill in shaded boxes using information listed below

CM2500		MVOLT			
MODEL	SOURCE¹	VOLTAGE MVOLT	BEAM OPTION²	FINISH	OPTION(S)³
	L27K(VH) L27K(H) L27K(M) L27K(L) L27K(VL) L30K(VH) L30K(H) L30K(M) L30K(L) L30K(VL) L35K(VH) L35K(H) L35K(M) L35K(L) L35K(VL) L40K(VH) L40K(H) L40K(M) L40K(L) L40K(VL)		NRW MED WIDE	Exposed fastener heads painted to match powder coat finish See last page for finish order codes	AMC DIFF

SOURCE¹ (Select one)

90CRI standard, 0-10V dimmable to 1%

Source	CCT Range	Delivered Lumens**	Power (Watts)
L27K(VH)	2700K	2300	27
L27K(H)	2700K	1850	20
L27K(M)	2700K	1350	14
L27K(L)	2700K	900	9
L27K(VL)	2700K	700	7
L30K(VH)	3000K	2400	27
L30K(H)	3000K	1900	20
L30K(M)	3000K	1400	14
L30K(L)	3000K	950	9
L30K(VL)	3000K	725	7
L35K(VH)	3500K	2500	27
L35K(H)	3500K	2000	20
L35K(M)	3500K	1500	14
L35K(L)	3500K	1000	9
L35K(VL)	3500K	750	7
L40K(VH)	4000K	2600	27
L40K(H)	4000K	2050	20
L40K(M)	4000K	1500	14
L40K(L)	4000K	1025	9
L40K(VL)	4000K	775	7

LUMEN MAINTENANCE RATING

L85	>55,000 hrs
-----	-------------

Reported Lifetime per IES TM-21

BEAM OPTIONS² (Select one)

NRW	26° FWHM (Full width half maximum)
MED	40° FWHM
WIDE	60° FWHM

Optic	Peak CD per 1,000 Del. Lm	
	Standard	With DIFF option
NRW	4,025	2,925
MED	2,075	1,925
WIDE	890	950

DIFF option reduces lumen output by 7%

OPTION(S)³ (Multiple Selections Allowed)

AMC	Antimicrobial coating
DIFF	Diffusing film underlay on bottom lens

CM2500 SYMMETRY DL (cont.)

Behavioral Health/High Abuse 4" Downlight



SUGGESTED VARIATIONS

- Alternate controls/dimming
- Internal color filter/gel

See [Visalighting.com/products/Symmetry-DL](https://visalighting.com/products/Symmetry-DL) for more information

SYMMETRY PRODUCT FAMILY

Behavioral Health – 4" Downlight	CM2500 – 4"
Behavioral Health – Overbed	CM1976-W – 45"
	CM1986-W – 23"
Behavioral Health – General Use	CM1978-W – 45"
	CM1988-W – 23"
Behavioral Health – Tunable	CM1978-T – 45"
	CM1988-T – 23"
Overbed	CM1970-W – 45"
	CM1980-W – 23"
General Use	CM1972-W – 45"
	CM1982-W – 23"
Tunable	CM1972-T – 45"
	CM1988-T – 23"

FINISHES

Specify color code when ordering. For accurate color matching, individual paint and finish samples are [available upon request](#). For more information about our finishes visit visalighting.com/finishes

Powder Coat Paint Finishes (Standard)

AGGY Agate Grey	ALGN Alpine Green	BJBG Baja Beige	BMAT Bronze Matte	BRNZ Bronze	BSIL Blade Silver	CVBL Cove B
DEOR Deoro Gold	GLWT Glacier White	GSIL Graphite Siver	HRGR Harbor Grey	JTBK Jet Black	OCBL Ocean Blue	SHGR Shoreline G
SBGN Sagebrush Green	SLGR Slate Grey	SSTP Sierra Taupe	TRCN Terracotta Canyon	TRWT Traffic White	VBLK Velvet Black	VNRD Vineyard f