

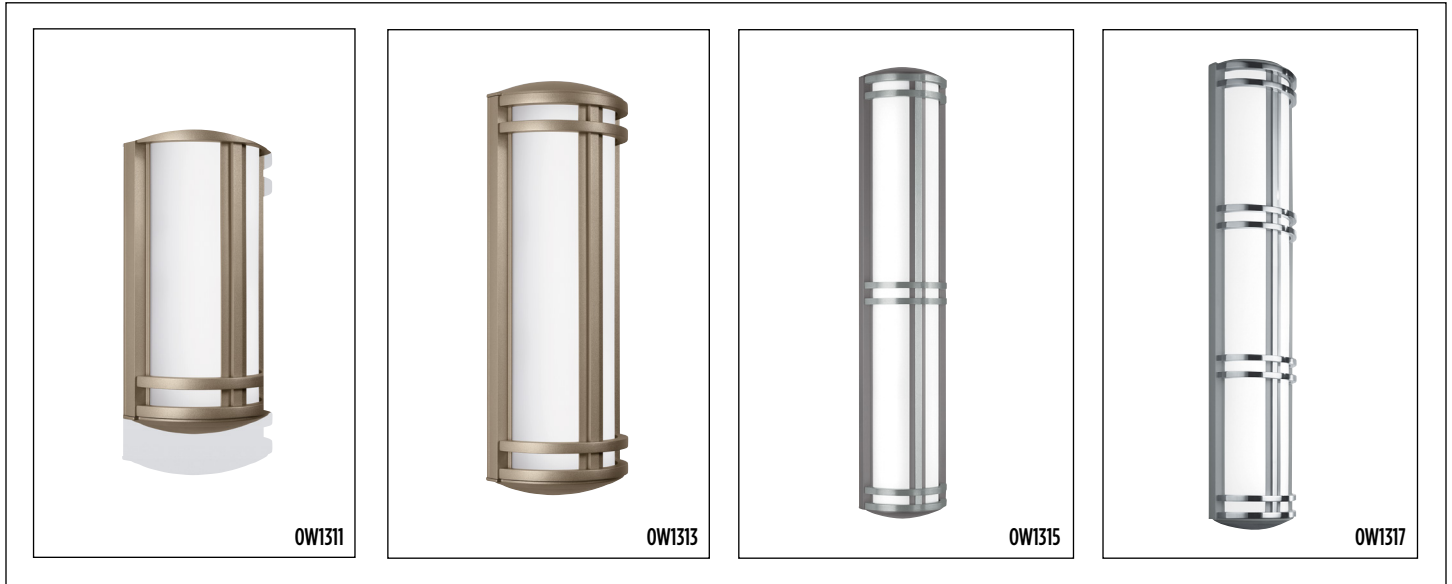
AVATAR™ OUTDOOR – DUAL ACCENT BAR

OW1311/OW1313/OW1315/OW1317



VisaLighting.com/products/Avatar

Type: _____ Project: _____ Location: _____



DIMENSIONS¹

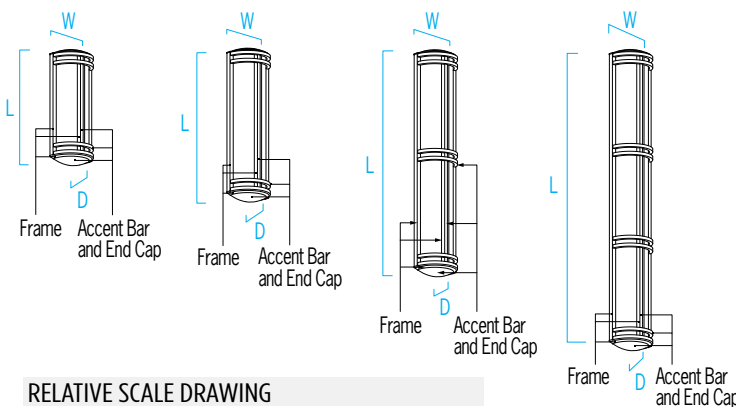
Depth is measured from wall to front of fixture

L = Length D = Depth W = Width

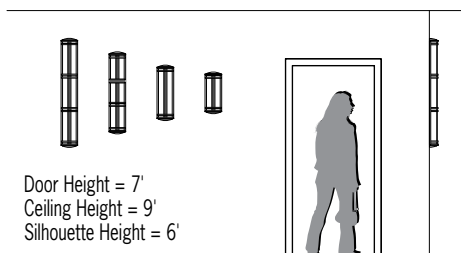
	OW1311	OW1313	OW1315	OW1317
L	19-3/4" (502 mm)	25-1/8" (638 mm)	36-1/8" (918 mm)	47-1/4" (1200 mm)
D	4" (102 mm)			
W	7-1/4" (184 mm)			

FEATURES

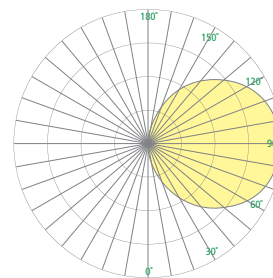
- Modular design for replacement of LED source and integral driver
- Vertical mounting standard (horizontal mounting optional)
- Mounts to standard electrical junction box (by others) and wall with provided hardware
- Removable cam-action hinged frame for ease of maintenance
- Extruded aluminum backplate and center accent, die-cast end caps. Solid metal or die-cast accent
- Sealed and gasketed construction
- High impact white acrylic diffuser
 - F1 rated, UV stable
 - UL-94 HB Flame Class rated
- No VOC powder coat paint or stainless steel finish
- ETL listed for wet location mounting 4' above grade



RELATIVE SCALE DRAWING



PHOTOMETRICS



ADA Compliant



XPS



ETL Listed



5 Year Warranty

AVATAR OUTDOOR – DUAL ACCENT BAR (cont.)

OW1311/OW1313/OW1315/OW1317



Fill in shaded boxes using information listed below

- MVOLT					
MODEL¹ OW1311 OW1313 OW1315 OW1317 See page 1	SOURCE² • L30K(H) • L30K(L) • L35K(H) • L35K(L) • L40K(H) • L40K(L)	VOLTAGE MVOLT	FRAME FINISH See last page for finish order codes	ACCENT BAR AND END CAP FINISH See last page for finish order codes	OPTION(S)³ HM XPS See page 1

SOURCE² (Select one)

Dimmable 0-10V to 1%, Minimum 80CRI, within 3-step MacAdam

Source	CCT	OW1311		OW1313		OW1315		OW1317	
		Delivered Lumens	Power/Watts	Delivered Lumens	Power/Watts	Delivered Lumens	Power/Watts	Delivered Lumens	Power/Watts
• L30K(H)	3000K	1200	15	1600	19	2400	29	3300	38
• L30K(L)	3000K	800	9	1100	13	1600	19	2200	25
L35K(H)	3500K	1200	15	1600	19	2400	29	3300	38
L35K(L)	3500K	800	9	1100	13	1600	19	2200	25
• L40K(H)	4000K	1200	15	1700	19	2500	29	3400	38
• L40K(L)	4000K	800	9	1100	13	1700	19	2200	25

VOLTAGE

MVOLT	120-277V, 50/60 Hz
--------------	--------------------

LUMEN MAINTENANCE RATING

L90 (reported)	≥50,400 hrs
-----------------------	-------------

OPTIONS³ (Multiple Selections Allowed)

⚠ Option availability may be interdependent with Other Options

HM	Horizontal mount (vertical is standard)
XPS	Express 10 day shipping. Items marked with a bullet (●) are not available with XPS

AVATAR OUTDOOR – DUAL ACCENT BAR (cont.)

OW1311/OW1313/OW1315/OW1317



AVATAR PRODUCT FAMILY

Outdoor	Single Bar	• OW1301 , OW1303 , OW1305 , OW1307
	Dual Bars	• OW1311 , OW1313 , OW1315 , OW1317
	Perforated	• OW1331 , OW1333 , OW1335 , OW1337
Indoor	Single Bar	• CV2009 , CV2011 , CV2013 , CV2015
	Dual Bars	• CV2025 , CV2027 , CV2029 , CV2031

SUGGESTED VARIATIONS

- Increase length
- Add/remove bar stock

See [Visalighting.com/Products/Avatar](https://visalighting.com/Products/Avatar) for more information

FINISHES

Specify color code when ordering. For accurate color matching, individual paint and finish samples are [available upon request](#). For more information about our finishes visit visalighting.com/finishes

Powder Coat Paint Finishes (Standard)

						
AGGY Agate Grey	ALGN Alpine Green	BJBG Baja Beige	BMAT Bronze Matte	BRNZ Bronze	BSIL Blade Silver	CVBL Cove Blue
						
DEOR Deoro Gold	GLWT Glacier White	GSIL Graphite Silver	HRGR Harbor Grey	JTBK Jet Black	OCBL Ocean Blue	SHGR Shoreline Grey
						
SBGN Sagebrush Green	SLGR Slate Grey	SSTP Sierra Taupe	TRCN Terracotta Canyon	TRWT Traffic White	VBLK Velvet Black	VNRD Vineyard Red

Metal Finishes (Premium) – Premium metals for Accent Bar and End Caps only

	
BSS Brushed Stainless Steel	PSS Polished Stainless Steel