

# CB6860 THEO™

## Single Rod Sconce



[VisaLighting.com/products/Theo](http://VisaLighting.com/products/Theo)

Type: \_\_\_\_\_ Project: \_\_\_\_\_ Location: \_\_\_\_\_

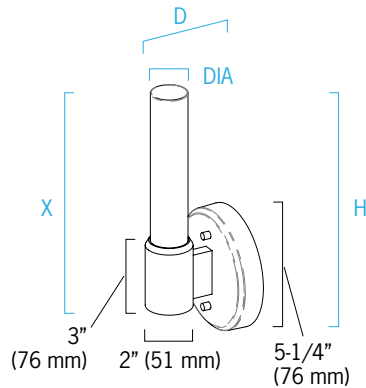


### DIMENSIONS

Depth is measured from wall to front of fixture

X = Body Height DIA = Diameter H = Height D = Depth WT = Weight

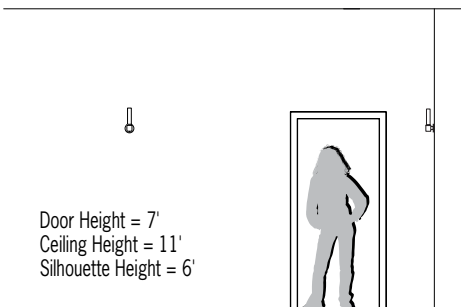
<b>X</b>	9-3/4" (248 mm)
<b>DIA</b>	1-5/8" (41 mm)
<b>D</b>	4" (102 mm)
<b>H</b>	11-1/4" (286 mm)
<b>WT</b>	≤ 1 lb



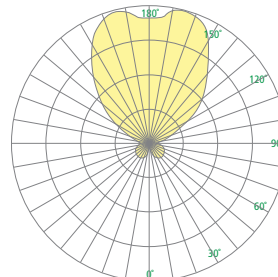
### FEATURES

- BAA (Buy American Act) and BABA (Build American, Buy America) compliant
- Integral driver, suitable for 0-10V or phase-cut dimming
- Optional 90CRI
- Mounts to 4x4 octagonal junction box (by others). Wall canopy is 5-1/4" dia. Mount fixture vertically
- Unique transparent acrylic light rod with light-conducting properties for uniform illumination throughout the entire rod surface, can be mounted with rod pointing up or down
- Eco-friendly, lightweight spun aluminum material in wall canopy and housing
- Non-VOC powder coat or environmentally friendly low VOC metal alternative finishes
- ETL listed for damp locations. Not suited for exterior applications

### RELATIVE SCALE DRAWING



### PHOTOMETRICS



# CB6860 THEO (cont.)

## Single Rod Sconce



Fill in shaded boxes using information listed below

CB6860		MVOLT			
MODEL	SOURCE <sup>1</sup> L30K L35K L40K	SOURCE OPTION <sup>2</sup> 90CRI Minimum 80CRI is standard if 90CRI option is not selected	VOLTAGE MVOLT	FINISHES See last page for finish order codes	OPTION <sup>3</sup> DCC

### SOURCE<sup>1</sup> (Select one)

Minimum 80CRI, within 3-step MacAdam; 0-10V or phase-cut dimmable

Source	CCT	Delivered Lumens	Power/Watts
L30K	3000K	850	8
L35K	3500K	850	
L40K	4000K	900	

### VOLTAGE

MVOLT	120-277V, 50/60 Hz
-------	--------------------

### LUMEN MAINTENANCE RATING

L90 (reported)	>55,000 hrs
----------------	-------------

### SOURCE OPTION<sup>2</sup>

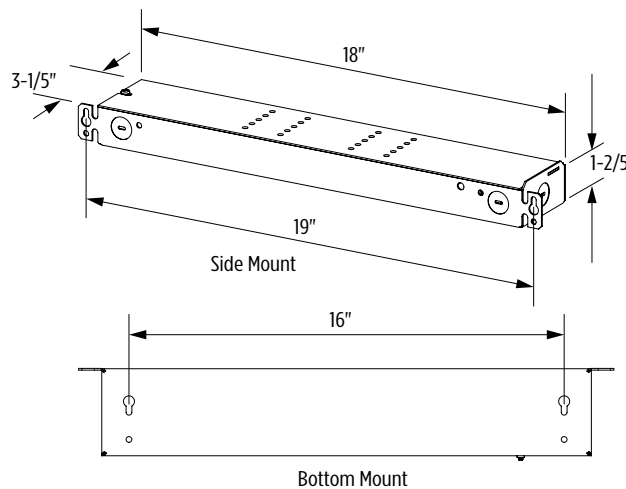
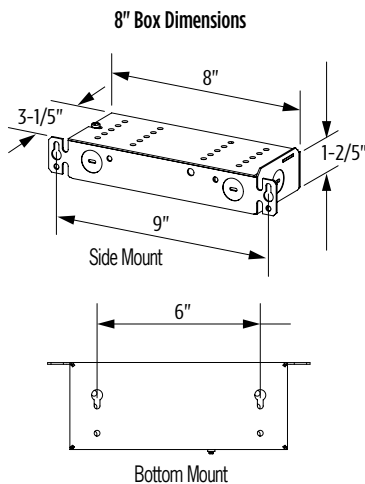
Minimum 80CRI within 3-step MacAdam is standard if option is not selected

90CRI	Color rendering index minimum 90, minimum R9 value of 50 (delivered lumens reduced by 18%)
-------	--

### OPTION<sup>3</sup>

DCC	Damp clear coat for metal finishes (required for 5 year warranty when used in damp locations)
-----	---

### REMOTE DRIVER (RMD) INFORMATION



Maximum Recommended Remote Wiring Distance from RMD to fixture canopy

- 12GA 190 ft
- 14GA 120 ft
- 16GA 75 ft
- 18GA 45 ft
- 20GA 30 ft

Remote driver boxes have knockouts for conduit connections

# CB6860 THEO (cont.)

## Single Rod Sconce



### THEO PRODUCT FAMILY

- CP6860-13 – 13” Pendant
- CP6860-24 – 24” Pendant
- CB6860 – Single Rod Sconce
- CB6862 – Double Rod Sconce

### SUGGESTED VARIATIONS

- Custom colors
- Alternate mA settings

See [Visalighting.com/families/Theo](https://visalighting.com/families/Theo) for more information

### FINISHES

Specify color code when ordering. For accurate color matching, individual paint and finish samples are [available upon request](#).

For more information about our finishes visit [visalighting.com/finishes](https://visalighting.com/finishes)

#### Powder Coat Paint Finishes (Standard)

<b>AGGY</b> Agate Grey	<b>ALGN</b> Alpine Green	<b>BJBG</b> Baja Beige	<b>BMAT</b> Bronze Matte	<b>BRNZ</b> Bronze	<b>BSIL</b> Blade Silver	<b>CVBL</b> Cove Blue
<b>DEOR</b> Deoro Gold	<b>GLWT</b> Glacier White	<b>GSIL</b> Graphite Siver	<b>HRGR</b> Harbor Grey	<b>JTBK</b> Jet Black	<b>OCBL</b> Ocean Blue	<b>SHGR</b> Shoreline Grey
<b>SBGN</b> Sagebrush Green	<b>SLGR</b> Slate Grey	<b>SSTP</b> Sierra Taupe	<b>TRCN</b> Terracotta Canyon	<b>TRWT</b> Traffic White	<b>VBLK</b> Velvet Black	<b>VNRD</b> Vineyard Red

#### Alternative Metal Finishes (Premium)

<b>BBA</b> Brushed Brass Alternative	<b>BCA</b> Brushed Chrome Alternative	<b>BUA</b> Brushed Copper Alternative	<b>BZA</b> Brushed Bronze Alternative
<b>OBA</b> Oil-Rubbed Bronze Alternative	<b>PRA</b> Pewter Alternative	<b>RBA</b> Rustic Brass Alternative	<b>SNA</b> Satin Nickel Alternative

#### Metal Finish (Premium)

<b>BA</b> Brushed Aluminum