

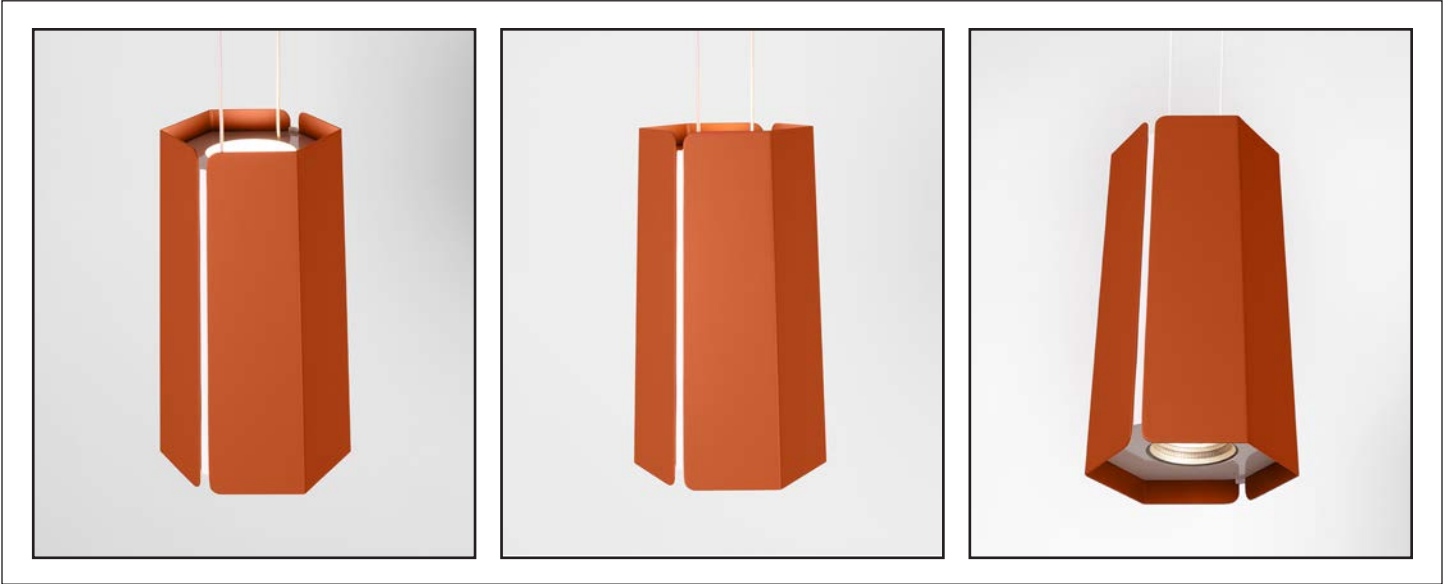
CP7206 SUMMIT™

Part of the Terra Collection



[VisaLighting.com/products/Summit](https://www.VisaLighting.com/products/Summit)

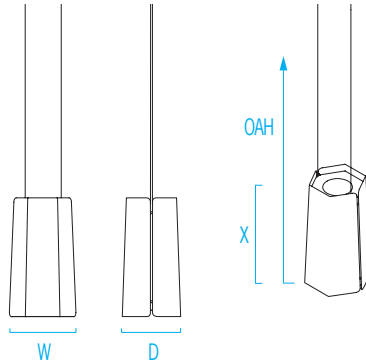
Type: _____ Project: _____ Location: _____



DIMENSIONS 6

X = Body Height W = Width D = Depth STD OAH = Standard Overall Height

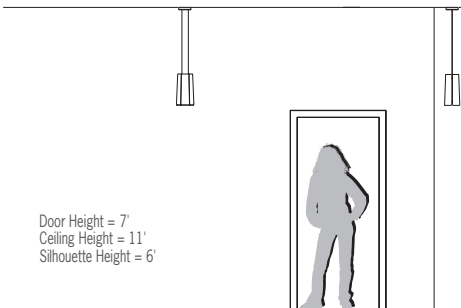
X	14" (356 mm)
W	8" (203 mm)
D	7" (178 mm)
MIN OAH	18" (457 mm)
STD OAH	48" (1219 mm)
MAX OAH	96" (2438 mm)



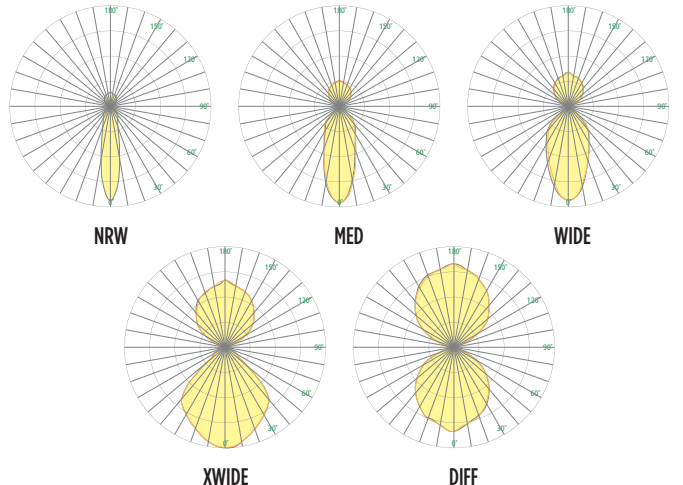
FEATURES

- BAA (Buy American Act) and BABA (Build American, Buy America) compliant
- Clean vertical form factor with both up and down light
- 5 optical control options for downlight
- High or low lumen output options
- Remote Driver (RMD) or Driver in Canopy (SDC) configurations available
- Optional 90+ CRI (2700K sources are 90+ CRI standard)
- Remote Driver (RMD) includes round canopy 6-1/4" diameter and 1/2" deep
- Driver in canopy (SDC) includes round canopy 6-3/8" diameter and 1-1/2" deep
- Suspended by two slim black, white, or grey braided cloth-covered single conductor power cords. Overall height (OAH) can be field adjusted to a shorter length during installation
- Outer panel and inner component finishes selected separately
- Canopy is painted white
- Canopy can be rotated to align pendants and/or oriented within a space
- Mounts over standard octagon j-box (by others)
- Aluminum construction
- Non-VOC powder coat finishes

RELATIVE SCALE DRAWING



PHOTOMETRICS



CP7206 SUMMIT (cont.)

Part of the Terra Collection



Fill in shaded boxes using information listed below

CP7206		- MVOLT							
MODEL	SOURCE¹ L27K(H) L27K(L) L30K(H) L30K(L) L35K(H) L35K(L) L40K(H) L40K(L)	SOURCE OPTION² 90CRI Minimum 80CRI is standard if option is not selected. 90CRI is standard with 2700K Sources	VOLTAGE MVOLT	DOWNLIGHT OPTIC³ NRW (25°) MED (40°) WIDE (55°) XWIDE (90°) DIFF (diffuse) Uplight is always diffuse option Required for downlight option	OUTER FINISH	INNER FINISH	DRIVER⁴ RMD SDC	CORD COLOR⁵ WSC (white) GSC (grey) BSC (black)	OAH⁶ See page 1

SOURCE¹ (Select one)

Dimmable 0-10V to 1%, Minimum 80CRI, within 3-step MacAdam

Source	Output Option	Downlight Optic	Uplight	Downlight		Total Del LM	Power (Watts)
			Del LM	Del LM	Max CD		
L27K L30K L35K L40K	(L)	NRW	455	545	1310	1000	8
		MED	455	540	730	995	
		WIDE	455	540	545	995	
		XWIDE	455	535	290	990	
		DIFF	455	460	190	915	
L27K L30K L35K L40K	(H)	NRW	780	930	2240	1710	13
		MED	780	925	1245	1705	
		WIDE	780	925	935	1705	
		XWIDE	780	915	495	1695	
		DIFF	780	785	325	1565	

All values shown at 3500K, 80CRI (L35K)
Multiply lumens and candela values by 0.87 for L27K, 0.97 for L30K, and 1.02 for L40K performance

VOLTAGE

MVOLT	120-277V, 50/60 Hz
--------------	--------------------

DOWNLIGHT OPTIC³

Beam	
NRW	25° Beam
MED	40° Beam
WIDE	55° Beam
XWIDE	90° Beam
DIFF	Diffuse

LUMEN MAINTENANCE RATING

L85 (reported)	>55,000 hrs
-----------------------	-------------

Reported Lifetime per IES TM-21

SOURCE OPTION²

Minimum 80CRI within 3-step MacAdam is standard if option is not selected

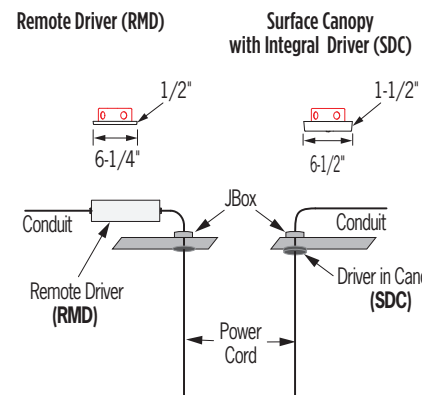
90CRI	Color rendering index minimum 90, minimum R9 value of 50 (delivered lumens reduced by 12%); option available for L30K, L35K, and L40K sources (L27K sources: 90CRI is standard)
--------------	---

DRIVER⁴ (Select one)

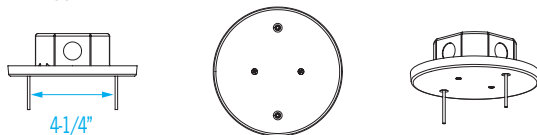
⚠ Availability may be interdependent with Voltage, Source or Other Options

SDC	Surface canopy with integral driver; canopy is painted white
RMD	Remote driver enclosure has knockouts for conduit connection, may be recess mounted with insulation contact (type IC)

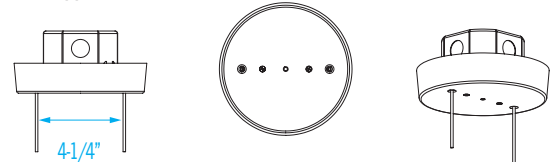
DRIVER AND CANOPY DETAIL



RMD Canopy



SDC Canopy



CP7206 SUMMIT (cont.)

Part of the Terra Collection

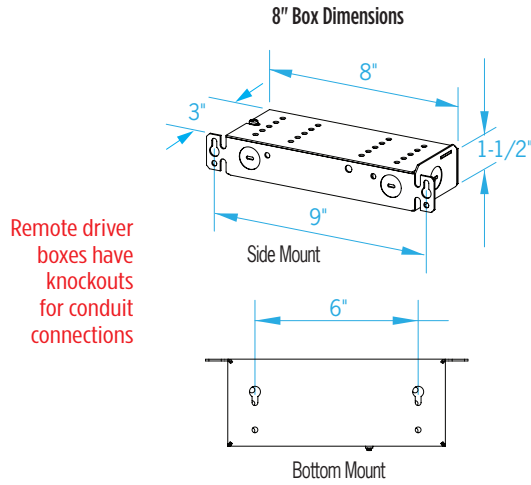


POWER CORD COLOR⁵ (Select one)

BSC	Black power cord
GSC	Gray power cord
WSC	White power cord



REMOTE DRIVER (RMD) INFORMATION



SUGGESTED VARIATIONS

- Longer/shorter pendant body
- No uplight or no downlight
- Alternate uplight distribution
- Cluster from one canopy
- Dual circuit for separate up/down switching

Maximum Recommended Remote Wiring Distance from RMD to fixture canopy

- 18AWG or larger – 200 ft

See [Visalighting.com/families/terra](https://www.visalighting.com/families/terra) for more information

FINISHES

Specify color code when ordering. For accurate color matching, individual paint and finish samples are [available upon request](#). For more information about our finishes visit [visalighting.com/finishes](https://www.visalighting.com/finishes)

Powder Coat Paint Finishes (Standard)

AGGY Agate Grey	ALGN Alpine Green	BJBG Baja Beige	BMAT Bronze Matte	BRNZ Bronze	BSIL Blade Silver	CVBL Cove Blue
DEOR Deoro Gold	GLWT Glacier White	GSIL Graphite Silver	HRGR Harbor Grey	JTBK Jet Black	OCBL Ocean Blue	SHGR Shoreline Grey
SBN Sagebrush Green	SLGR Slate Grey	SSTP Sierra Taupe	TRCN Terracotta Canyon	TRWT Traffic White	VBLK Velvet Black	VNRD Vineyard Red

