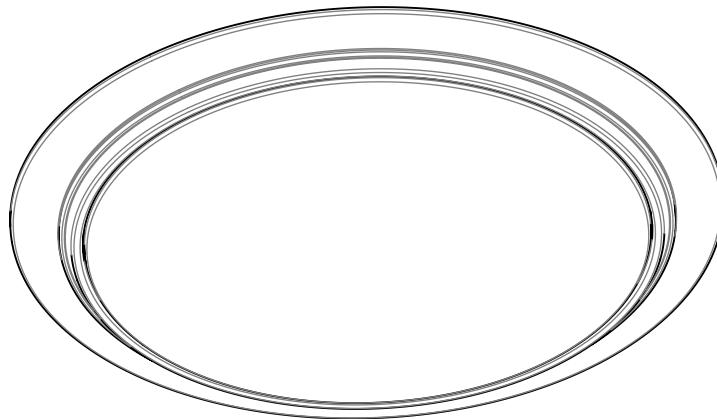


INSTALLATION INSTRUCTIONS

Model: **CM1676, CM1680, CM1700, CM1708, CM1720**
Fixture Family: **OVATION DIFFUSER**
Document Description: Installation Instructions for
OVATION Series Luminaires

VISA LIGHTING
AN OLDENBURG GROUP COMPANY
1717 West Civic Drive Milwaukee, WI 53209
414-354-6600
Design Modification Rights Reserved
© Visa Lighting 2003



*Style may vary

OVATION DIFFUSER

CM1676
CM1680
CM1700
CM1708
CM1720

Drawing: 760451XX

Rev: B

Sheet: 1 of 2

Eng: CLD

Date Drawn: 01/09/17

! When using electrical equipment, basic safety precautions should always be followed, including the following:

- Read all instructions carefully before installing and save for future use.
- Make sure all connections are in accordance with the National Electrical Code and local regulations.
- To avoid possible electric shock, be sure the power supply is turned off before servicing or installing the fixture.
- Service should be performed by qualified personnel.
- These instructions may not cover all details or variations. If additional information is needed, please contact Visa Lighting.

INSTALLATION INSTRUCTIONS

Model: **CM1676, CM1680, CM1700, CM1708, CM1720**
 Fixture Family: **OVATION DIFFUSER**
 Document Description: Installation Instructions for
 OVATION Series Luminaires

VISA LIGHTING
 AN OLDENBURG GROUP COMPANY
 1717 West Civic Drive Milwaukee, WI 53209
 414-354-6600
 Design Modification Rights Reserved
 © Visa Lighting 2003

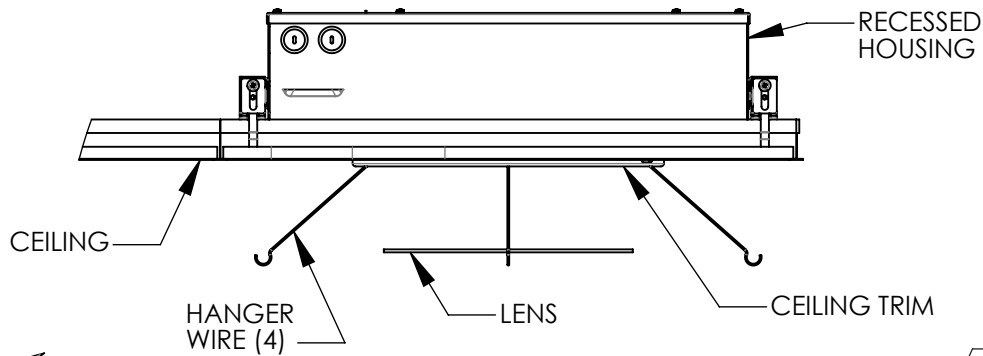


FIGURE 1

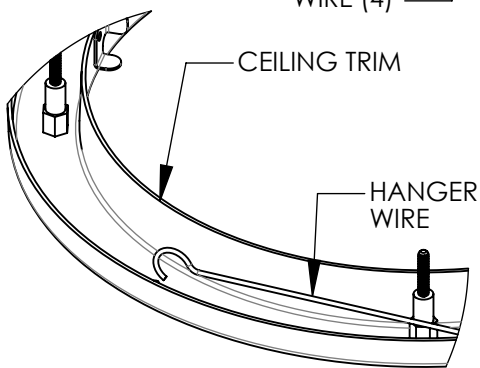


FIGURE 2

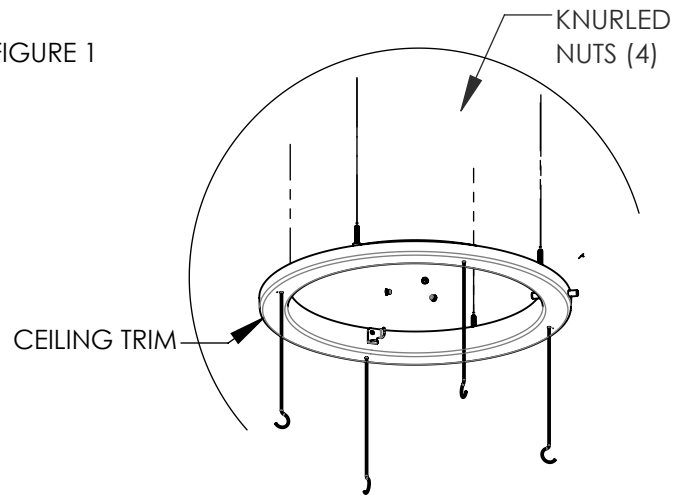


FIGURE 3

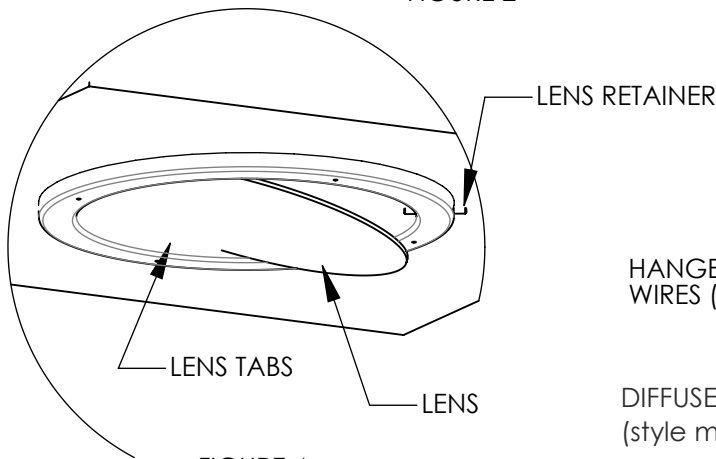


FIGURE 4

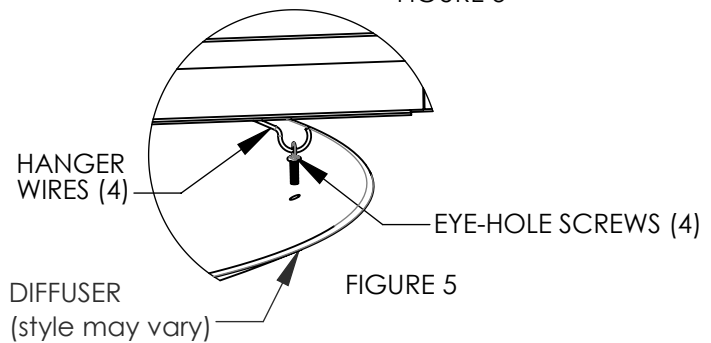


FIGURE 5

1. Install the recessed housing according to the housing installation instructions.
2. Insert the hanger wires into the ceiling trim as shown above. (Figure 2)
3. Attach the ceiling trim to the recessed housing using (4) knurled nuts. (Figure 3)
4. Install the lamps, (if the fixture is fluorescent).
5. Install the lens by sliding it onto the two tabs and pulling the lens retainer from the inside of the ring while pushing up on the lens. Release the retainer once lens is above the retainer. (Figure 4)
6. Loop (4) hanger wires through eye-hole screws or trim holes on the diffuser depending on the diffuser style. (Figure 5)

! When using electrical equipment, basic safety precautions should always be followed, including the following:

- Read all instructions carefully before installing and save for future use.
- Make sure all connections are in accordance with the National Electrical Code and local regulations.
- To avoid possible electric shock, be sure the power supply is turned off before servicing or installing the fixture.
- Service should be performed by qualified personnel.
- These instructions may not cover all details or variations. If additional information is needed, please contact Visa Lighting.