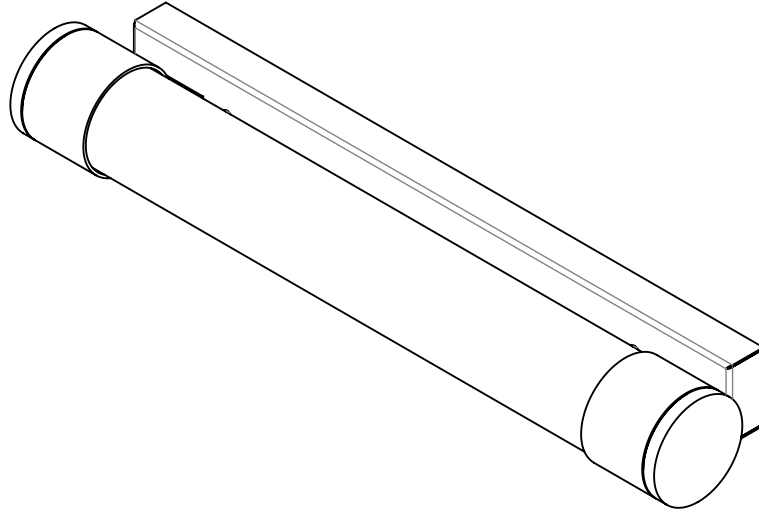


INSTALLATION INSTRUCTIONS

Model: **CB6504, CB6505, CB6506, CB6507, CB6508, CB6509**
Fixture Family: **ASTA**
Document Description: Installation Instructions for ASTA
ASTA Series Luminaires



ASTA WALL MOUNT

FLR

LED

CB6504
CB6506
CB6508

CB6505
CB6507
CB6509

PAGE 2: FLR

PAGE 3: LED

Drawing: 760456XX

Rev: B

Sheet: 1 of 3

Eng: GJW

Date Drawn: 11/5/2003

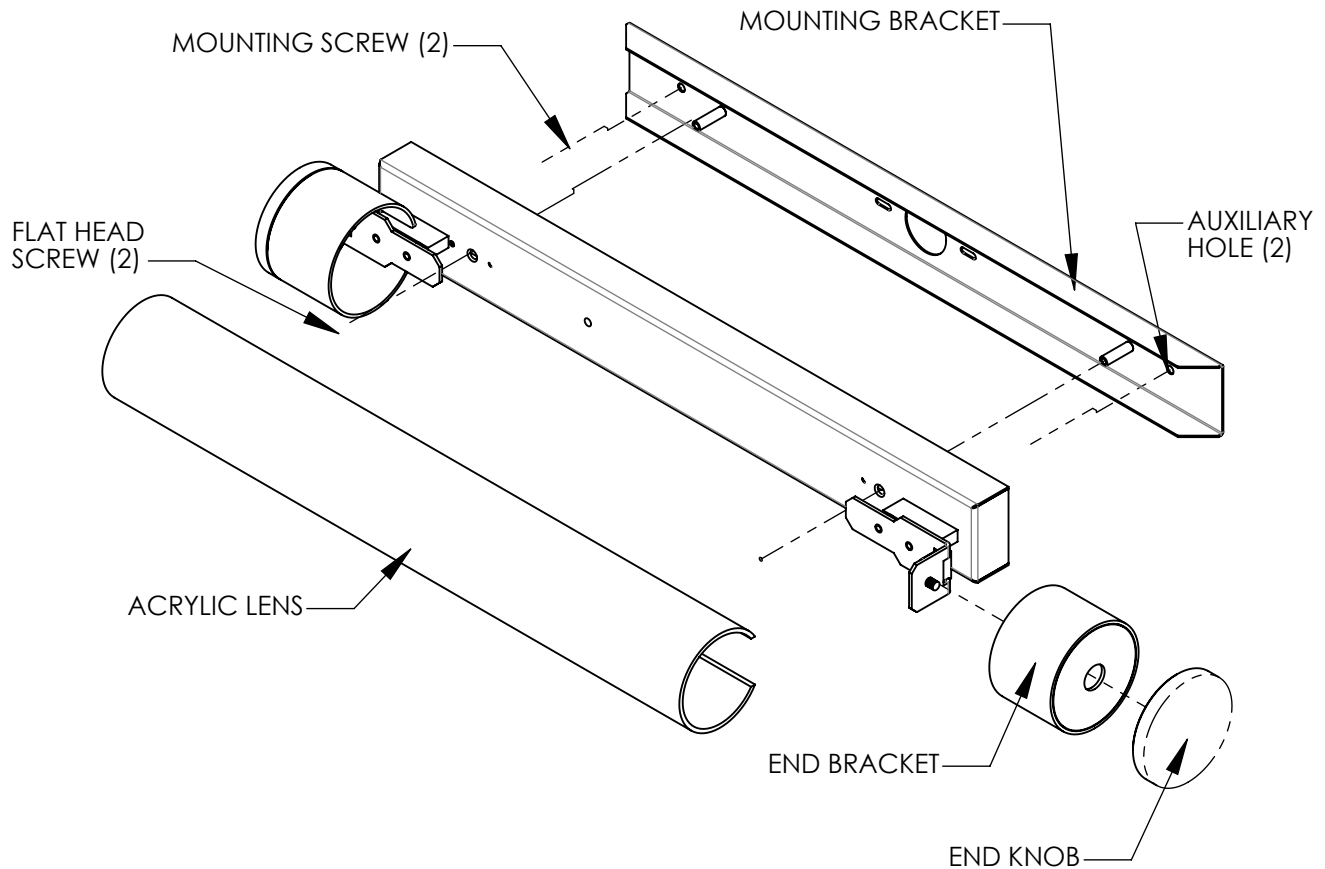
! When using electrical equipment, basic safety precautions should always be followed, including the following:

- Read all instructions carefully before installing and save for future use.
- Make sure all connections are in accordance with the National Electrical Code and local regulations.
- To avoid possible electric shock, be sure the power supply is turned off before servicing or installing the fixture.
- Service should be performed by qualified personnel.
- These instructions may not cover all details or variations. If additional information is needed, please contact Visa Lighting.

INSTALLATION INSTRUCTIONS

Model: **CB6504, CB6505, CB6506, CB6507, CB6508, CB6509**
Fixture Family: **ASTA**
Document Description: Installation Instructions for ASTA
ASTA Series Luminaires

FLR



Mounting instructions:

1. Fasten mounting bracket over junction box (by others) to the wall with mounting screws supplied or ones suitable for wall construction, through mounting holes.
2. Make electrical connections per local and national codes.
3. Put fixture over mounting bracket and fasten with (2) button head screws provided.

Note: Auxiliary mounting holes are to be used for 3' and 4' length fixtures.

Lamp installation instructions:

1. Unscrew end knob from one end.
2. Slide off end bracket.
3. Squeeze acrylic lens and slide out.
4. Install lamp.

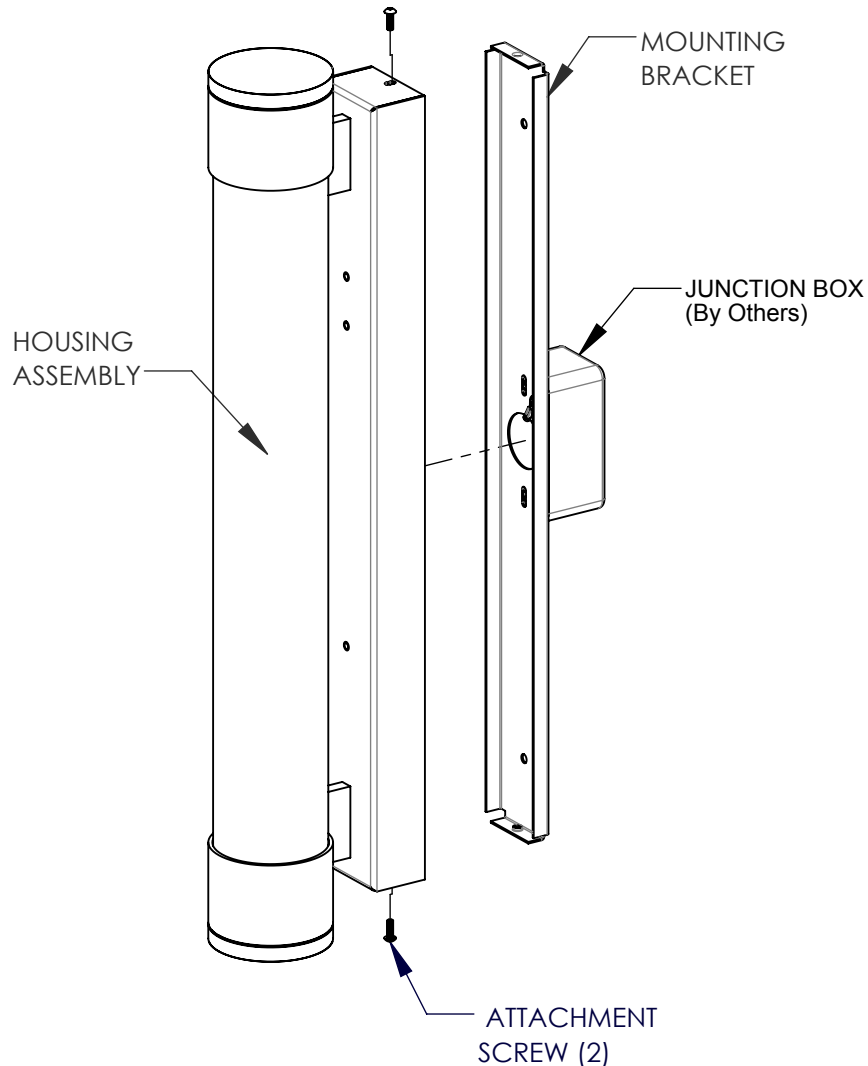
When using electrical equipment, basic safety precautions should always be followed, including the following:

- Read all instructions carefully before installing and save for future use.
- Make sure all connections are in accordance with the National Electrical Code and local regulations.
- To avoid possible electric shock, be sure the power supply is turned off before servicing or installing the fixture.
- Service should be performed by qualified personnel.
- These instructions may not cover all details or variations. If additional information is needed, please contact Visa Lighting.

INSTALLATION INSTRUCTIONS

Model: **CB6504, CB6505, CB6506, CB6507, CB6508, CB6509**
Fixture Family: **ASTA**
Document Description: Installation Instructions for ASTA
ASTA Series Luminaires

LED



1. Fasten mounting bracket over junction box (by others) to the wall with mounting screws supplied or ones suitable for wall construction, through mounting holes.
2. Make electrical connections per local and national codes.
3. Put fixture over mounting bracket and fasten with (2) button head screws provided.

NOTE: Orientation of 2x4 junction box will determine fixture orientation.

When using electrical equipment, basic safety precautions should always be followed, including the following:

- Read all instructions carefully before installing and save for future use.
- Make sure all connections are in accordance with the National Electrical Code and local regulations.
- To avoid possible electric shock, be sure the power supply is turned off before servicing or installing the fixture.
- Service should be performed by qualified personnel.
- These instructions may not cover all details or variations. If additional information is needed, please contact Visa Lighting.