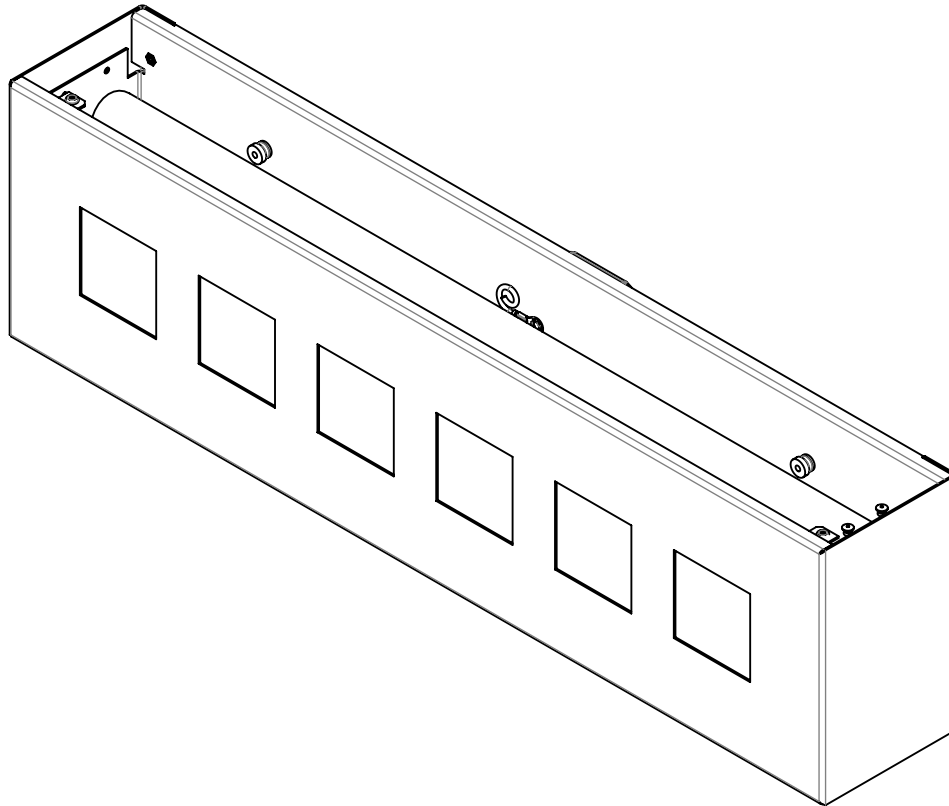


INSTALLATION INSTRUCTIONS

Model: **LINEAR ART SCONCE**
Fixture Family: **CB3140, CB3141, CB3142, CB3144, CB3145, CB3146, CB3170**
Document Description: Installation Instructions for
LINEAR ART Series Luminaires

 **VISA LIGHTING**
1717 West Civic Drive Milwaukee, WI 53209
414-354-6600
Design Modification Rights Reserved
© Visa Lighting



LINEAR ART SCONCE

CB3140
CB3141
CB3142
CB3144
CB3145
CB3146
CB3170

Drawing: 760639XX

Rev: D

Sheet: 1 of 2

Eng: CLD

Date Drawn: 03/21/17

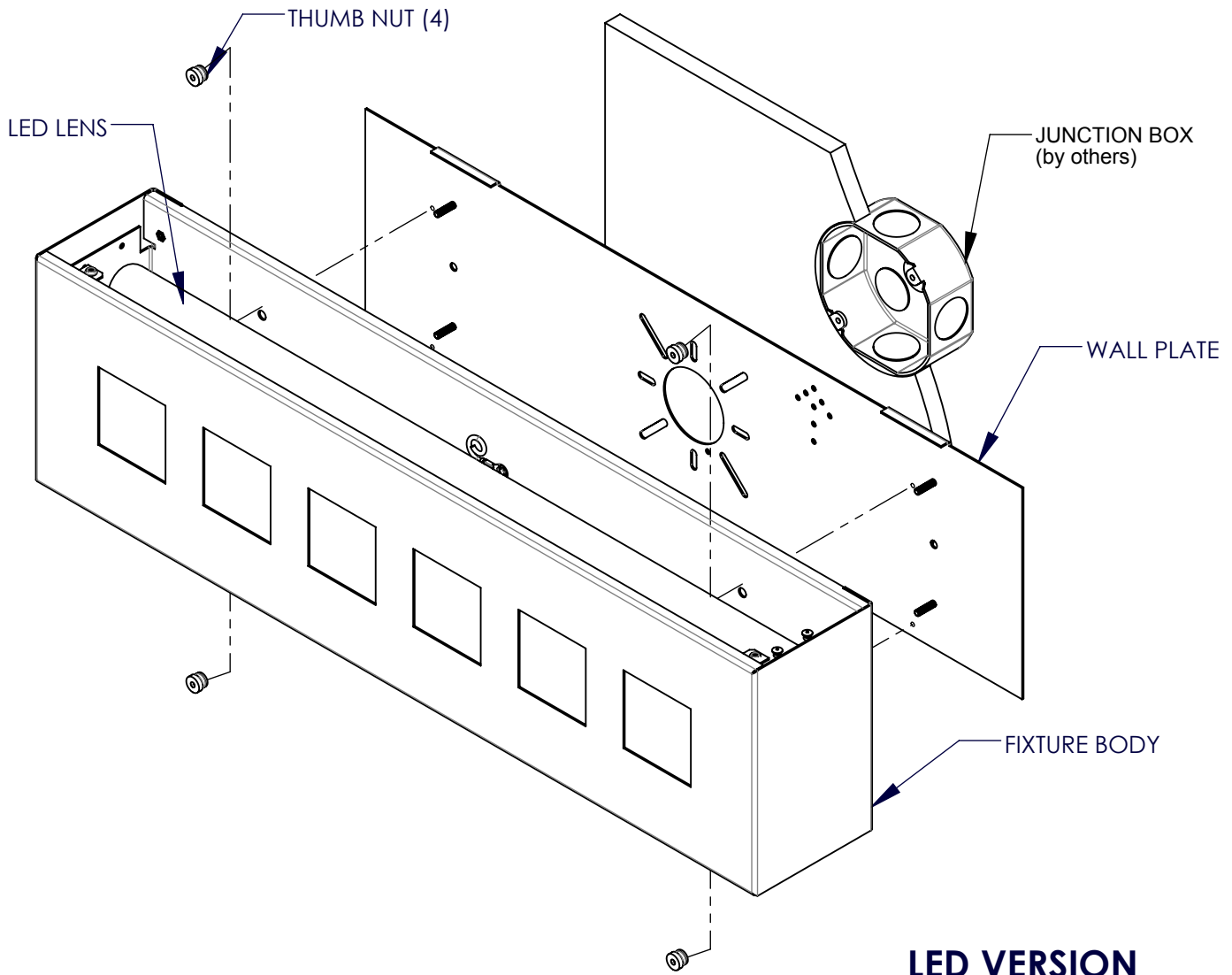
 When using electrical equipment, basic safety precautions should always be followed, including the following:

- Read all instructions carefully before installing and save for future use.
- Make sure all connections are in accordance with the National Electrical Code and local regulations.
- To avoid possible electric shock, be sure the power supply is turned off before servicing or installing the fixture.
- Service should be performed by qualified personnel.
- These instructions may not cover all details or variations. If additional information is needed, please contact Visa Lighting.

INSTALLATION INSTRUCTIONS

Model: **LINEAR ART SCONCE**
Fixture Family: **CB3140, CB3141, CB3142, CB3144, CB3145, CB3146, CB3170**
Document Description: Installation Instructions for
LINEAR ART Series Luminaires

VISA LIGHTING
1717 West Civic Drive Milwaukee, WI 53209
414-354-6600
Design Modification Rights Reserved
© Visa Lighting



LED VERSION

1. Securely fasten wall plate to the mounting surface with hardware provided.
2. Remove top and bottom lenses, if present, and set aside.
3. Remove LED lenses and set aside.
4. Make wire connections as necessary.
5. Mount fixture body mounts to wall plate. Fasten with (4) thumb nuts provided.
6. Attach LED lenses.
7. Attach top and bottom lenses, if present.

When using electrical equipment, basic safety precautions should always be followed, including the following:

- Read all instructions carefully before installing and save for future use.
- Make sure all connections are in accordance with the National Electrical Code and local regulations.
- To avoid possible electric shock, be sure the power supply is turned off before servicing or installing the fixture.
- Service should be performed by qualified personnel.
- These instructions may not cover all details or variations. If additional information is needed, please contact Visa Lighting.