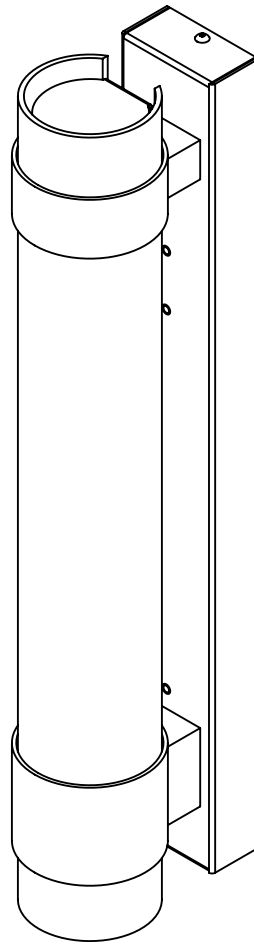


# INSTALLATION INSTRUCTIONS

Model: **CB6338/CB6340**  
Fixture Family: **FLAMBEAU**  
Document Description: Installation Instructions for  
FLAMBEAU Series Luminaires

**VISA LIGHTING**  
An Oldenburg Group Company  
1717 West Civic Drive Milwaukee, WI 53209  
414-354-6600  
Design Modification Rights Reserved  
© Visa Lighting



## FLAMBEAU WALL MOUNT

**CB6338**

**CB6340**

**PAGE 2: FLR**

**PAGE 3: LED**

Drawing: 760760XX

Rev: B

Sheet: 1 of 3

Eng: JHP

Date Drawn: 5/16/08

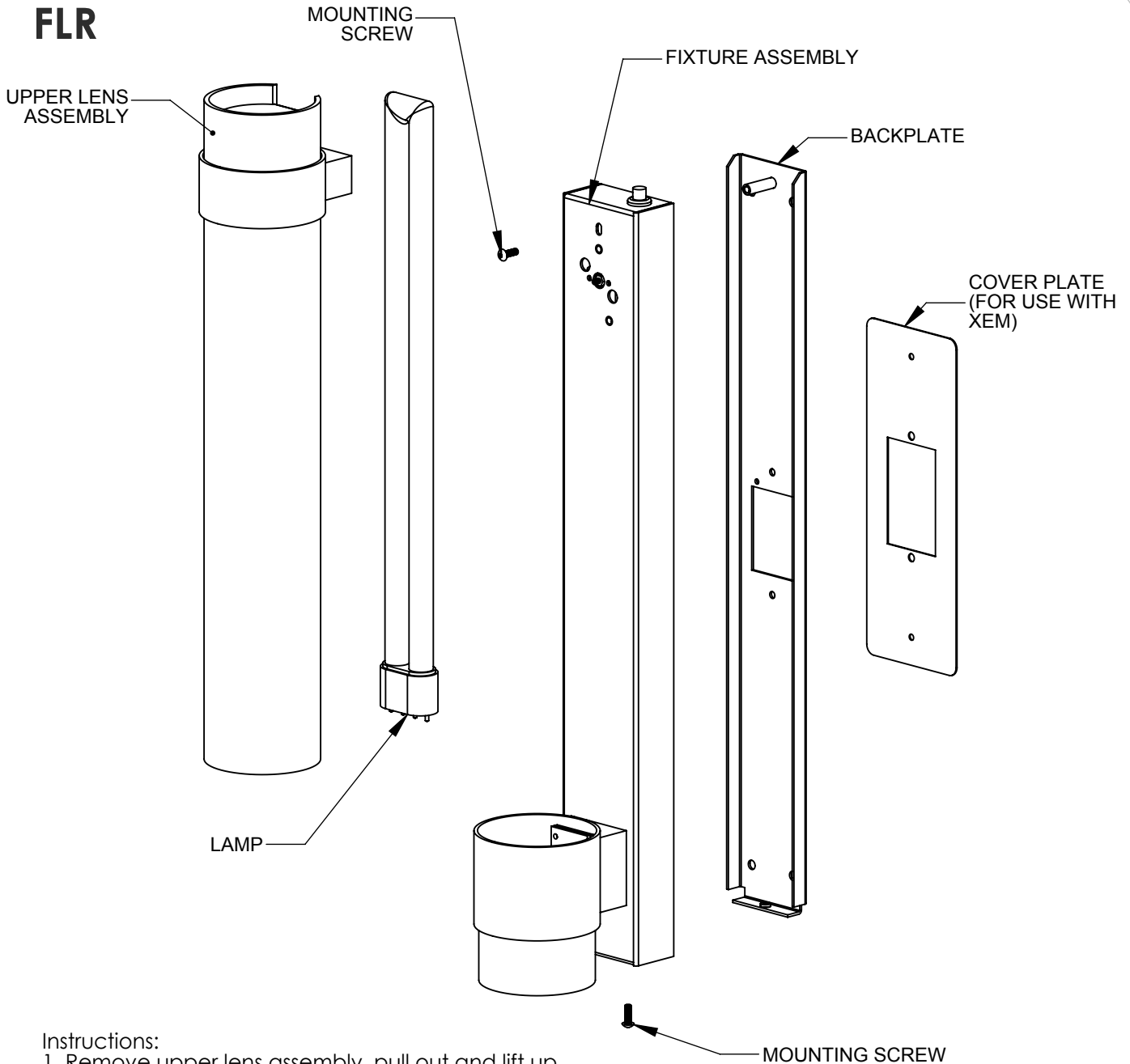
**!** When using electrical equipment, basic safety precautions should always be followed, including the following:

- Read all instructions carefully before installing and save for future use.
- Make sure all connections are in accordance with the National Electrical Code and local regulations.
- To avoid possible electric shock, be sure the power supply is turned off before servicing or installing the fixture.
- Service should be performed by qualified personnel.
- These instructions may not cover all details or variations. If additional information is needed, please contact Visa Lighting.

# INSTALLATION INSTRUCTIONS

Model: **CB6338/CB6340**  
Fixture Family: **FLAMBEAU**  
Document Description: Installation Instructions for  
FLAMBEAU Series Luminaires

1717 West Civic Drive Milwaukee, WI 53209  
414-354-6600  
Design Modification Rights Reserved  
© Visa Lighting



## Instructions:

1. Remove upper lens assembly, pull out and lift up.
2. Remove mounting screws to remove backplate.
3. Secure backplate over 2x4 single gang box to wall.
4. For XEM option, secure backplate with cover plate over custom J-box with battery (provided by Visa).
5. Make all necessary wire connections.
6. Attach fixture assembly to backplate and tighten mounting screws to secure fixture.
7. Install lamp.
8. Install upper lens assembly, carefully engaging lamp into lamp clip.

Drawing: 760760XX

Rev: B

Sheet: 2 of 3

Eng: JHP

Date Drawn: 5/16/08

When using electrical equipment, basic safety precautions should always be followed, including the following:

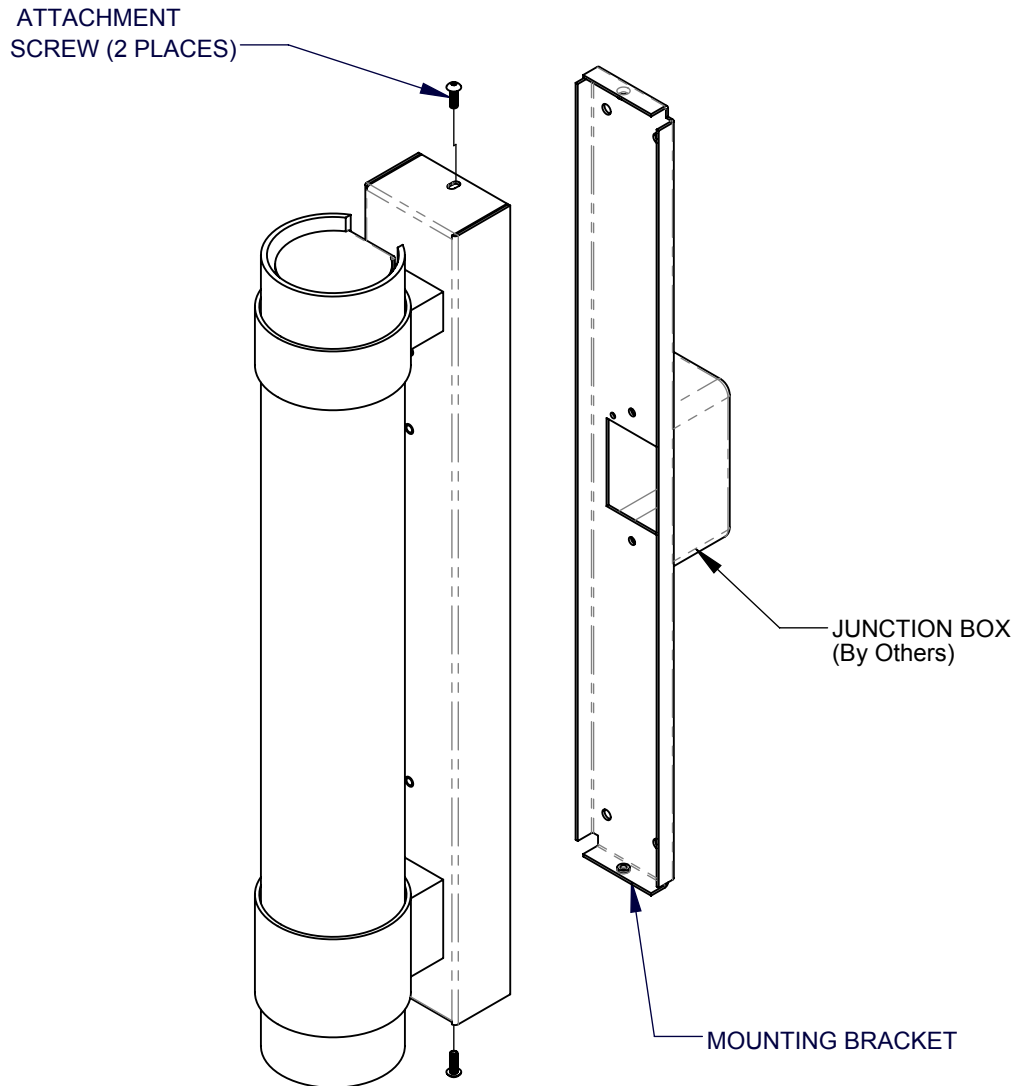
- Read all instructions carefully before installing and save for future use.
- Make sure all connections are in accordance with the National Electrical Code and local regulations.
- To avoid possible electric shock, be sure the power supply is turned off before servicing or installing the fixture.
- Service should be performed by qualified personnel.
- These instructions may not cover all details or variations. If additional information is needed, please contact Visa Lighting.

# INSTALLATION INSTRUCTIONS

Model: **CB6338/CB6340**  
Fixture Family: **FLAMBEAU**  
Document Description: Installation Instructions for  
FLAMBEAU Series Luminaires

1717 West Civic Drive Milwaukee, WI 53209  
414-354-6600  
Design Modification Rights Reserved  
© Visa Lighting

## LED



### Mounting Instructions:

1. Fasten mounting bracket over junction box to wall with mounting screws supplied (or screws suitable for wall construction) thru mounting holes.  
Note: Orientation of 2x4 junction box will determine fixture orientation.
2. Make electrical connections per local and national codes.
3. Put fixture over mounting bracket and fasten with (2) button head screws provided.

**!** When using electrical equipment, basic safety precautions should always be followed, including the following:

- Read all instructions carefully before installing and save for future use.
- Make sure all connections are in accordance with the National Electrical Code and local regulations.
- To avoid possible electric shock, be sure the power supply is turned off before servicing or installing the fixture.
- Service should be performed by qualified personnel.
- These instructions may not cover all details or variations. If additional information is needed, please contact Visa Lighting.