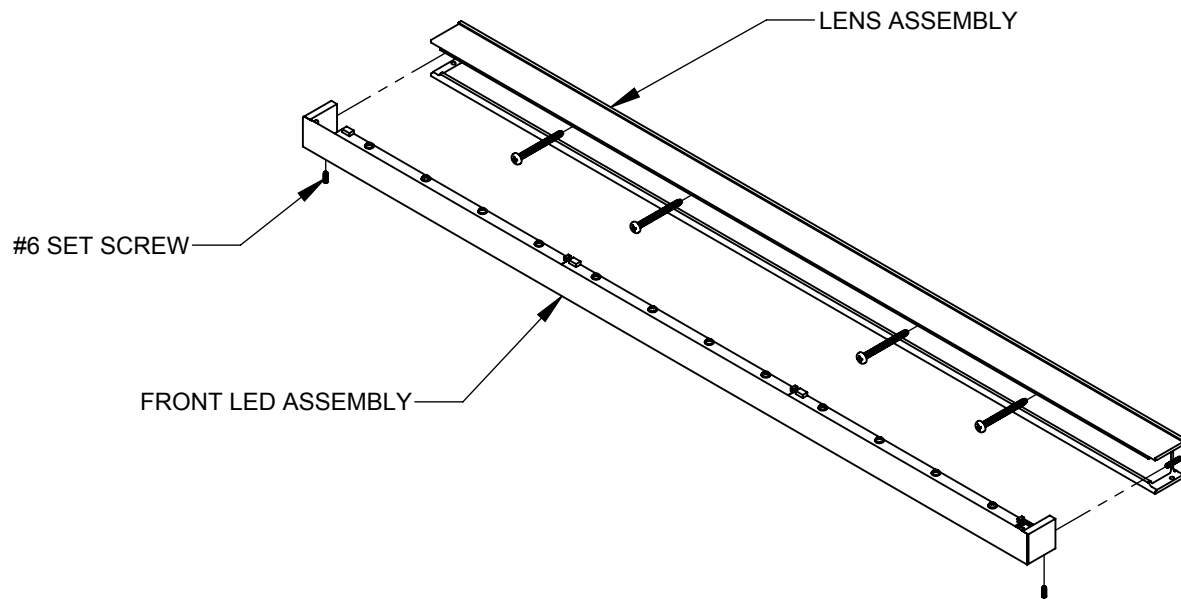


# INSTALLATION INSTRUCTIONS

Model: **Sleight**  
Fixture Family: **Mystique**  
Document Description: Installation Instructions for Sleight surface mount  
CV1976PSX Series Luminaires

1717 West Civic Drive Milwaukee, WI 53209  
414-354-6600  
Design Modification Rights Reserved  
© Visa Lighting

## SURFACE MOUNT



1. Locate desired wall opening for power feed and drill up to 3/4" hole.
2. Connect 24 volt power feed to fixture. Note: Excess wire can be trimmed before being pushed back in the wall.
3. Mount lens assembly to wall with hardware suitable for mounting surface. Note: Make sure lens assembly is level before securing to wall.
4. Slide front LED assembly onto lens assembly aligning posts into holes in sides of front assembly and secure with set screws (2).

Drawing: 760841XX

Rev: B

Sheet: 1 of 2

Eng: DAF

Date Drawn: 10/28/10

**!** When using electrical equipment, basic safety precautions should always be followed, including the following:

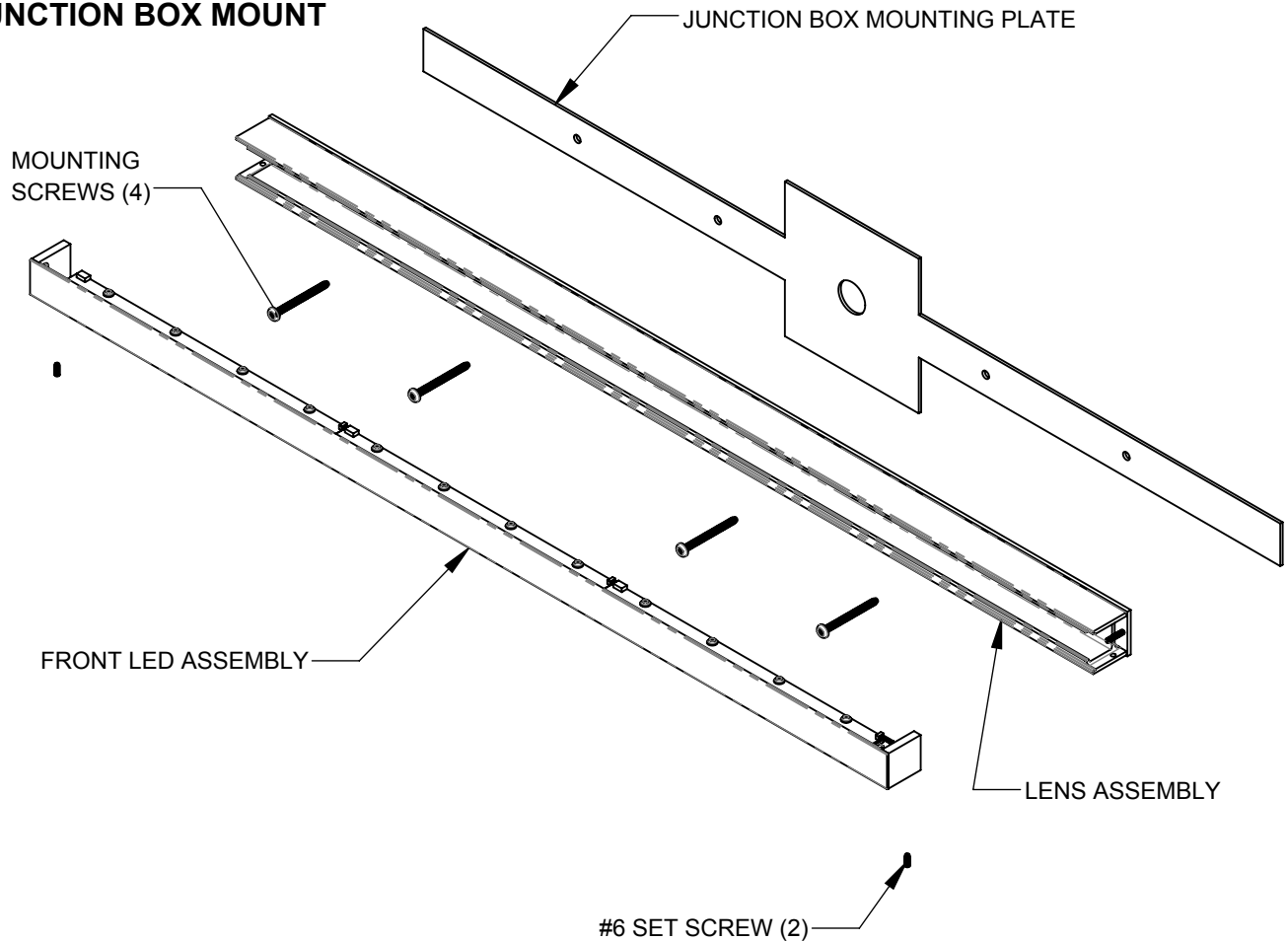
- Read all instructions carefully before installing and save for future use.
- Make sure all connections are in accordance with the National Electrical Code and local regulations.
- To avoid possible electric shock, be sure the power supply is turned off before servicing or installing the fixture.
- Service should be performed by qualified personnel.
- These instructions may not cover all details or variations. If additional information is needed, please contact Visa Lighting.

# INSTALLATION INSTRUCTIONS

Model: **Sleight**  
Fixture Family: **Mystique**  
Document Description: Installation Instructions for Sleight surface mount  
CV1976PSX Series Luminaires

**VISA LIGHTING**  
AN OLDENBURG GROUP COMPANY  
1717 West Civic Drive Milwaukee, WI 53209  
414-354-6600  
Design Modification Rights Reserved  
© Visa Lighting

## JUNCTION BOX MOUNT



1. Mount junction box mounting plate to mounting surface, covering the junction box (by others).
2. Make sure the mounting plate is level, and mark the (2) holes for 16" version or (4) holes for the 32" version (shown).
3. Remove mounting plate from the wall and drill 5/16" holes and install wall anchors.
4. Reinstall the mounting plate to the mounting surface. Secure plate with mounting screws.
5. Make all wire connection in accordance to local and national codes.
6. Mount lens assembly to wall with hardware suitable for mounting surface. Note: Make sure lens assembly is level before securing to wall.
7. Slide front LED assembly onto lens assembly aligning posts into holes in sides of front assembly and secure with set screws (2).

When using electrical equipment, basic safety precautions should always be followed, including the following:

- Read all instructions carefully before installing and save for future use.
- Make sure all connections are in accordance with the National Electrical Code and local regulations.
- To avoid possible electric shock, be sure the power supply is turned off before servicing or installing the fixture.
- Service should be performed by qualified personnel.
- These instructions may not cover all details or variations. If additional information is needed, please contact Visa Lighting.