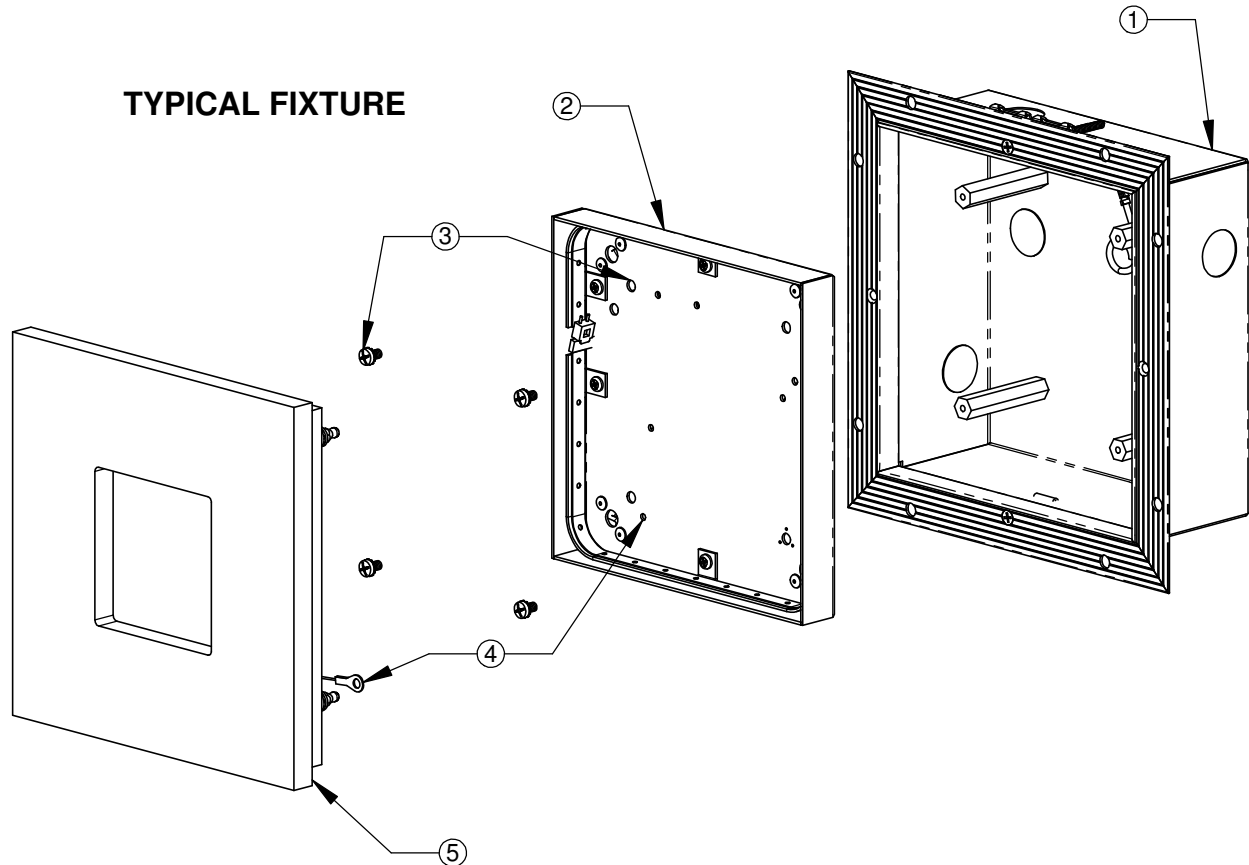


INSTALLATION INSTRUCTIONS

Model: **CV1940**
Fixture Family: **Merlin recessed**
Document Description: Installation Instructions for
Merlin recessed Series Luminaires

1717 West Civic Drive Milwaukee, WI 53209
414-354-6600
Design Modification Rights Reserved
© Visa Lighting



- 1 Install recessed box per instructions (page 2).
- 2 Wire per code
- 3 Fasten lamp plate to recessed box standoffs.
- 4 Fasten lens assembly safety cable to lamp plate.
- 5 Snap lens assembly into lamp plate.

When using electrical equipment, basic safety precautions should always be followed, including the following:

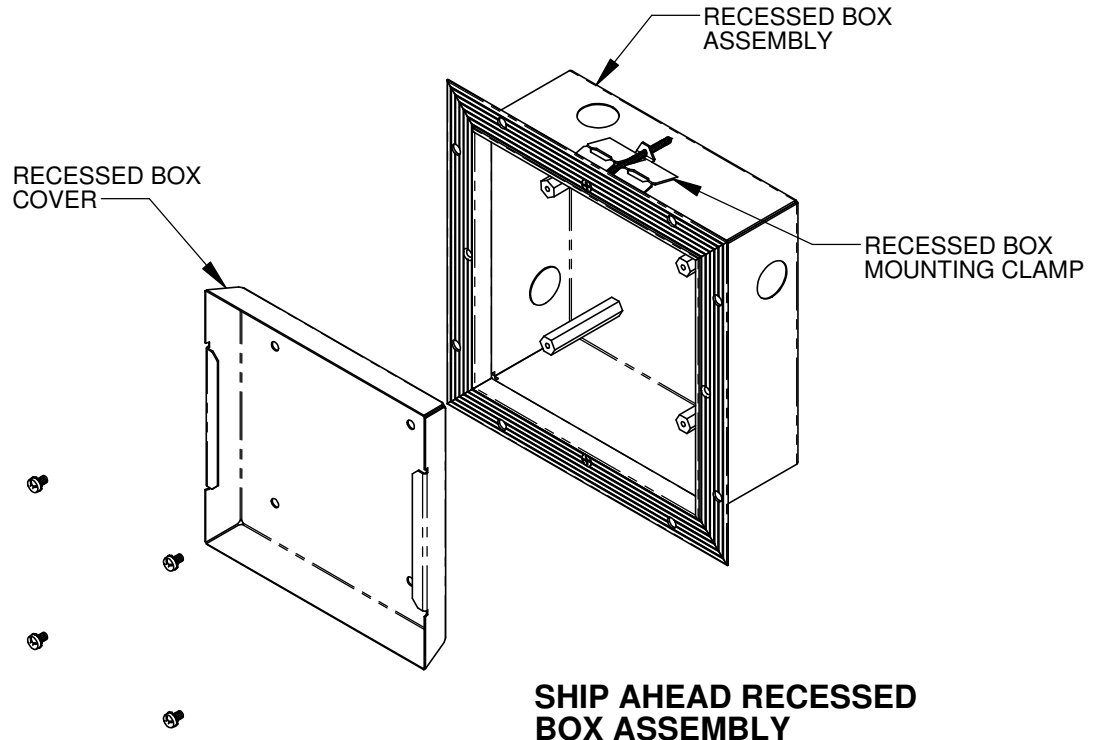
- Read all instructions carefully before installing and save for future use.
- Make sure all connections are in accordance with the National Electrical Code and local regulations.
- To avoid possible electric shock, be sure the power supply is turned off before servicing or installing the fixture.
- Service should be performed by qualified personnel.

• These instructions may not cover all details or variations. If additional information is needed, please contact Visa Lighting.

INSTALLATION INSTRUCTIONS

Model: **CV1940**
 Fixture Family: **Merlin recessed**
 Document Description: Installation Instructions for
 Merlin recessed Series Luminaires

1717 West Civic Drive Milwaukee, WI 53209
 414-354-6600
 Design Modification Rights Reserved
 © Visa Lighting



SHIP AHEAD RECESSED BOX ASSEMBLY

FIXTURE	L	W
8"	7-1/2"	7-1/2"

Note: This fixture & mud frame are intended for drywall installation only. Call factory for tile or other applications.

- 1 Determine mud frame hole size from table above.
- 2 Connect electrical through knockouts in recessed box assembly and pull wires through.
- 3 Slide recessed box assembly into rectangular hole in wall, tighten the mounting clamp screw so bracket collapses tight onto drywall. Note: Make sure box is level before tightening mounting clamp. Recessed box assembly can be mounted into wall using screws and anchors (supplied by others) and removing mounting clamp.
- 4 Recess box cover supplied to protect recessed assembly during installation and mudding process. Discard once fixture is installed.

Drawing: 760851XX

Rev: C

Sheet: 2 of 2

Eng: CGA

Date Drawn: 01/05/2011

! When using electrical equipment, basic safety precautions should always be followed, including the following:

- Read all instructions carefully before installing and save for future use.
- Make sure all connections are in accordance with the National Electrical Code and local regulations.
- To avoid possible electric shock, be sure the power supply is turned off before servicing or installing the fixture.
- Service should be performed by qualified personnel.
- These instructions may not cover all details or variations. If additional information is needed, please contact Visa Lighting.