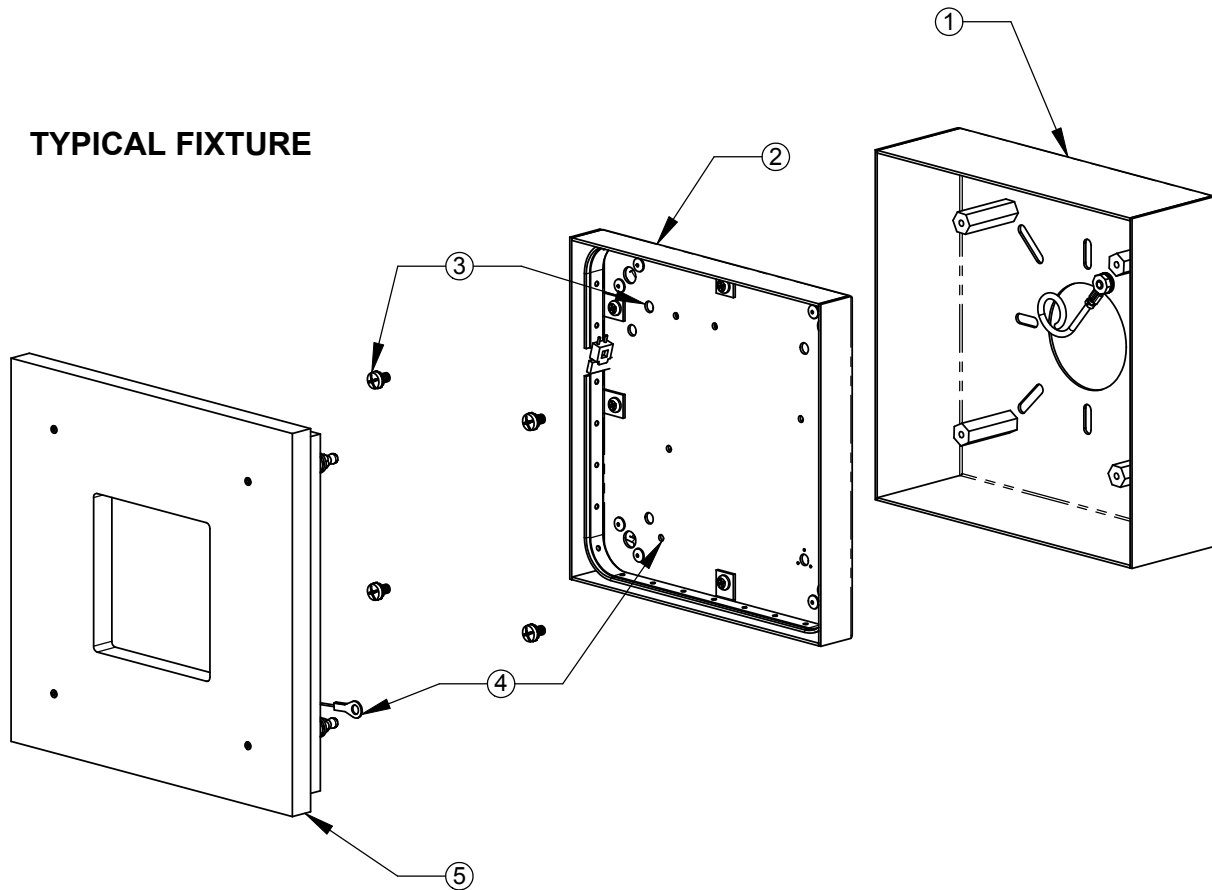


# INSTALLATION INSTRUCTIONS

Model: **CV1942**  
Fixture Family: **Merlin surface (integral power)**  
Document Description: Installation Instructions for  
Merlin surface Series Luminaires

**VISA LIGHTING**  
An Oldenburg Group Company  
1717 West Civic Drive Milwaukee, WI 53209  
414-354-6600  
Design Modification Rights Reserved  
© Visa Lighting

## TYPICAL FIXTURE



- 1 Fasten housing to junction box
- 2 Wire per code
- 3 Fasten lamp plate to housing standoffs.
- 4 Fasten lens assembly safety cable to lamp plate
- 5 Snap lens assembly into lamp plate.

When using electrical equipment, basic safety precautions should always be followed, including the following:

- Read all instructions carefully before installing and save for future use.
- Make sure all connections are in accordance with the National Electrical Code and local regulations.
- To avoid possible electric shock, be sure the power supply is turned off before servicing or installing the fixture.
- Service should be performed by qualified personnel.
- These instructions may not cover all details or variations. If additional information is needed, please contact Visa Lighting.