

INSTALLATION INSTRUCTIONS

Model: **MYSTIQUE SURFACE CANOPY**
 Fixture Family: **VOILA, WAND, DECK, ETC**
 Document Description: Installation Instructions for
 Mystique Pendant Series Luminaires

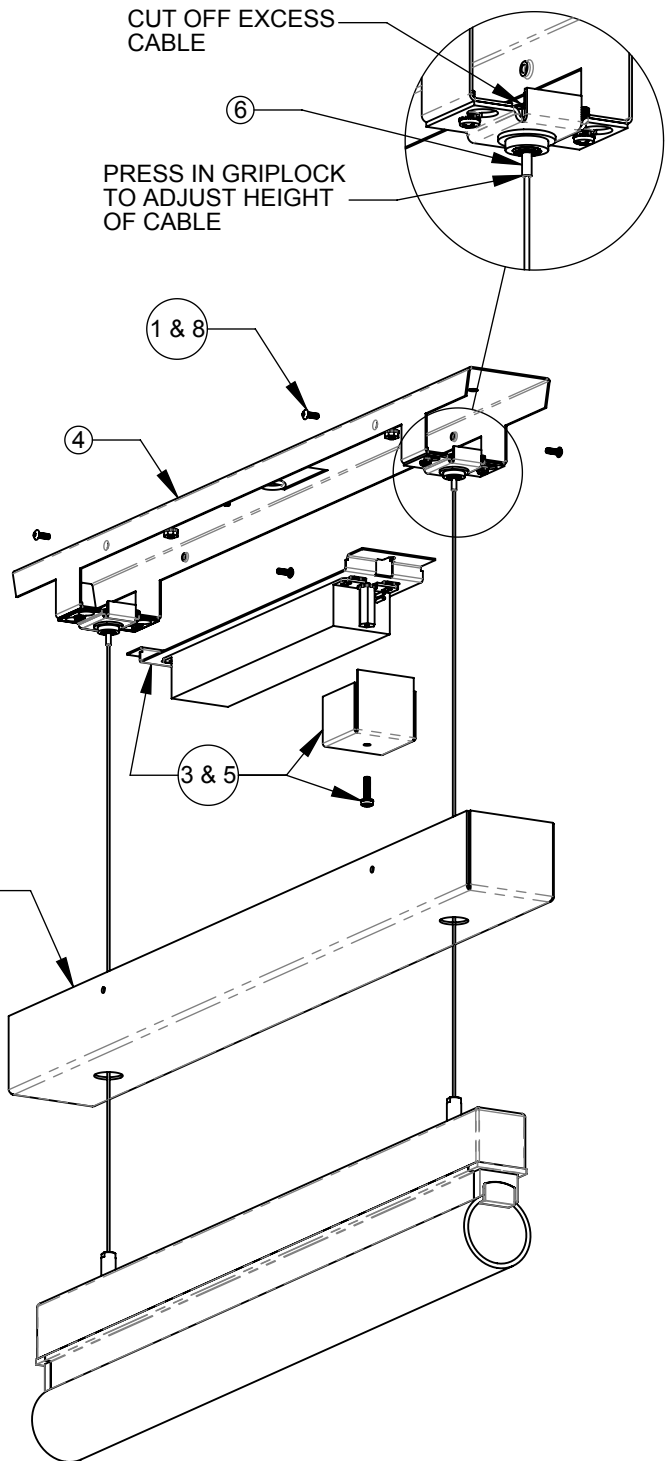
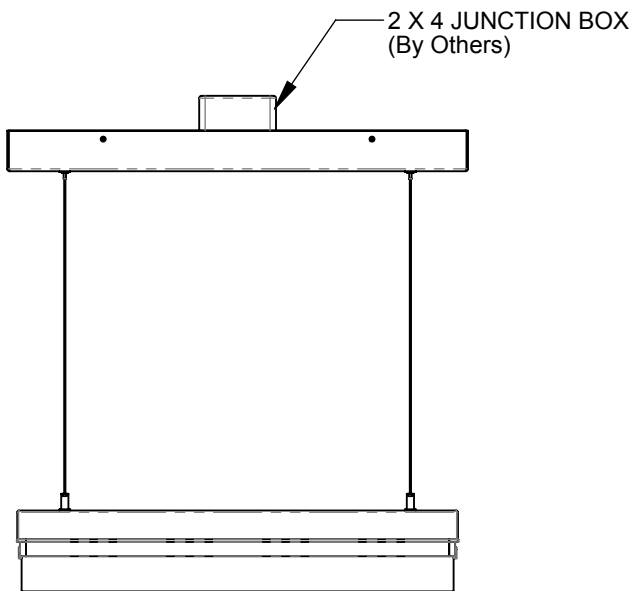
Drawing: 760877XX

Rev: A

Sheet: 1 of 1

Eng: CGA

Date Drawn: 5/17/13



- 1 Remove side screws from surface canopy.
- 2 Remove decorative canopy, place over low voltage cables from fixture.
- 3 Remove wire cover, loosen driver plate mtg nuts to slide driver plate off of the ceiling mtg strap.
- 4 Fasten mtg strap to 2x4 junction box, Install auxiliary screws to further support mtg strap.
- 5 Connect power to driver, reinstall driver plate to mtg strap & reinstall wire cover.
- 6 Install each fixture cable (1=pos +, 1=neg -) into each griplock, adjusting fixture height as necessary. Once height is adjusted, cut off excess cable @ top of griplock (these cables carry the low voltage power for the fixture and should not be in contact with any other metal surfaces).
- 7 Connect low voltage lead wires to corresponding driver output wires.
- 8 Slide decorative canopy up to ceiling and fasten with side screws.

! When using electrical equipment, basic safety precautions should always be followed, including the following:

- Read all instructions carefully before installing and save for future use.
- Make sure all connections are in accordance with the National Electrical Code and local regulations.
- To avoid possible electric shock, be sure the power supply is turned off before servicing or installing the fixture.
- Service should be performed by qualified personnel.
- These instructions may not cover all details or variations. If additional information is needed, please contact Visa Lighting.