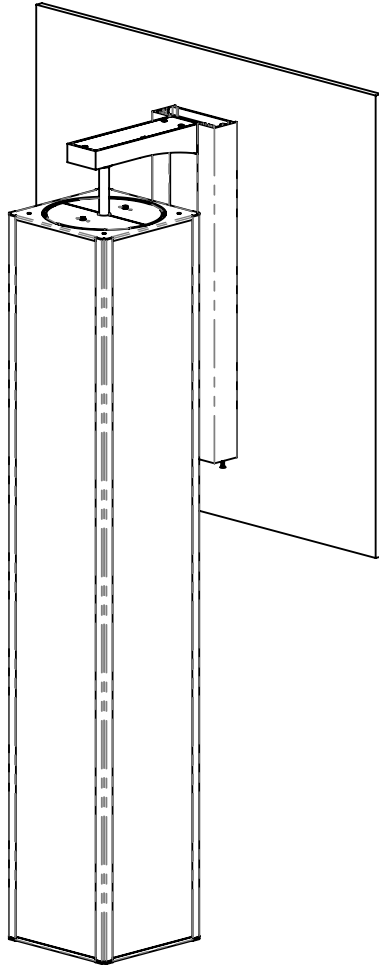


INSTALLATION INSTRUCTIONS

Model: **CB5530**
Fixture Family: **PARALLEL WALL**
Document Description: Installation Instructions for PARALLEL WALL

VISA LIGHTING
AN OLDENBURG GROUP COMPANY
1717 West Civic Drive Milwaukee, WI 53209
414-354-6600
Design Modification Rights Reserved
© Visa Lighting



PARALLEL WALL MOUNT

CB5530

Page 2: Wall Arm Assembly
Page 3: Fixture Assembly

Drawing: 760887XX

Rev: A

Sheet: 1 of 3

Eng: TPK

Date Drawn: 4/17/17

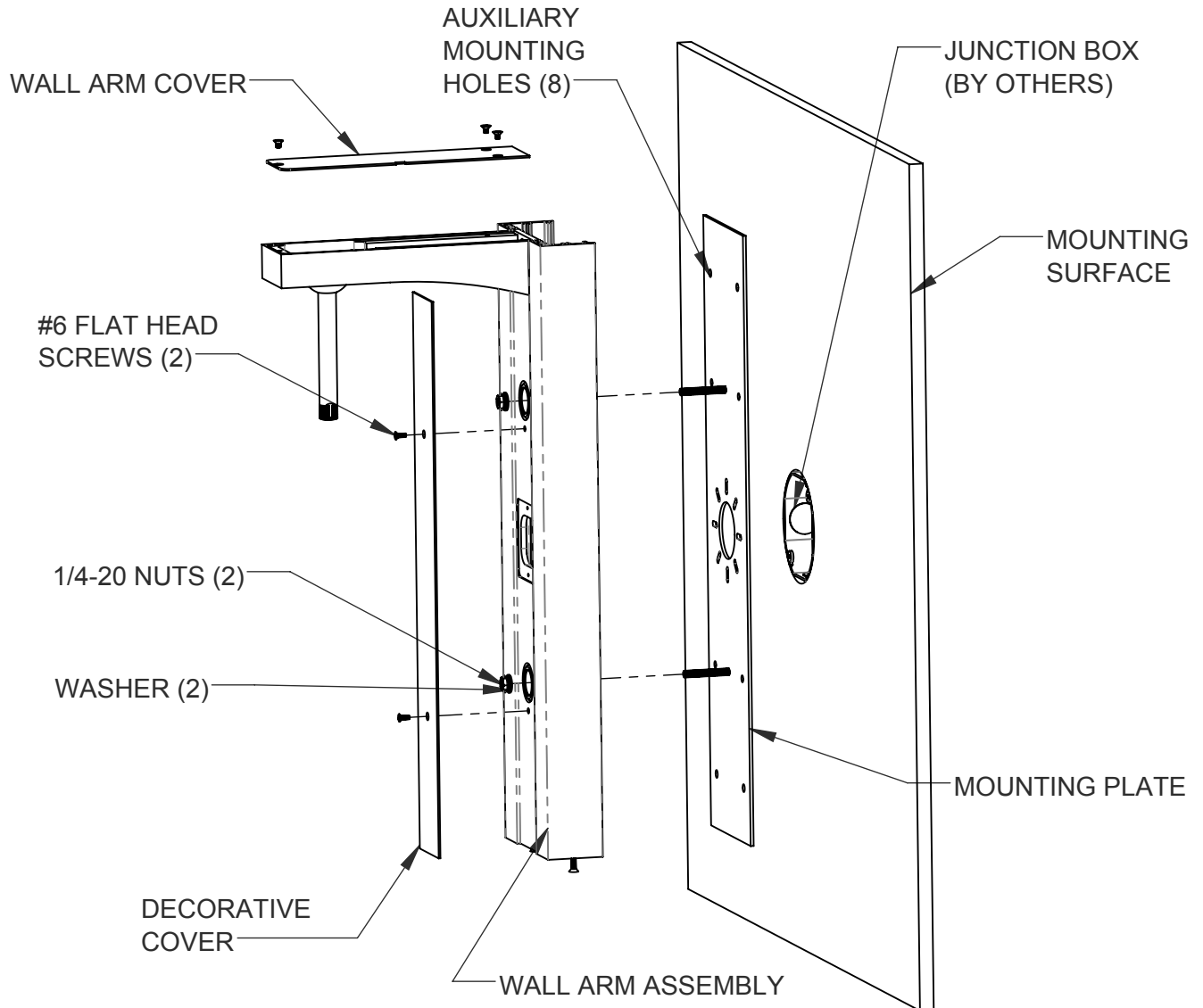
When using electrical equipment, basic safety precautions should always be followed, including the following:

- Read all instructions carefully before installing and save for future use.
- Make sure all connections are in accordance with the National Electrical Code and local regulations.
- To avoid possible electric shock, be sure the power supply is turned off before servicing or installing the fixture.
- Service should be performed by qualified personnel.

• These instructions may not cover all details or variations. If additional information is needed, please contact Visa Lighting.

INSTALLATION INSTRUCTIONS

WALL ARM ASSEMBLY



INSTRUCTIONS

1. Remove Decorative Cover and Mounting Plate. Save hardware.
2. Attach Mounting Plate to Junction Box. Secure Mounting Plate to wall using Auxiliary Mounting Holes (Hardware not provided).
3. Align Wall Arm Assembly with studs on Mounting Plate. Install Washer and 1/4-20 Nut on to Mounting Plate studs. Tighten 1/4-20 Nuts to draw Wall Arm Assembly flush with wall.
4. Make all electrical connections in accordance with local and national electric codes.
5. Re-install Decorative Cover using saved #6 Flat Screws.

When using electrical equipment, basic safety precautions should always be followed, including the following:

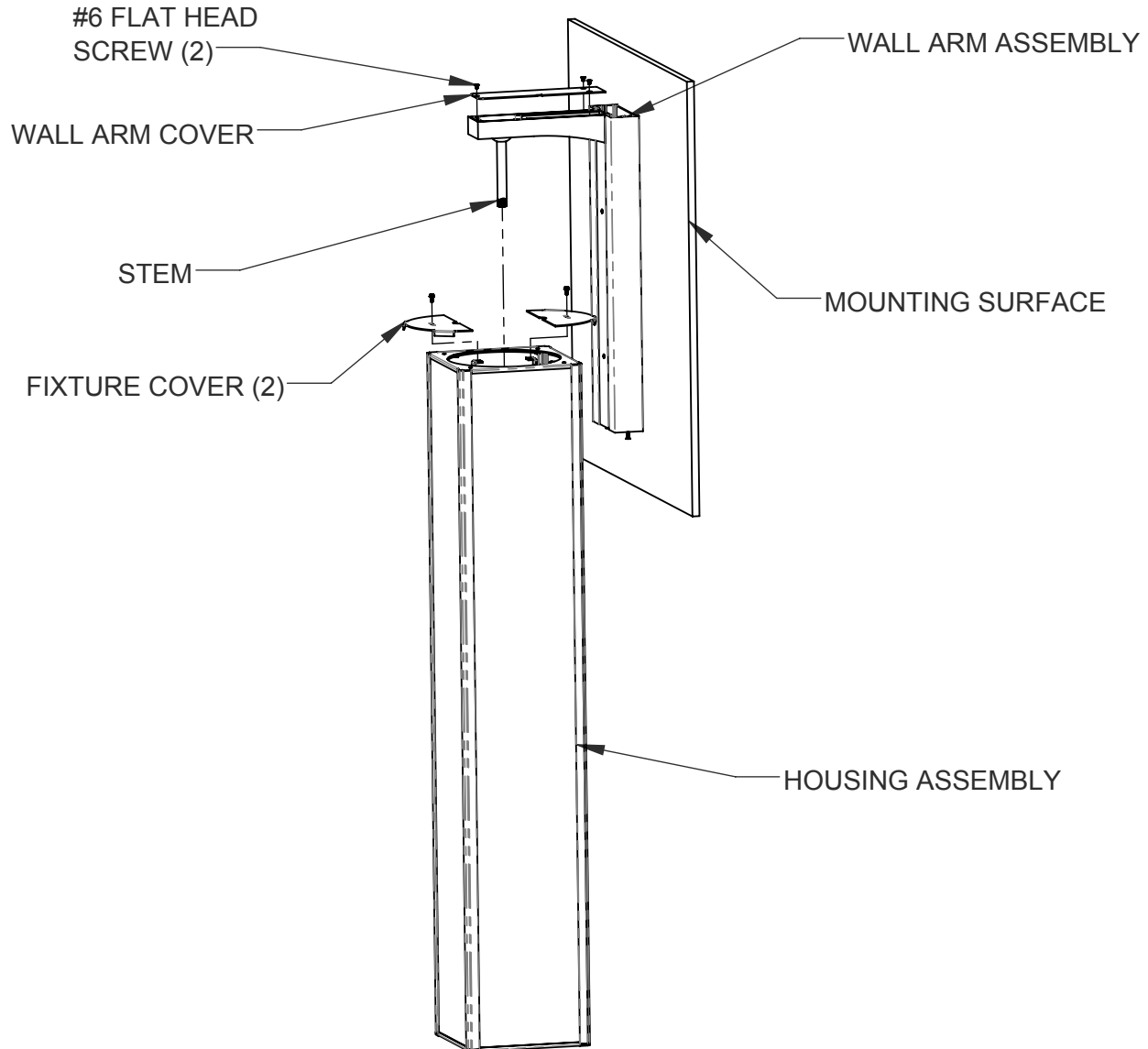
- Read all instructions carefully before installing and save for future use.
- Make sure all connections are in accordance with the National Electrical Code and local regulations.
- To avoid possible electric shock, be sure the power supply is turned off before servicing or installing the fixture.
- Service should be performed by qualified personnel.
- These instructions may not cover all details or variations. If additional information is needed, please contact Visa Lighting.

INSTALLATION INSTRUCTIONS

Model: **CB5530**
Fixture Family: **PARALLEL WALL**
Document Description: Installation Instructions for PARALLEL WALL

VISA LIGHTING
AN OLDENBURG GROUP COMPANY
1717 West Civic Drive Milwaukee, WI 53209
414-354-6600
Design Modification Rights Reserved
© Visa Lighting

FIXTURE ASSEMBLY



INSTRUCTIONS

1. Route wires up through Stem into the Wall Arm.
2. Thread Stem into Coupler and secure in place with Set Screw (not shown).
3. Make electrical connections inside Wall Arm in accordance with local and national electric codes.
4. Fasten Wall Arm Cover to Wall Arm.
5. Fasten Fixture cover to Housing Assembly (2) places.

! When using electrical equipment, basic safety precautions should always be followed, including the following:

- Read all instructions carefully before installing and save for future use.
- Make sure all connections are in accordance with the National Electrical Code and local regulations.
- To avoid possible electric shock, be sure the power supply is turned off before servicing or installing the fixture.
- Service should be performed by qualified personnel.
- These instructions may not cover all details or variations. If additional information is needed, please contact Visa Lighting.

Drawing: 76087XX

Rev: A

Sheet: 3 of 3

Eng: TPK

Date Drawn: 4/17/17