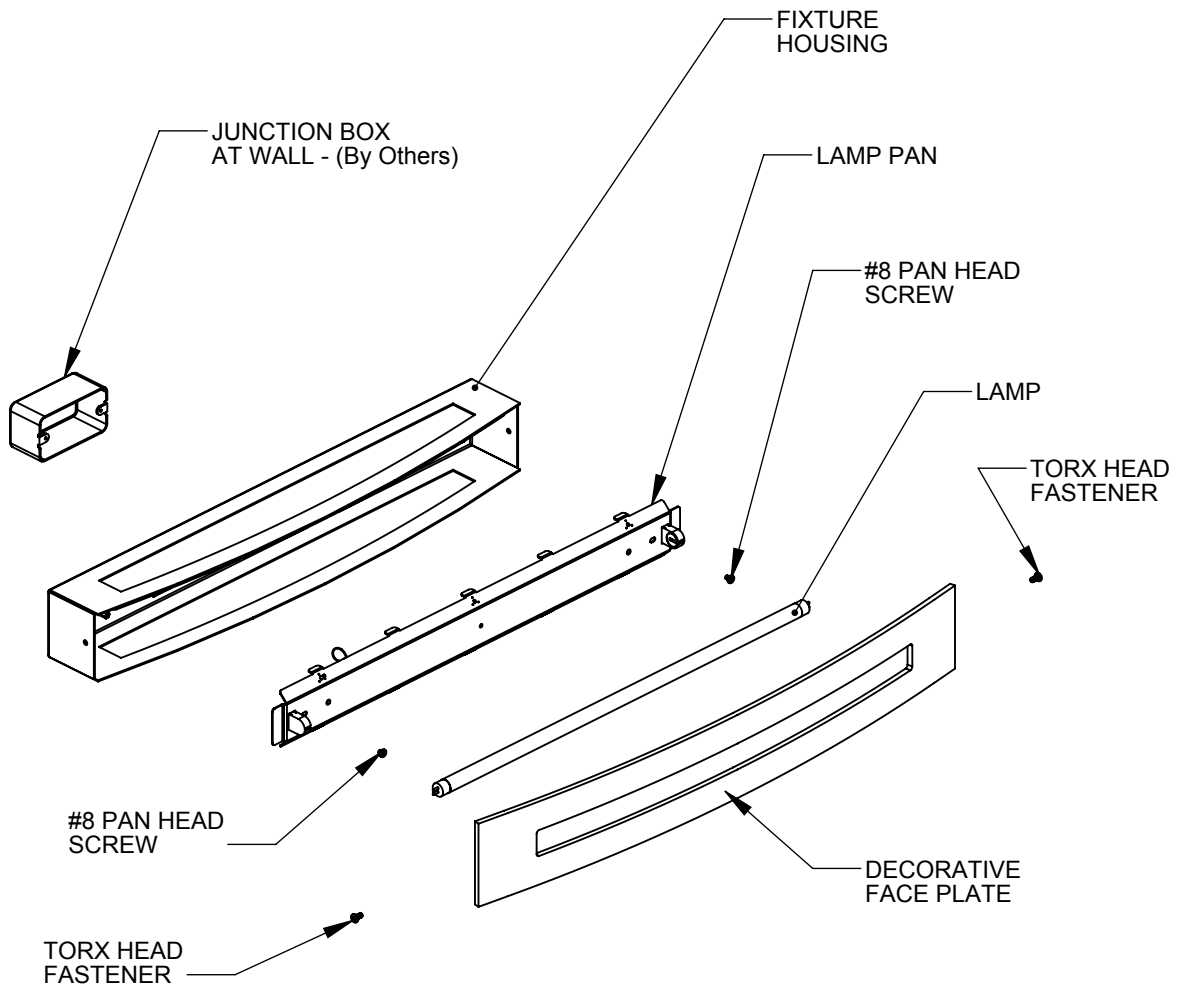


INSTALLATION INSTRUCTIONS

Model: **CB5500 / CB5502 / CB5504**
Fixture Family: **BLUSH**
Document Description: Installation Instructions for
Blush Series Luminaires

1717 West Civic Drive Milwaukee, WI 53209
414-354-6600
Design Modification Rights Reserved
© Visa Lighting

TYPICAL FIXTURE



- 1 UNSCREW TORX HEAD FASTENERS AT EACH END OF FIXTURE TO REMOVE THE DECORATIVE FACE PLATE.
- 2 REMOVE DECORATIVE FACE PLATE. SET IT, AND SCREWS, TO THE SIDE TO REASSEMBLE LATER.
- 3 UNSCREW THE TWO #8 PAN HEAD SCREWS THAT SECURE THE LAMP PAN TO THE HOUSING (SET ASIDE).
- 4 SECURE FIXTURE HOUSING TO J-BOX AND/OR WALL WITH SCREWS (BY OTHERS).
- 5 MAKE ELECTRICAL CONNECTIONS PER CODE.
- 6 RESECURE LAMP PAN IN PLACE WITH ORIGINAL #8 PAN HEAD SCREWS.
- 7 RESECURE DECORATIVE FACE PLATE WITH PROVIDED TORX HEAD FASTENERS. **NOTE: CURVED FRONT EDGES OF HOUSING OPENING MUST ALIGN AND SLIDE BACK INTO LINEAR GROOVES ON THE REAR SIDE OF FACE PLATE.**

When using electrical equipment, basic safety precautions should always be followed, including the following:

- Read all instructions carefully before installing and save for future use.
- Make sure all connections are in accordance with the National Electrical Code and local regulations.
- To avoid possible electric shock, be sure the power supply is turned off before servicing or installing the fixture.
- Service should be performed by qualified personnel.
- These instructions may not cover all details or variations. If additional information is needed, please contact Visa Lighting.