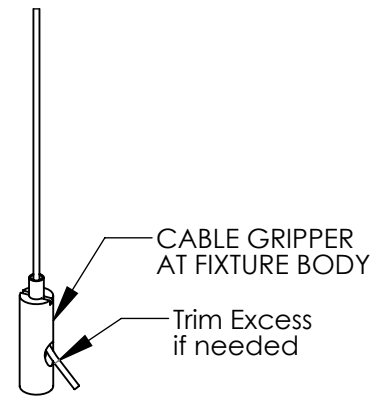


**INSTALLING FIXTURE TO JUNCTION BOX**



**AT FIXTURE BODY**

**Preparation**

Check all instructions with the fixture as some preparation may be necessary before the following steps.

Installation is intended for a flat horizontal ceiling.

**Instructions**

- 1) Loosen Canopy Screws (do not remove) so canopy can drop from mounting plate.
- 2) Fasten mounting plate to junction box with 8-32 screws provided with junction box.
- 3) Make all wire connections per local and national codes.
- 4) Adjust cables at fixture body so power cord is not being strained and fixture is level.
- 5) Trim excess cable if needed.
- 6) Lift canopy in place and secure with screws provided.
- 7) Test

When using electrical equipment, basic safety precautions should always be followed, including the following:  
 1) Read all instructions carefully before installing and save for future use. Make sure all connections are in accordance with the National Electrical Code and local regulations.  
 2) To avoid possible electric shock, be sure the power supply is turned off before servicing or installing the fixture. Service should be performed by qualified personnel.  
 3) These instructions may not cover all details or variations. If additional information is needed, please contact Visa Lighting.

**Drawing : 761976XX**  
**Rev : A**    **Sheet 1 of 1**