

# INSTALLATION INSTRUCTIONS



AN OLDENBURG GROUP COMPANY

1717 West Civic Drive Milwaukee, WI 53209

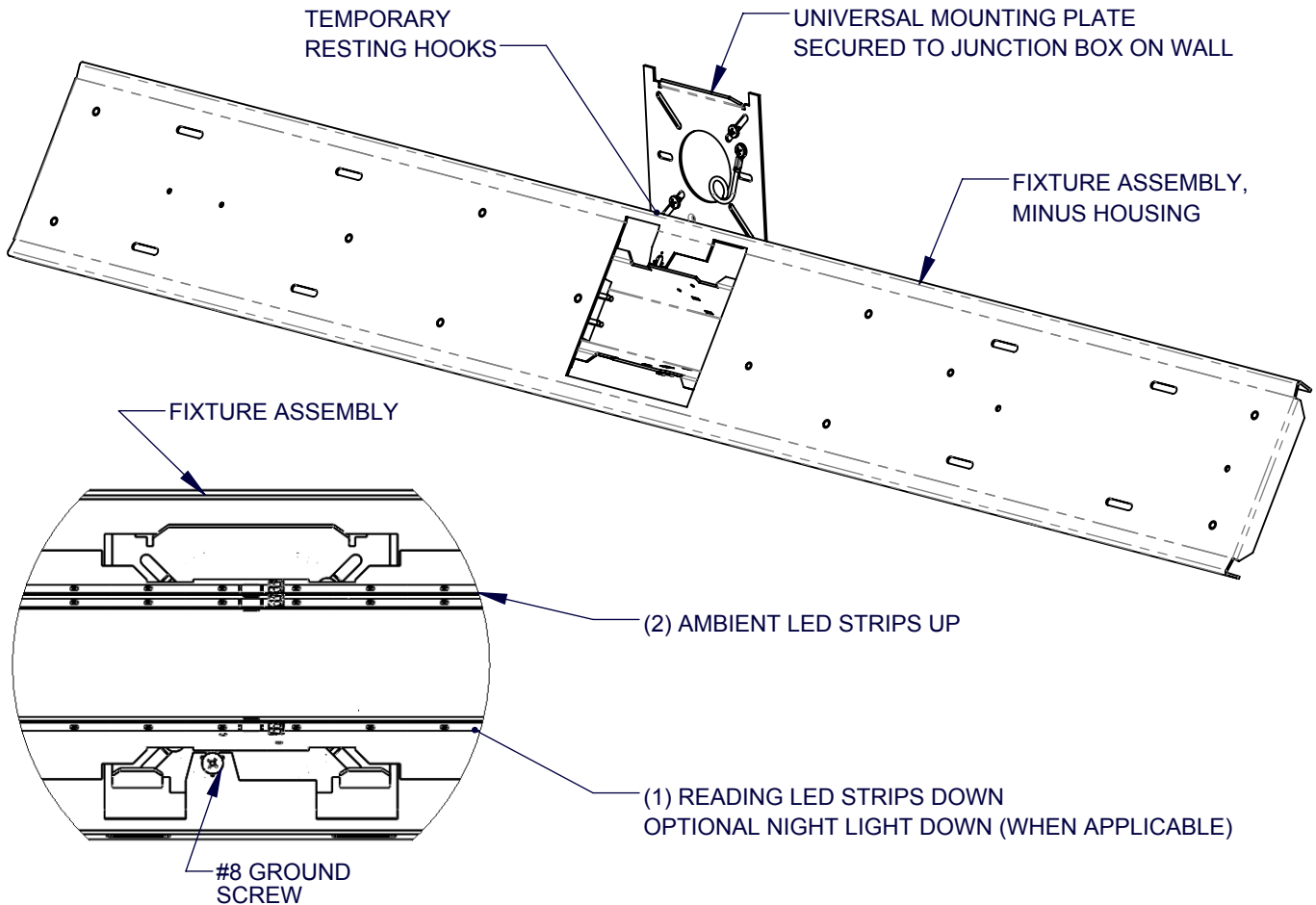
414-354-6600

Design Modification Rights Reserved

© Visa Lighting

Model: **CB1934 HEAD WALL**  
Fixture Family: **SERENITY**  
Document Description: Installation Instructions for  
Serenity Series Luminaires

## TYPICAL FIXTURE



- 1 Remove mounting plate from fixture assembly. Save #8 ground screw for later use.
- 2 Level and secure mounting plate to junction box and wall. Screws & J-box by others. Orient the plate so the continuous flange is at the top and the two "hook" features are at the bottom.
- 3 With fixture assembly upside down and two obround holes (near the center) toward the wall, hook the fixture assembly on the temporary rest hooks. Fixture assembly will rest upside down on the hooks against the wall during electrical connections.
- 4 Make electrical connections per code.
- 5 Lift fixture assembly off the bottom hooks, flip fixture right side up and hang fixture assembly in place on the mounting plates top continuous flange. Resecure #8 ground screw back into its original place. **NOTE: FIXTURE ASSEMBLY SHOULD BE ORIENTED SO THE (2) AMBIENT LED STRIPS WILL BE ON TOP AND THE (1) READING LED STRIP WILL BE ON THE BOTTOM. NIGHT LIGHT LEDS (WHEN OPTION IS REQUESTED) WILL BE ON THE BOTTOM.**
- 6 Recheck for level and secure fixture to wall with auxiliary mounting screws (by others).

When using electrical equipment, basic safety precautions should always be followed, including the following:

- Read all instructions carefully before installing and save for future use.
- Make sure all connections are in accordance with the National Electrical Code and local regulations.
- To avoid possible electric shock, be sure the power supply is turned off before servicing or installing the fixture.
- Service should be performed by qualified personnel.
- These instructions may not cover all details or variations. If additional information is needed, please contact Visa Lighting.

Drawing: 761991XX

Rev: B

Sheet: 1 of 2

Eng: SLN

Date Drawn: 3/18/2014

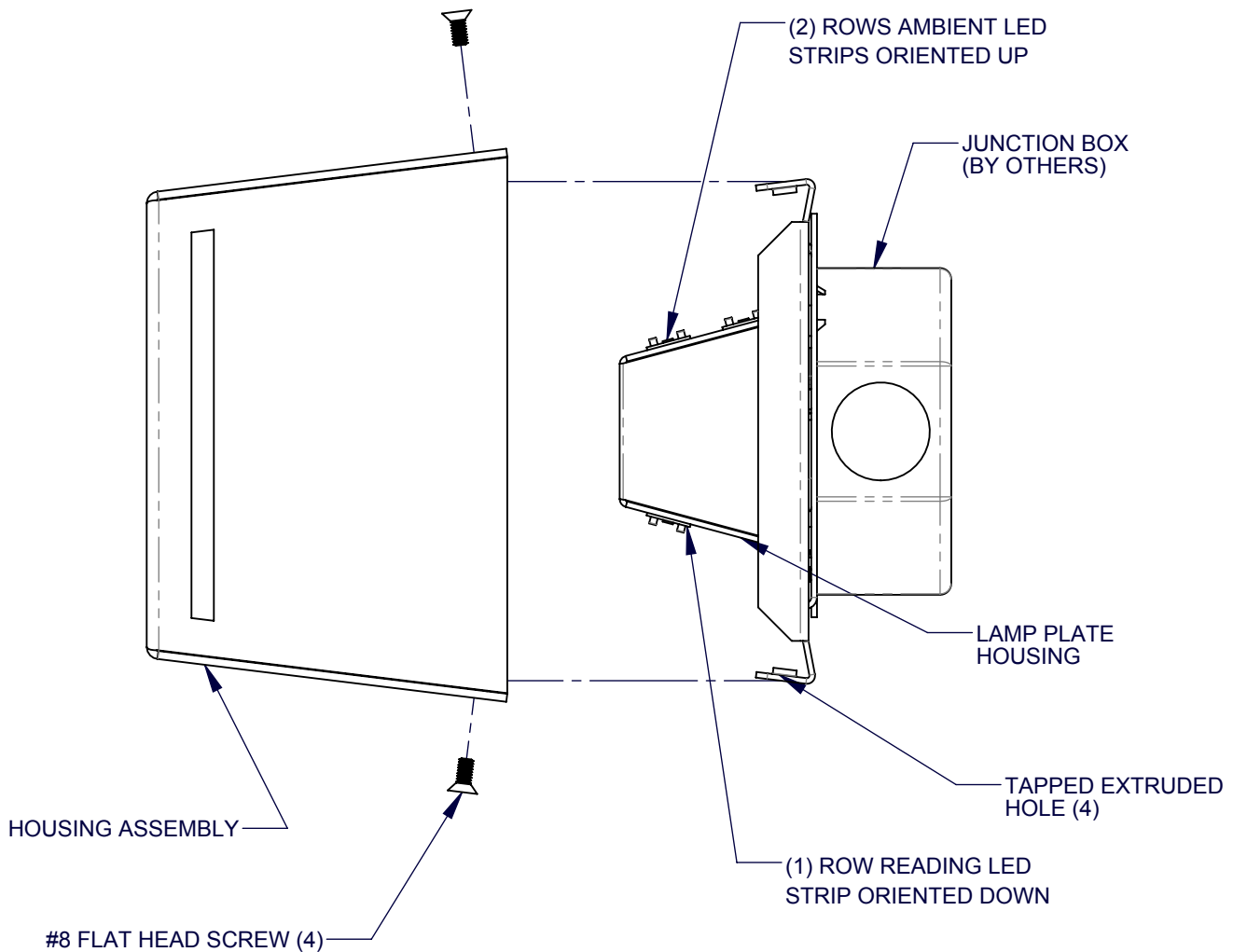
# INSTALLATION INSTRUCTIONS



**VISA LIGHTING**  
AN OLDENBURG GROUP COMPANY

Model: **CB1934 HEAD WALL**  
Fixture Family: **SERENITY**  
Document Description: Installation Instructions for  
Serenity Series Luminaires

1717 West Civic Drive Milwaukee, WI 53209  
414-354-6600  
Design Modification Rights Reserved  
© Visa Lighting



NOTE: If pull chain option is selected, insert chain in housing hole before securing housing to fixture assembly.

7. With fixture assembly secured to the wall (minus housing), engage housing to fixture assembly so the housing's lower flange hooks under the backplate's lower mounting flange. (Shown above)
8. Pivot top of housing toward the wall until the top rear edge touches the wall and the housing's upper flange slides over the backplate upper mounting flange.
9. Tighten (2) provided #8 set screws until they engage the backplate upper mounting flange. Tighten until housing is snug to wall. (CAUTION - DO NOT OVER TIGHTEN)

When using electrical equipment, basic safety precautions should always be followed, including the following:

- Read all instructions carefully before installing and save for future use.
- Make sure all connections are in accordance with the National Electrical Code and local regulations.
- To avoid possible electric shock, be sure the power supply is turned off before servicing or installing the fixture.
- Service should be performed by qualified personnel.
- These instructions may not cover all details or variations. If additional information is needed, please contact Visa Lighting.

Drawing: 761991XX

Rev: B

Sheet: 2 of 2

Eng: SLN

Date Drawn: 3/18/2014