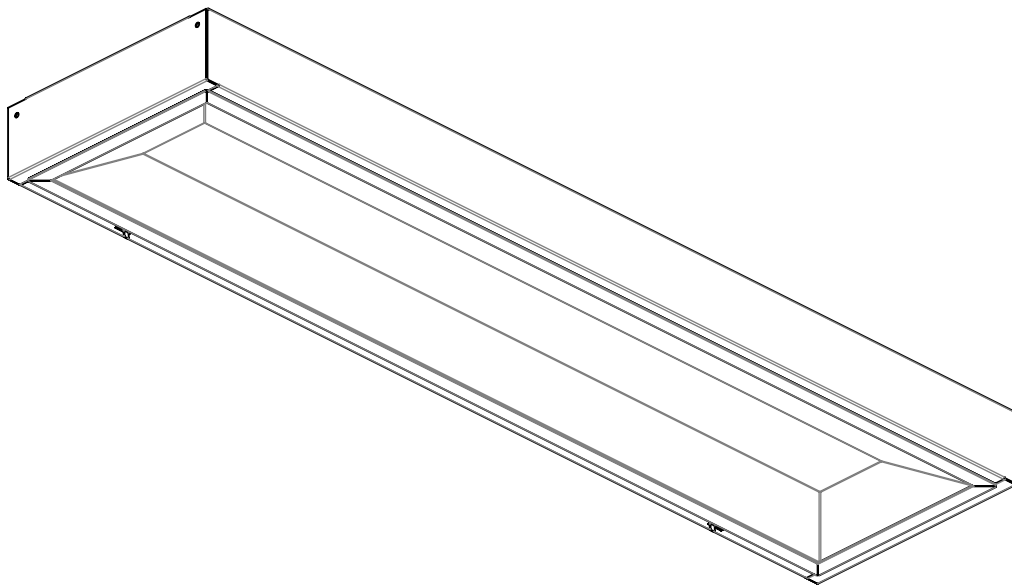


INSTALLATION INSTRUCTIONS

Model: **SERENITY**
Fixture Family: **CEILING RECESSED MOUNT**
Document Description: Installation Instructions for
CM1930 Tandem Series Luminaires

VISA LIGHTING
AN OLDENBURG GROUP COMPANY
1717 West Civic Drive Milwaukee, WI 53209
414-354-6600
Design Modification Rights Reserved
© Visa Lighting



SERENITY TANDEM CEILING RECESSED MOUNT

CM1930

Drawing: 762001XX

Rev: B

Sheet: 1 of 8

Eng: CLD

Date Drawn: 04/21/17

! When using electrical equipment, basic safety precautions should always be followed, including the following:

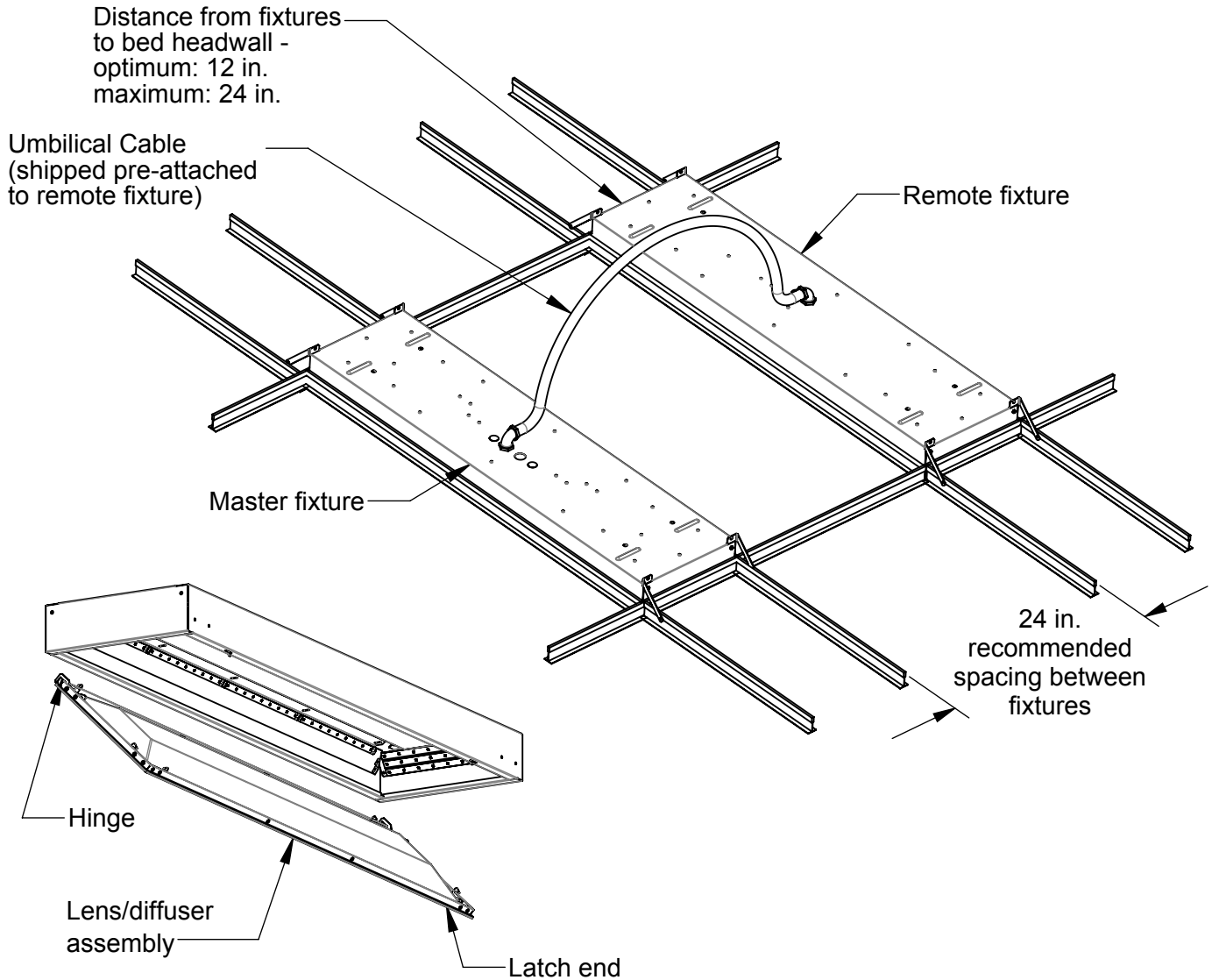
- Read all instructions carefully before installing and save for future use.
- Make sure all connections are in accordance with the National Electrical Code and local regulations.
- To avoid possible electric shock, be sure the power supply is turned off before servicing or installing the fixture.
- Service should be performed by qualified personnel.
- These instructions may not cover all details or variations. If additional information is needed, please contact Visa Lighting.

INSTALLATION INSTRUCTIONS

Model: **SERENITY**
Fixture Family: **CEILING RECESSED MOUNT**
Document Description: Installation Instructions for
CM1930 Tandem Series Luminaires

VISA LIGHTING
AN OLDENBURG GROUP COMPANY
1717 West Civic Drive Milwaukee, WI 53209
414-354-6600
Design Modification Rights Reserved
© Visa Lighting

TYPICAL GRID CEILING RECESSED FIXTURE INSTALLATION



1. Each fixture must be surrounded by standard NEMA type G T-bar flanges/grid system. Flange spacing on the "long" axis of the fixtures should be 48" nominal (standard 4-foot). Flange spacing on the "short" axis of the fixtures should be 1' center-to-center. It may be necessary to modify an existing grid installation to accommodate the fixtures.
2. See recommended spacing between each fixture, and distance from bed headwall listed above
3. Remove the lens/diffuser assembly from each fixture before attempting installation by unlatching one end. Swing frame down/out approximately 45° and unhook hinge. Set assemblies aside and reinstall as last step of installation.

When using electrical equipment, basic safety precautions should always be followed, including the following:

- Read all instructions carefully before installing and save for future use.
- Make sure all connections are in accordance with the National Electrical Code and local regulations.
- To avoid possible electric shock, be sure the power supply is turned off before servicing or installing the fixture
- Service should be performed by qualified personnel.
- These instructions may not cover all details or variations. If additional information is needed, please contact Visa Lighting.

Drawing: 762001XX

Rev: B

Sheet: 2 of 8

Eng: CLD

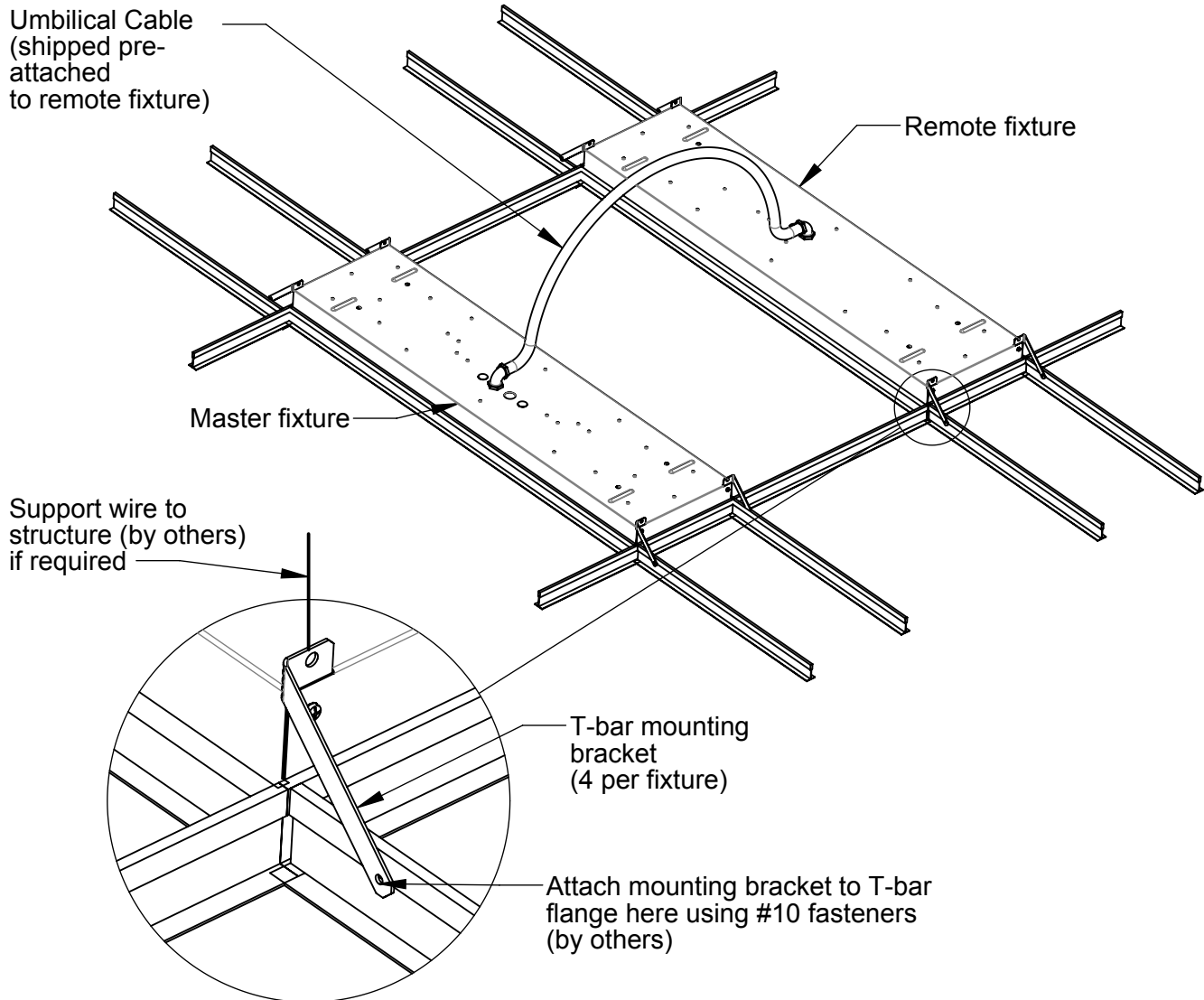
Date Drawn: 04/21/17

INSTALLATION INSTRUCTIONS

Model: **SERENITY**
Fixture Family: **CEILING RECESSED MOUNT**
Document Description: Installation Instructions for
CM1930 Tandem Series Luminaires

VISA LIGHTING
AN OLDENBURG GROUP COMPANY
1717 West Civic Drive Milwaukee, WI 53209
414-354-6600
Design Modification Rights Reserved
© Visa Lighting

TYPICAL GRID CEILING RECESSED FIXTURE INSTALLATION



1. Install the fixtures into the grid flange system by lifting the fixtures at an angle through the opening and lowering them onto the grid flanges.
2. Install T-bar mounting brackets to each of the four corners of each fixture with provided screws, nuts, and washers as shown.
3. Attach fixture to T-bar grid system at all four corners using #10 fasteners (not included) through holes in mounting brackets. It may be necessary to drill a hole in the vertical web of the T-bar grid members.
4. If required by code or weight restrictions of the ceiling grid, affix support wires from the building structure to the attachment eyelets in the mounting brackets as shown.

When using electrical equipment, basic safety precautions should always be followed, including the following:

- Read all instructions carefully before installing and save for future use.
- Make sure all connections are in accordance with the National Electrical Code and local regulations.
- To avoid possible electric shock, be sure the power supply is turned off before servicing or installing the fixture.
- Service should be performed by qualified personnel.
- These instructions may not cover all details or variations. If additional information is needed, please contact Visa Lighting.

Drawing: 762001XX

Rev: B

Sheet: 3 of 8

Eng: CLD

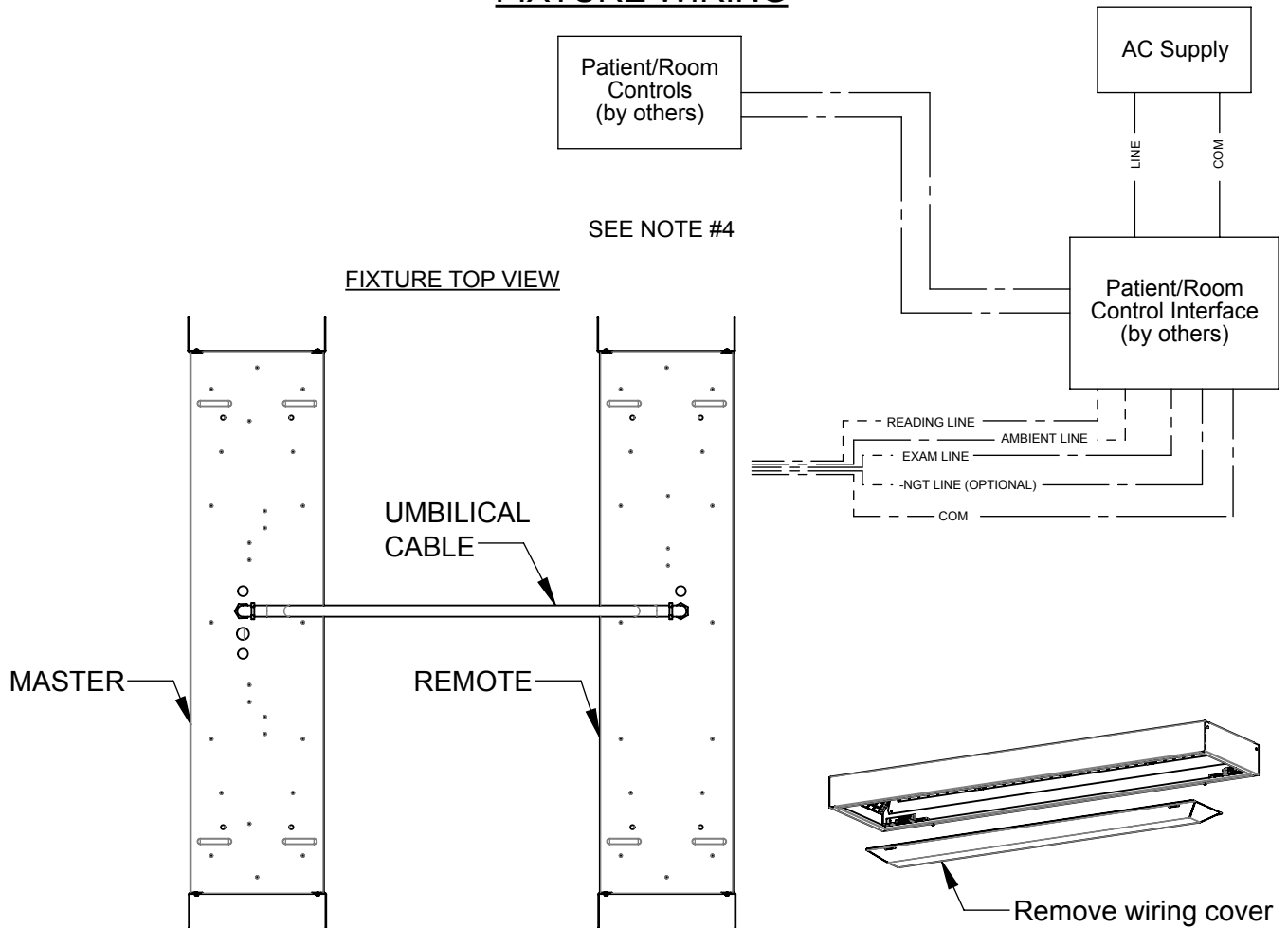
Date Drawn: 04/2/117

INSTALLATION INSTRUCTIONS

Model: **SERENITY**
 Fixture Family: **CEILING RECESSED MOUNT**
 Document Description: Installation Instructions for
 CM1930 Tandem Series Luminaires

VISA LIGHTING
 AN OLDENBURG GROUP COMPANY
 1717 West Civic Drive Milwaukee, WI 53209
 414-354-6600
 Design Modification Rights Reserved
 © Visa Lighting

FIXTURE WIRING



1. Remove the wiring cover in the master fixture by unscrewing (4) #8 screws.
2. Install the free end of the umbilical cable from the remote fixture into the master fixture and secure the plate with supplied nuts.
3. Plug the connector(s) together inside the master fixture to complete the electrical circuits to the remote fixture.
4. Make connections to line voltage per the diagram above.
5. All connections to fixture driver are at line voltage. Use of a separate control interface (by others), is required to control fixture by means other than line-voltage switches.
6. All AC inputs to fixture must be supplied from the same branch circuit.
7. After making wiring connections, reinstall the wiring cover in the master fixture, and reinstall lens/diffuser frames that were removed before installation in the grid system.
8. Ambient line and exam line must both be energized to achieve exam light levels on patient bed surface.
9. All electrical connections are made in the master fixture.

! When using electrical equipment, basic safety precautions should always be followed, including the following:

- Read all instructions carefully before installing and save for future use.
- Make sure all connections are in accordance with the National Electrical Code and local regulations.
- To avoid possible electric shock, be sure the power supply is turned off before servicing or installing the fixture.
- Service should be performed by qualified personnel.
- These instructions may not cover all details or variations. If additional information is needed, please contact Visa Lighting.

Drawing: 762001XX

Rev: B

Sheet: 4 of 8

Eng: CLD

Date Drawn: 04/21/17

INSTALLATION INSTRUCTIONS



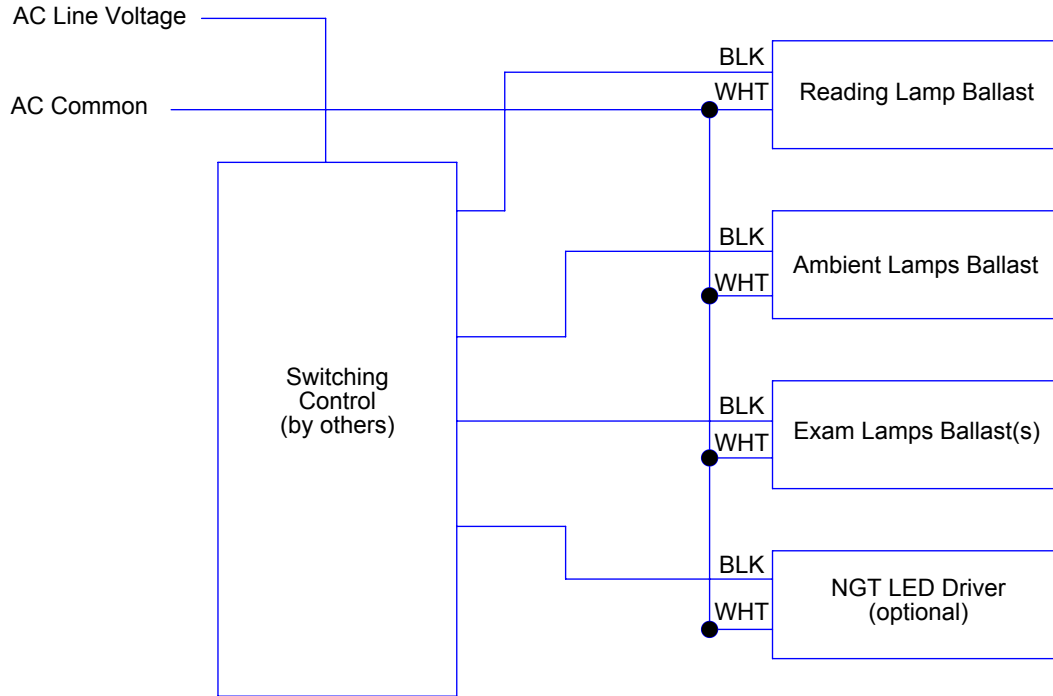
AN OLDENBURG GROUP COMPANY

1717 West Civic Drive Milwaukee, WI 53209
414-354-6600

Design Modification Rights Reserved
© Visa Lighting

Model: **SERENITY**
Fixture Family: **CEILING RECESSED MOUNT**
Document Description: Installation Instructions for
CM1930 Tandem Series Luminaires

INTERNAL WIRING BLOCK DIAGRAM



Drawing: 762001XX

Rev: B

Sheet: 5 of 8

Eng: CLD

Date Drawn: 04/21/17



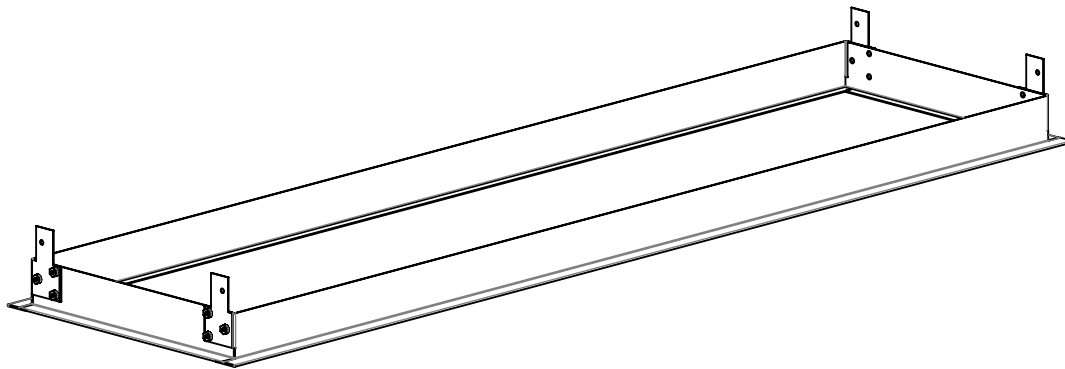
When using electrical equipment, basic safety precautions should always be followed, including the following:

- Read all instructions carefully before installing and save for future use.
- Make sure all connections are in accordance with the National Electrical Code and local regulations.
- To avoid possible electric shock, be sure the power supply is turned off before servicing or installing the fixture.
- Service should be performed by qualified personnel.
- These instructions may not cover all details or variations. If additional information is needed, please contact Visa Lighting.

INSTALLATION INSTRUCTIONS

Model: **SERENITY**
Fixture Family: **CEILING RECESSED MOUNT**
Document Description: Installation Instructions for
CM1930 Tandem Series Luminaires

 **VISA LIGHTING**
AN OLDENBURG GROUP COMPANY
1717 West Civic Drive Milwaukee, WI 53209
414-354-6600
Design Modification Rights Reserved
© Visa Lighting



DRYWALL INSTALLATION KIT (SRI) FOR RECESSED SERENITY

CM1930

Drawing: 762001XX

Rev: B

Sheet: 6 of 8

Eng: CLD

Date Drawn: 04/21/17

! When using electrical equipment, basic safety precautions should always be followed, including the following:

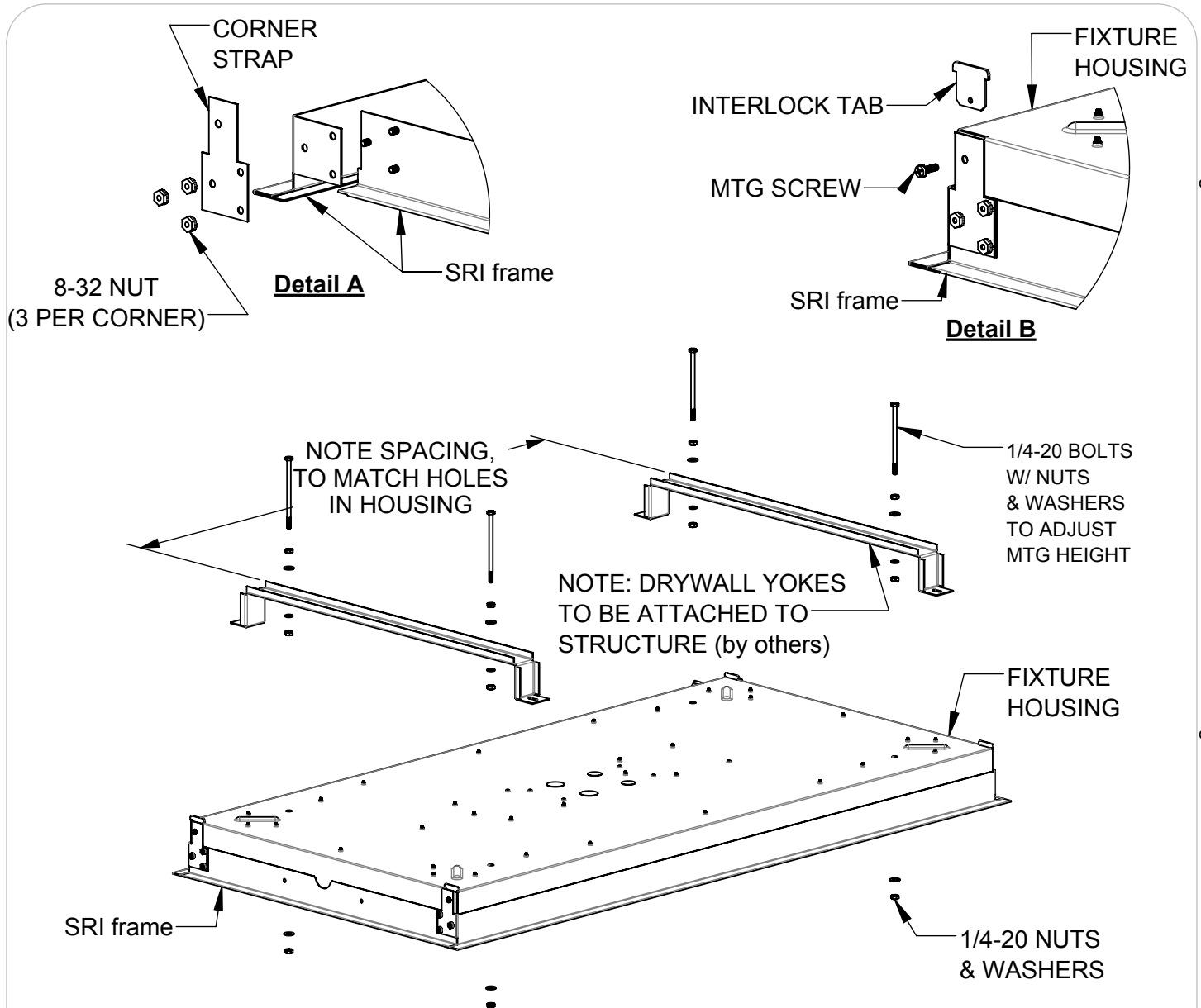
- Read all instructions carefully before installing and save for future use.
- Make sure all connections are in accordance with the National Electrical Code and local regulations.
- To avoid possible electric shock, be sure the power supply is turned off before servicing or installing the fixture.
- Service should be performed by qualified personnel.
- These instructions may not cover all details or variations. If additional information is needed, please contact Visa Lighting.

INSTALLATION INSTRUCTIONS



Model: **SERENITY**
 Fixture Family: **CEILING RECESSED MOUNT**
 Document Description: Installation Instructions for
 CM1930 Tandem Series Luminaires

1717 West Civic Drive Milwaukee, WI 53209
 414-354-6600
 Design Modification Rights Reserved
 © Visa Lighting



1. SRI frame - Assemble corners as illustrated in Detail A using (3) 8-32 nuts at each corner.
2. Slide FIXTURE HOUSING into SRI frame.
3. Insert INTERLOCK TAB into corner slot on top of the FIXTURE HOUSING, fasten MTG SCREW through hole in CORNER STRAP, into the INTERLOCK TAB as shown in Detail B (all 4 corners).
4. Attach DRYWALL YOKES to structure around opening (match spacing to holes in housing).
5. Install and adjust 1/4-20 bolts to correct finished length needed for flush fixture mounting.
6. Attach fixture to 1/4-20 bolts using washers and nuts.

Drawing: 762001XX

Rev: B

Sheet: 7 of 8

Eng: CLD

Date Drawn: 04/21/17



When using electrical equipment, basic safety precautions should always be followed, including the following:

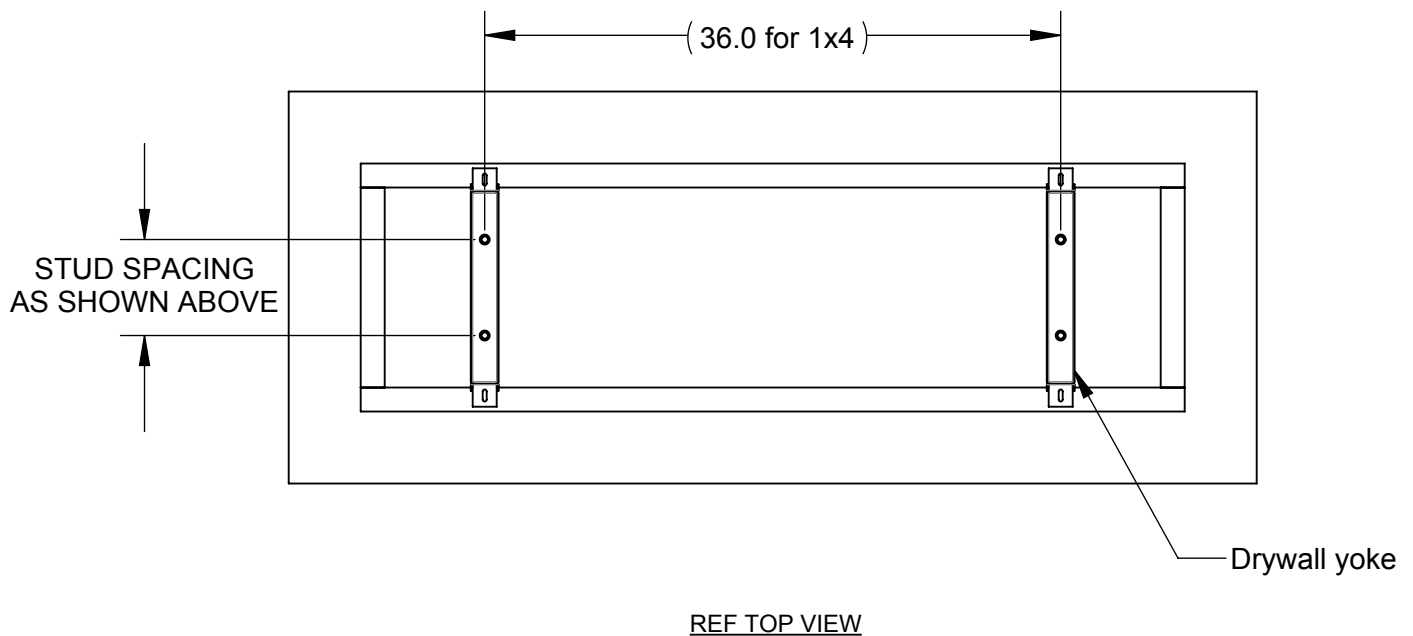
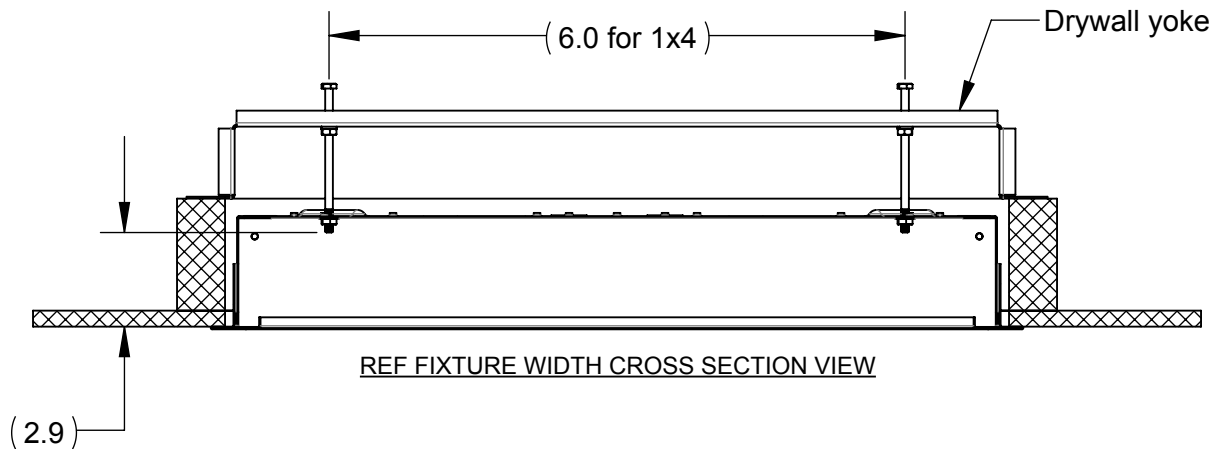
- Read all instructions carefully before installing and save for future use.
- Make sure all connections are in accordance with the National Electrical Code and local regulations.
- To avoid possible electric shock, be sure the power supply is turned off before servicing or installing the fixture.
- Service should be performed by qualified personnel.
- These instructions may not cover all details or variations. If additional information is needed, please contact Visa Lighting.

INSTALLATION INSTRUCTIONS



Model: **SERENITY**
Fixture Family: **CEILING RECESSED MOUNT**
Document Description: Installation Instructions for
CM1930 Tandem Series Luminaires

1717 West Civic Drive Milwaukee, WI 53209
414-354-6600
Design Modification Rights Reserved
© Visa Lighting



1. Attach DRYWALL YOKES to structure around opening (match spacing to holes in housing).
2. Stud spacing as shown above for 1x4 fixtures.
3. Adjust stud length such that bottom of stud is approximately 2.9" from ceiling surface

Drawing: 762001XX

Rev: B

Sheet: 8 of 8

Eng: CLD

Date Drawn: 04/21/17

- !** When using electrical equipment, basic safety precautions should always be followed, including the following:
- Read all instructions carefully before installing and save for future use.
 - Make sure all connections are in accordance with the National Electrical Code and local regulations.
 - To avoid possible electric shock, be sure the power supply is turned off before servicing or installing the fixture
 - Service should be performed by qualified personnel.
 - These instructions may not cover all details or variations. If additional information is needed, please contact Visa Lighting.