

INSTALLATION INSTRUCTIONS

Model: **CP2026, CP2028, CP2030**
Fixture Family: **SEQUENCE LED**
Document Description: Installation Instructions for SEQUENCE
LED Series Luminaires

 **VISA LIGHTING**
AN OLDENBURG GROUP COMPANY
1717 West Civic Drive Milwaukee, WI 53209
414-354-6600
Design Modification Rights Reserved
© Visa Lighting 2014

SEQUENCE LED

CP2026, CP2028, CP2030

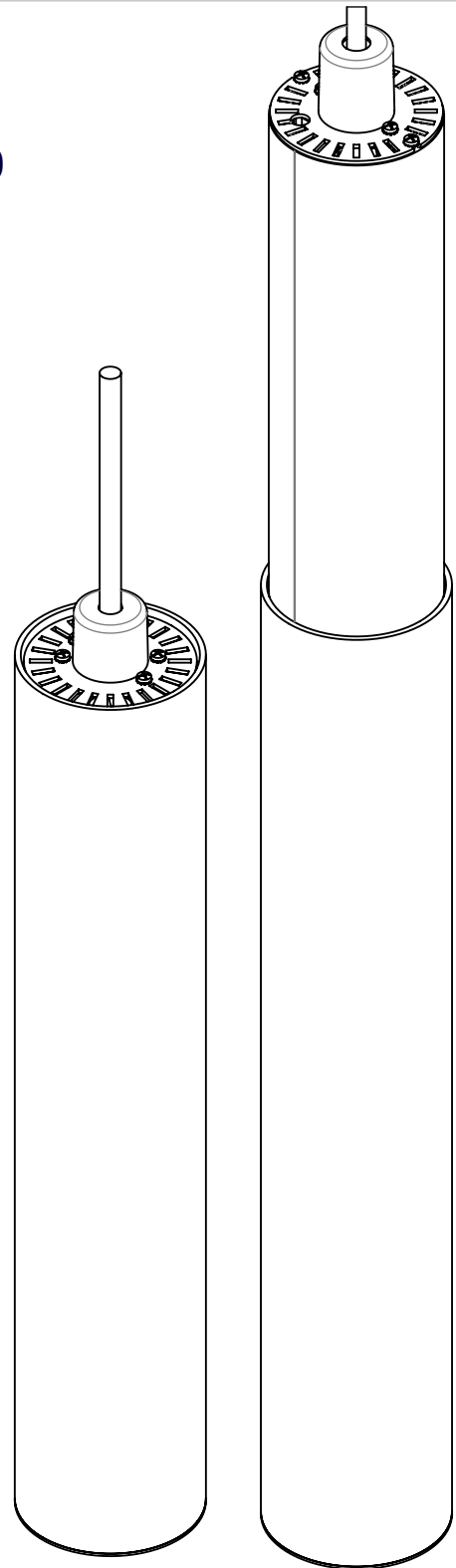
SPECIAL NOTE: INSTRUCTION PACKET HAS MULTIPLE PAGES, READ CAREFULLY AS INSTRUCTIONS MAY DIFFER DEPENDING ON OPTIONS ORDERED

Pg 2 - Standard shipment with cord attached to fixture.

Pg 3 - If mounting hardware is shipped ahead for installation before fixture arrives.

Pg 4 - Power Cord Connections

Pg 4 - If Fixture ordered with RMB option (Remote Power Supply Box)



Drawing: 762009XX

Rev: C

Sheet: 1 of 4

Eng: MJH

Date Drawn: 9/24/15

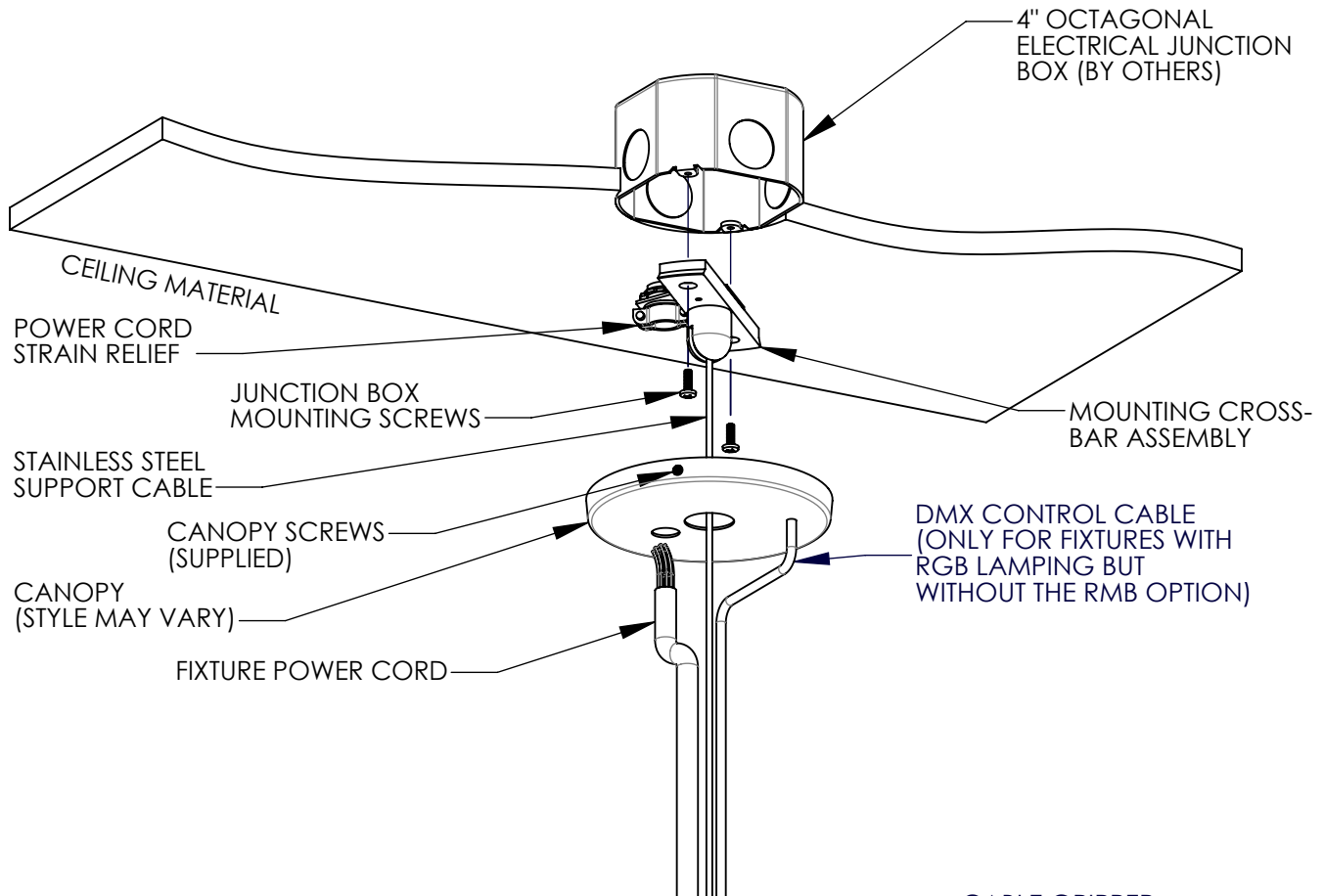
- !** When using electrical equipment, basic safety precautions should always be followed, including the following:
- Read all instructions carefully before installing and save for future use.
 - Make sure all connections are in accordance with the National Electrical Code and local regulations.
 - To avoid possible electric shock, be sure the power supply is turned off before servicing or installing the fixture.
 - Service should be performed by qualified personnel.
 - These instructions may not cover all details or variations. If additional information is needed, please contact Visa Lighting.

INSTALLATION INSTRUCTIONS

Model: **CP2026, CP2028, CP2030**
 Fixture Family: **SEQUENCE LED**
 Document Description: Installation Instructions for SEQUENCE
 LED Series Luminaires

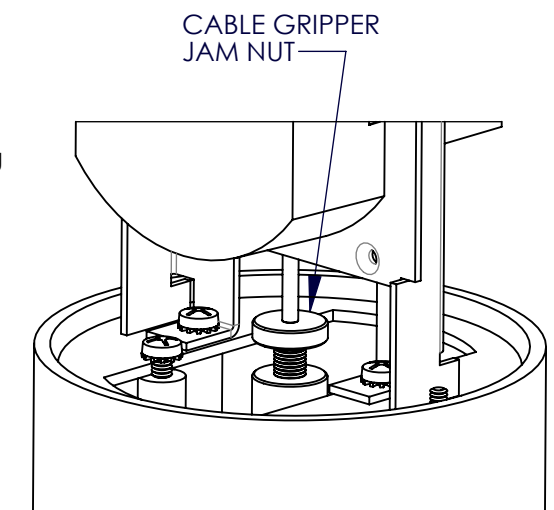
VISA LIGHTING
 AN OLDENBURG GROUP COMPANY
 1717 West Civic Drive Milwaukee, WI 53209
 414-354-6600
 Design Modification Rights Reserved
 © Visa Lighting 2014

Standard shipment with with cord attached to fixture.



Instructions -

- 1) Fasten Mounting Cross-Bar Assembly to junction box with junction box screws.
- 2) Making sure Stainless Steel Cable and Power Cords are passing through their respective holes in the canopy, lift fixture up and insert Stainless Steel Cable into Cable Gripper inside the driver compartment. (see detail at right)
- 3) At the Mounting Cross-bar Assembly, insert Fixture Power Cord.
- 4) Make final adjustments to the the fixture height and then secure Power Cord with strain relief and secure Stainless Steel Cable at Cable Gripper by tightening Jam Nut.
- 5) Make all wire connections per local and national codes.
- 6) Lift canopy in place and secure with screws provided.
- 7) If your installation requires the DMX control cable, it must be routed outside the junction box due to the low voltage class of the cable.



**FIXTURE DETAIL
 (DRIVER COMPARTMENT COVER REMOVED)**

Drawing: 762009XX

Rev: C

Sheet: 2 of 4

Eng: MJH

Date Drawn: 9/24/15



When using electrical equipment, basic safety precautions should always be followed, including the following:

- Read all instructions carefully before installing and save for future use.
- Make sure all connections are in accordance with the National Electrical Code and local regulations.
- To avoid possible electric shock, be sure the power supply is turned off before servicing or installing the fixture
- Service should be performed by qualified personnel.

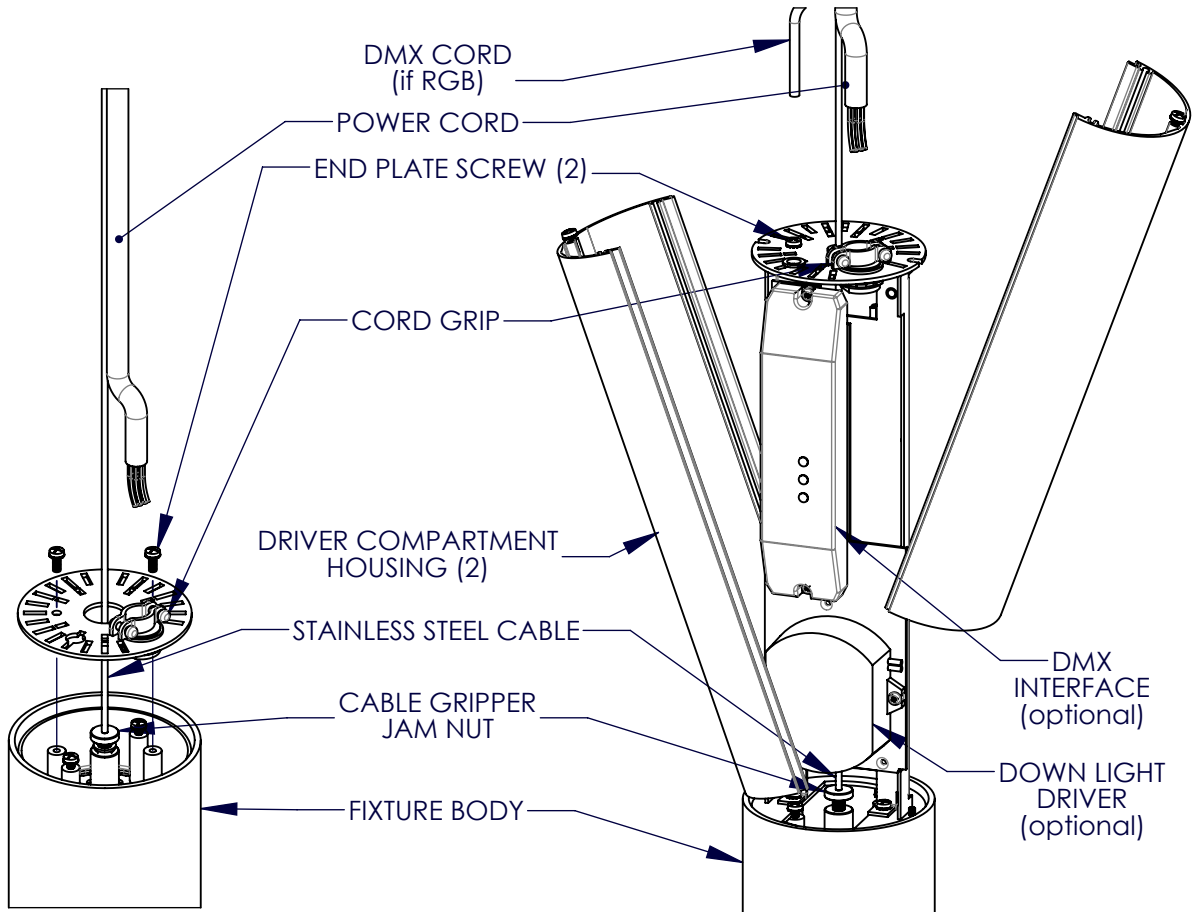
• These instructions may not cover all details or variations. If additional information is needed, please contact Visa Lighting.

INSTALLATION INSTRUCTIONS

Model: **CP2026, CP2028, CP2030**
 Fixture Family: **SEQUENCE LED**
 Document Description: Installation Instructions for SEQUENCE
 LED Series Luminaires

VISA LIGHTING
 AN OLDENBURG GROUP COMPANY
 1717 West Civic Drive Milwaukee, WI 53209
 414-354-6600
 Design Modification Rights Reserved
 © Visa Lighting 2014

If mounting hardware is shipped ahead for installation before fixture arrives.



FIXTURE WITH -RMB OPTION (REMOTE POWER BOX)

INSTRUCTIONS

- 1) Preparation: Determine the height fixture will hang by holding fixture along side Stainless Steel Cable. Stainless Steel Cable may be inserted into Cable Gripper up to 6", trim excess if needed. Trimmed end must not have straystrands. Tin the cut end.
- 2) Lift Fixture Body and insert Cable into gripper, adjust height and tighten Gripper Jam Nut.
- 3) Remove the End Plate Screws and End Plate Assembly.
- 4) Slide Power Cord thru Cord Grip
- 5) Leaving enough Cord for Splices, trim Power Cord if needed.
- 7) Strip Power Cord and make appropriate splice connections.
- 8) Secure End Plate Assembly back onto Fixture Body.

STANDARD FIXTURE WITH INTEGRAL DRIVER(S)

INSTRUCTIONS

- 1) Preparation: Determine the height fixture will hang by holding fixture along side Stainless Steel Cable. Stainless Steel Cable may be inserted into cable gripper up to 6", trim excess if needed. Trimmed end must not have straystrands. Tin the cut end.
- 2) Loosen but do not remove the Driver Compartment Screws.
- 3) Tilt out and remove Driver Compartment Housings.
- 4) Slide Power Cord thru Cord Grip
- 5) Leaving enough Cord for Splices, trim Power Cord if needed.
- 6) Strip Power Cord and make appropriate splice connections.
- 7) Secure Driver Compartment Housing back in place.

Drawing: 762009XX

Rev: C

Sheet: 3 of 4

Eng: MJH

Date Drawn: 9/24/15

! When using electrical equipment, basic safety precautions should always be followed, including the following:

- Read all instructions carefully before installing and save for future use.
- Make sure all connections are in accordance with the National Electrical Code and local regulations.
- To avoid possible electric shock, be sure the power supply is turned off before servicing or installing the fixture
- Service should be performed by qualified personnel.
- These instructions may not cover all details or variations. If additional information is needed, please contact Visa Lighting.

INSTALLATION INSTRUCTIONS

Model: **CP2026, CP2028, CP2030**
Fixture Family: **SEQUENCE LED**
Document Description: Installation Instructions for SEQUENCE
LED Series Luminaires

Power Cord Connections

9-CONDUCTOR POWER CORD

GREEN: GROUND Lead
WHITE: COMMON Line Voltage Lead
BLACK: HOT Line Voltage Lead for White LED Body Light
BLACK/WHITE: HOT Line Voltage Lead for Optional Downlight
BROWN: HOT Line Voltage Lead for Optional RGB LED Body Light
VIOLET: 0-10V DIM for Body Light
GREY: 0-10V DIM for Body Light
VIOLET/WHITE: 0-10V DIM for Downlight
GREY/WHITE: 0-10V DIM for Downlight

5-CONDUCTOR POWER CORD

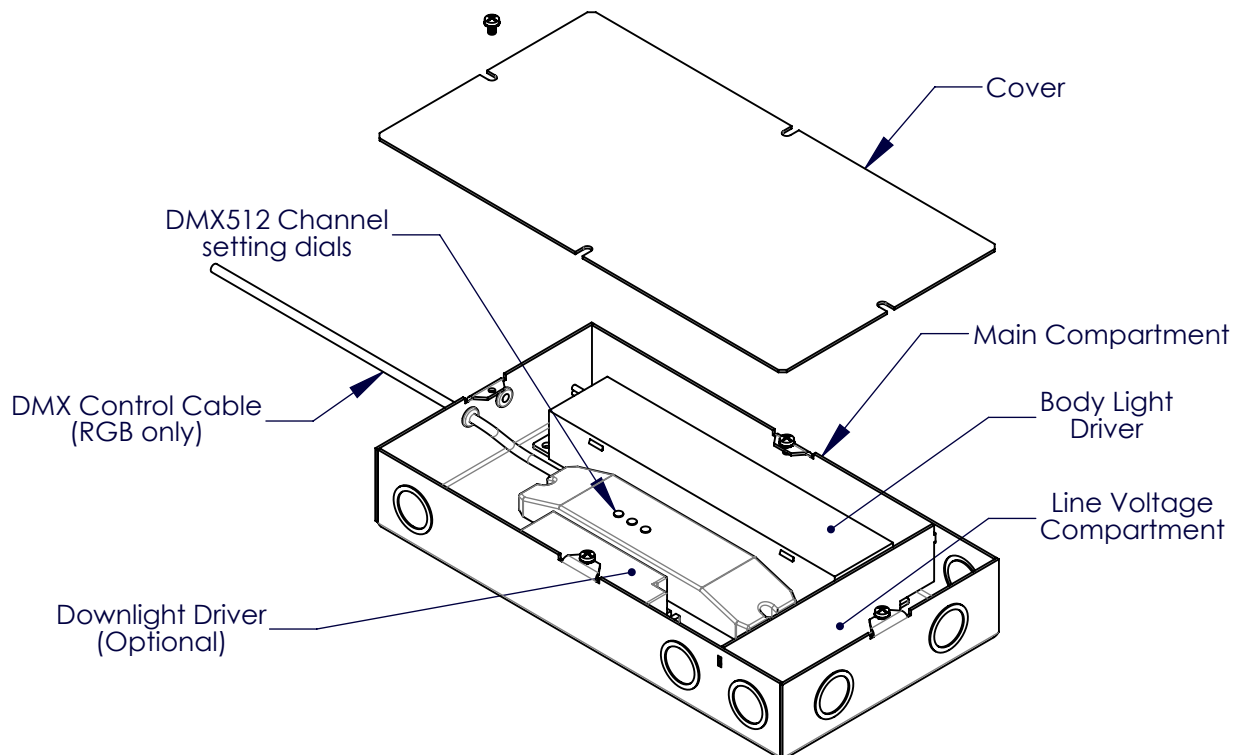
GREEN: GROUND Lead
WHITE: COMMON Line Voltage Lead
BLACK: HOT Line Voltage Lead for White LED Body Light
BLUE: 0-10V DIM For Body Light
RED: 0-10V DIM For Body Light

RMB Option, Remote Power Supply Box

INSTRUCTIONS

Configuration shown illustrates fixture with RGB Body and White LED Downlight. Components may vary depending on options ordered.

1. Remove Cover by removing the (4) Cover Screws
2. Mount Remote Box in an accessible area per local and national codes, use fasteners appropriate for the mounting surface (not included)
3. Make line voltage connections in Line voltage Compartment
4. Make remaining class II output connections in the main compartment



! When using electrical equipment, basic safety precautions should always be followed, including the following:

- Read all instructions carefully before installing and save for future use.
- Make sure all connections are in accordance with the National Electrical Code and local regulations.
- To avoid possible electric shock, be sure the power supply is turned off before servicing or installing the fixture.
- Service should be performed by qualified personnel.
- These instructions may not cover all details or variations. If additional information is needed, please contact Visa Lighting.