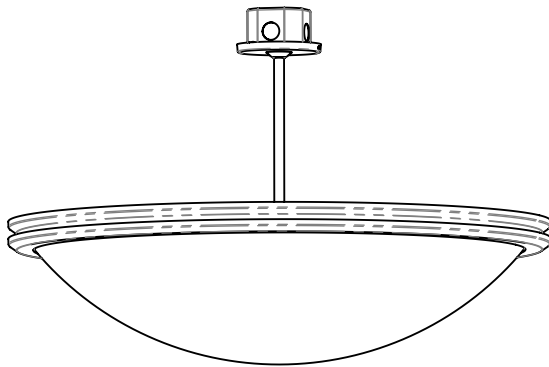


INSTALLATION INSTRUCTIONS

Model: **CP4271, 4275, 4279**
Fixture Family: **LED Luminous Bowl Pendants - Rod Mount**
Document Description: Installation Instructions for
Fairfax Series LED Luminaires

VISA LIGHTING
AN OLDENBURG GROUP COMPANY
1717 West Civic Drive Milwaukee, WI 53209
414-354-6600
Design Modification Rights Reserved
© Visa Lighting



FAIRFAX

CP4271

CP4275

CP4279

TABLE OF CONTENTS

SHEET 2: SWIVEL HANGER AND STEM INSTALLATION

SHEET 3: ROD/STEM WIRING DIAGRAM

SHEET 4: BOWL/TRIM ATTACHMENT INSTALLATION

Drawing: 762041XX

Rev: B

Sheet: 1 of 4

Eng: CG2

Date Drawn: 6/2/16

! When using electrical equipment, basic safety precautions should always be followed, including the following:

- Read all instructions carefully before installing and save for future use.
- Make sure all connections are in accordance with the National Electrical Code and local regulations.
- To avoid possible electric shock, be sure the power supply is turned off before servicing or installing the fixture.
- Service should be performed by qualified personnel.
- These instructions may not cover all details or variations. If additional information is needed, please contact Visa Lighting.

INSTALLATION INSTRUCTIONS

Model: **CP4271, 4275, 4279**
 Fixture Family: **LED Luminous Bowl Pendants - Rod Mount**
 Document Description: Installation Instructions for
 Fairfax Series LED Luminaires

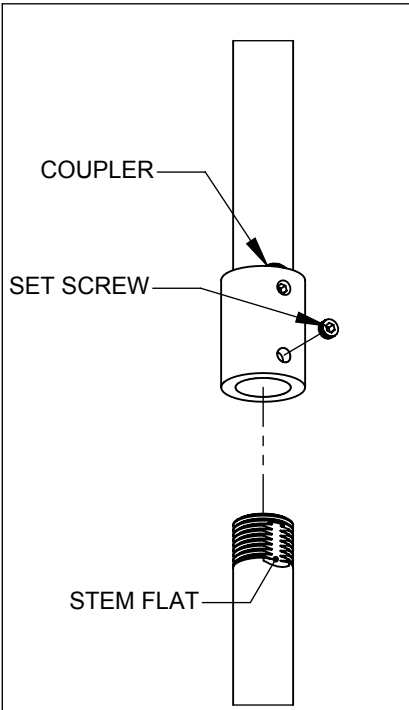
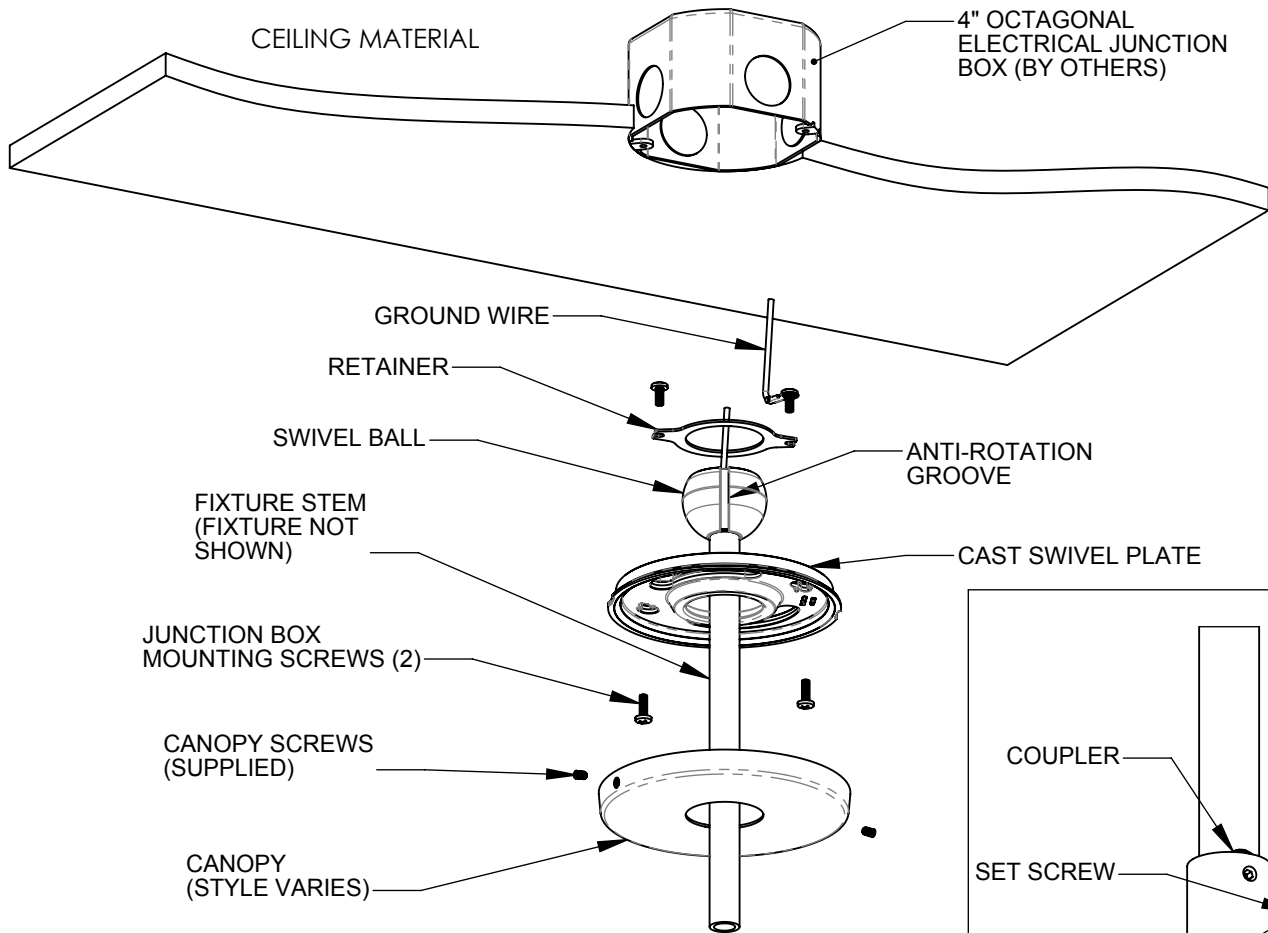
Drawing: 762041XX

Rev: B

Sheet: 2 of 4

Eng: CG2

Date Drawn: 6/2/16



For a longer stem, attach the stem segments with supplied coupler. Align flats on stem to set screws and securely fasten.

Preparation

Check all instructions with the fixture as some preparation may be necessary before the following steps

Instructions

1. Depending on the length of screws supplied with the junction box (by others), you may need to use the longer screws provided.
2. Insert swivel ball/stem assembly through cast swivel plate and fasten swivel ball retainer and ground wire with screws provided.
3. Insert stem through canopy, pull fixture wires through stem and securely fasten stem to the fixture.
4. Fasten cast swivel plate to junction box with #8-32 screws provided.
5. Make all wire connections per local and national codes.
6. Lift canopy in place and secure with screws provided.



When using electrical equipment, basic safety precautions should always be followed, including the following:

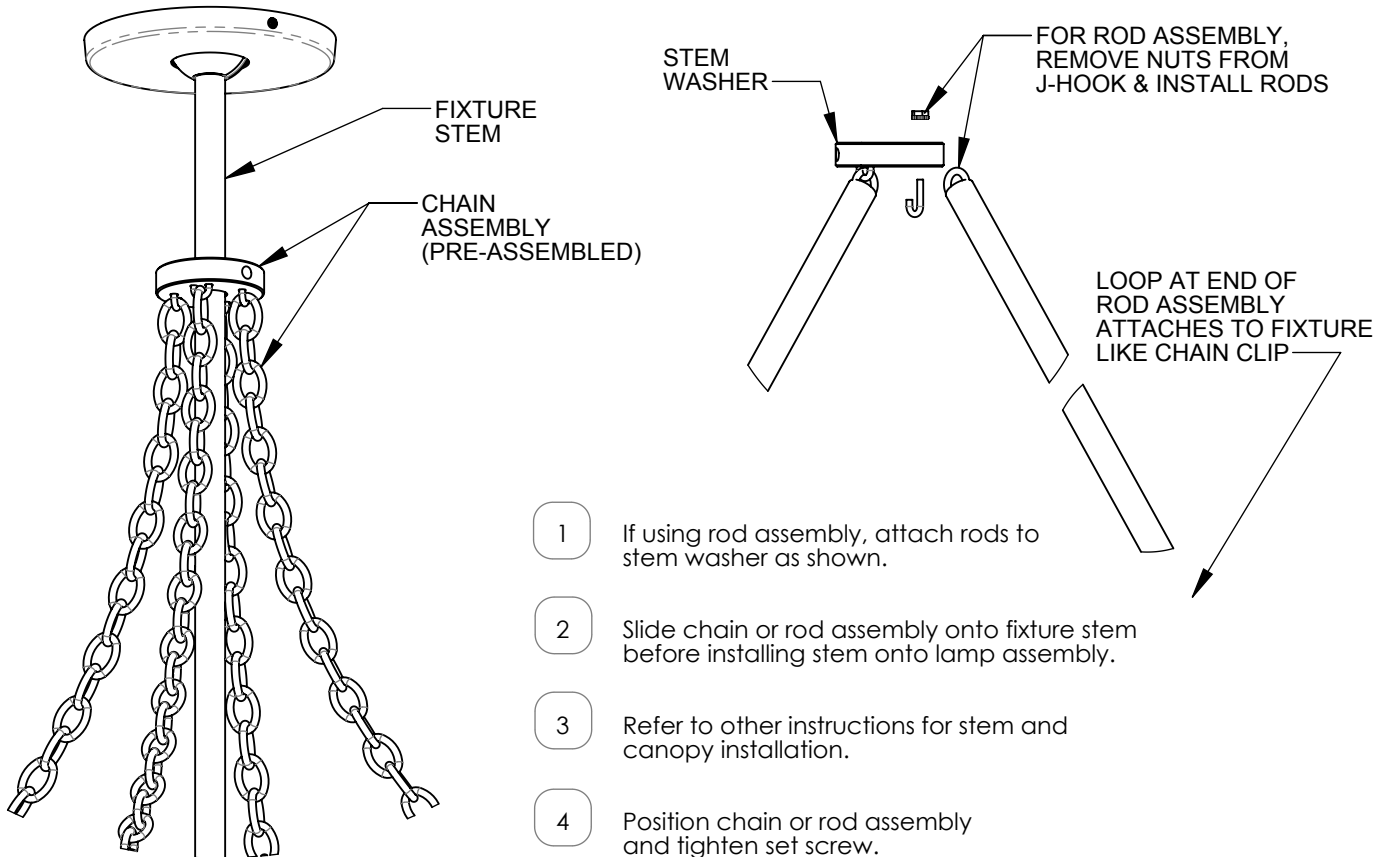
- Read all instructions carefully before installing and save for future use.
- Make sure all connections are in accordance with the National Electrical Code and local regulations.
- To avoid possible electric shock, be sure the power supply is turned off before servicing or installing the fixture.
- Service should be performed by qualified personnel.

• These instructions may not cover all details or variations. If additional information is needed, please contact Visa Lighting.

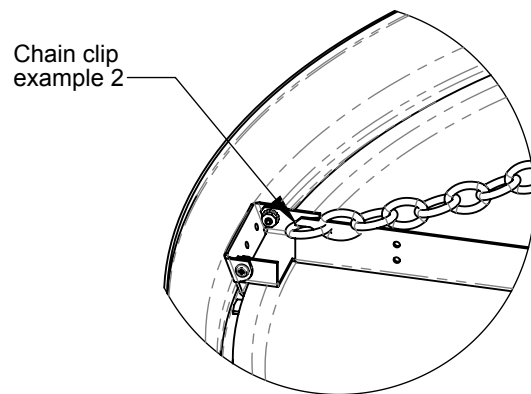
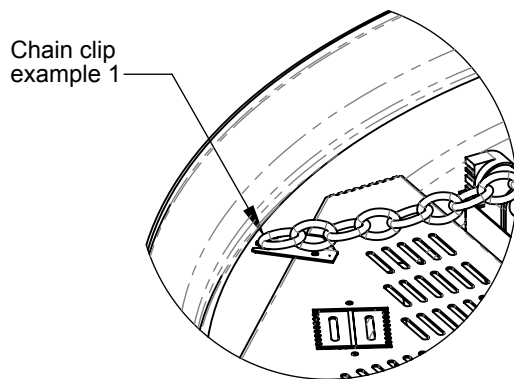
INSTALLATION INSTRUCTIONS

Model: **CP4271, 4275, 4279**
Fixture Family: **LED Luminous Bowl Pendants - Rod Mount**
Document Description: Installation Instructions for
Fairfax Series LED Luminaires

TYPICAL FIXTURE - ROD OR CHAIN ACCENTS



- 1 If using rod assembly, attach rods to stem washer as shown.
- 2 Slide chain or rod assembly onto fixture stem before installing stem onto lamp assembly.
- 3 Refer to other instructions for stem and canopy installation.
- 4 Position chain or rod assembly and tighten set screw.
- 5 Attach chain link or rod loop to clip at fixture trim. (clip style may vary)



When using electrical equipment, basic safety precautions should always be followed, including the following:

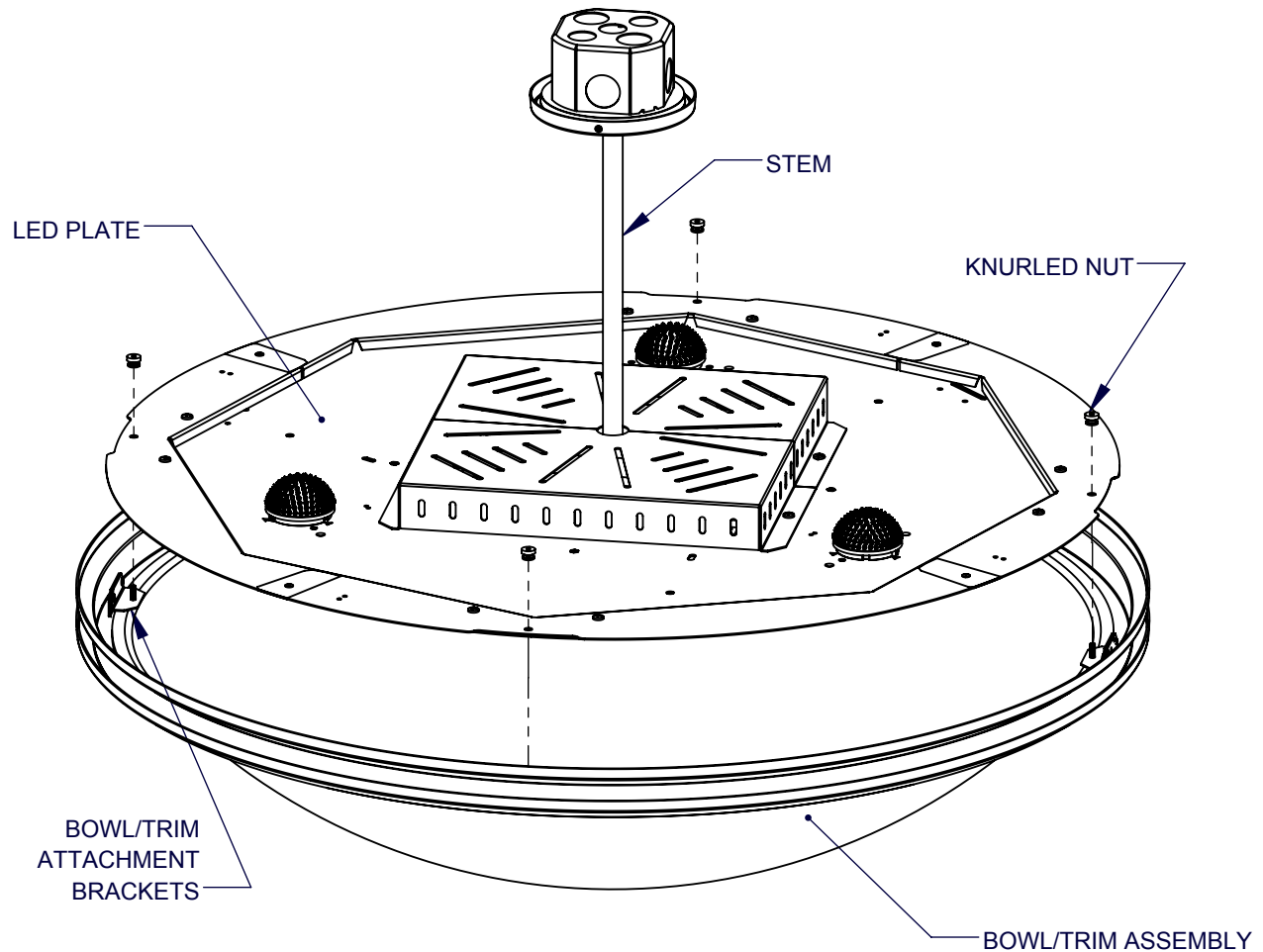
- Read all instructions carefully before installing and save for future use.
- Make sure all connections are in accordance with the National Electrical Code and local regulations.
- To avoid possible electric shock, be sure the power supply is turned off before servicing or installing the fixture.
- Service should be performed by qualified personnel.
- These instructions may not cover all details or variations. If additional information is needed, please contact Visa Lighting.

INSTALLATION INSTRUCTIONS

Model: CP4271, 4275, 4279
Fixture Family: LED Luminous Bowl Pendants - Rod Mount
Document Description: Installation Instructions for
Fairfax Series LED Luminaires

VISA LIGHTING
AN OLDENBURG GROUP COMPANY
1717 West Civic Drive Milwaukee, WI 53209
414-354-6600
Design Modification Rights Reserved
© Visa Lighting

Bowl/Trim Attachment (Typical)



Instructions:

1. Install stem, canopy, and LED plate per previous instructions.
2. Assemble bowl/trim assembly to LED plate. Secure together using knurled nuts on bowl/trim attachment brackets.

! When using electrical equipment, basic safety precautions should always be followed, including the following:

- Read all instructions carefully before installing and save for future use.
- Make sure all connections are in accordance with the National Electrical Code and local regulations.
- To avoid possible electric shock, be sure the power supply is turned off before servicing or installing the fixture.
- Service should be performed by qualified personnel.
- These instructions may not cover all details or variations. If additional information is needed, please contact Visa Lighting.

Drawing: 762041XX

Rev: B

Sheet: 4 of 4

Eng: CG2

Date Drawn: 6/2/16