

# INSTALLATION INSTRUCTIONS

Model: CP5562, 5563, 5564, 5565, 5566, 5568  
Fixture Family: PARALLEL LED 4"  
Document Description: Installation Instructions for PARALLEL LED  
LED Series Luminaires

**VISA LIGHTING**  
AN OLDENBURG GROUP COMPANY  
1717 West Civic Drive Milwaukee, WI 53209  
414-354-6600  
Design Modification Rights Reserved  
© Visa Lighting

## PARALLEL 4" LED

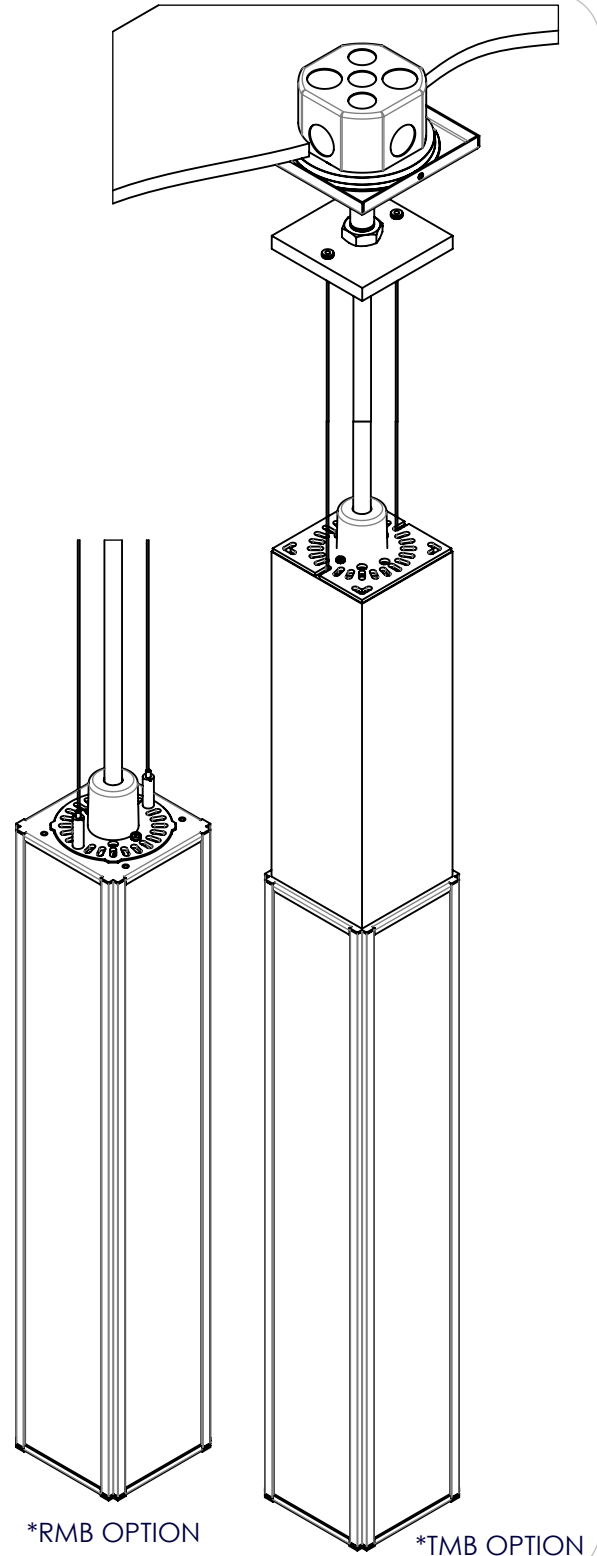
**CP5562, CP5563, CP5564  
CP5565, CP5566, CP5568**

**SPECIAL NOTE: INSTRUCTION PACKET HAS MULTIPLE PAGES, READ CAREFULLY AS INSTRUCTIONS MAY DIFFER DEPENDING ON OPTIONS ORDERED**

**Pg 2 - Installation Instructions with cord and canopy attached to fixture.**

**Pg 3 - If mounting hardware is shipped ahead for installation before fixture arrives.**

**Pg 4 - Power Cord Connections  
Pg 4 - If Fixture ordered with RMB option (Remote Power Supply Box)**



Drawing: 762045XX

Rev: B

Sheet: 1 of 4

Eng: TPK

Date Drawn: 1/31/17

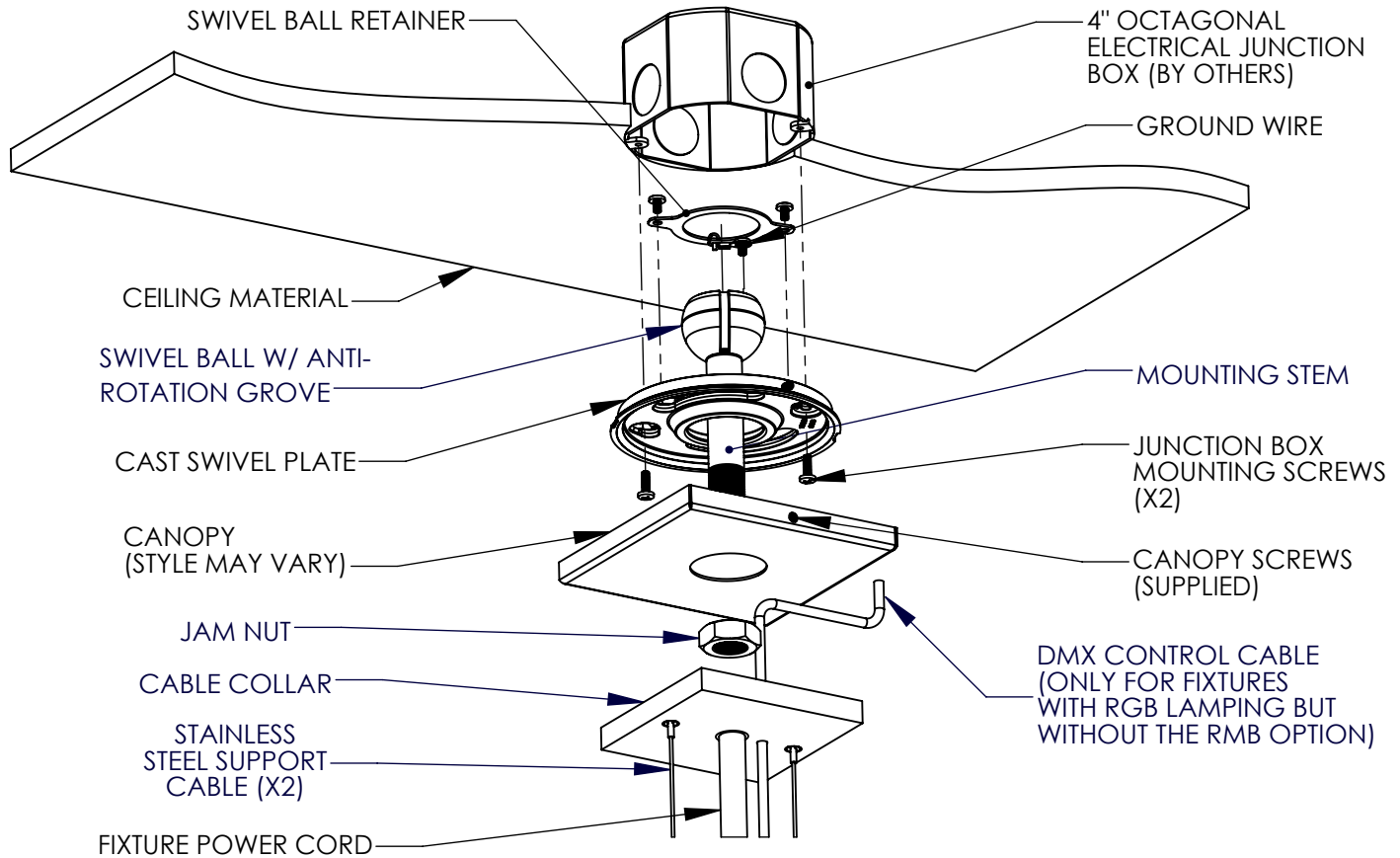
- !** When using electrical equipment, basic safety precautions should always be followed, including the following:
- Read all instructions carefully before installing and save for future use.
  - Make sure all connections are in accordance with the National Electrical Code and local regulations.
  - To avoid possible electric shock, be sure the power supply is turned off before servicing or installing the fixture.
  - Service should be performed by qualified personnel.
  - These instructions may not cover all details or variations. If additional information is needed, please contact Visa Lighting.

# INSTALLATION INSTRUCTIONS

Model: **CP5562, 5563, 5564, 5565, 5566, 5568**  
Fixture Family: **PARALLEL LED 4"**  
Document Description: Installation Instructions for PARALLEL LED  
LED Series Luminaires

**VISA LIGHTING**  
AN OLDENBURG GROUP COMPANY  
1717 West Civic Drive Milwaukee, WI 53209  
414-354-6600  
Design Modification Rights Reserved  
© Visa Lighting

## Installation Instructions with cord attached to fixture.



### Instructions -

1. Insert the Swivel Ball/Mounting Stem assembly through the Cast Swivel Plate and fasten the Swivel Ball Retainer and ground wire with screws provided.
2. Fasten the Cast Swivel Plate to a junction box with 8/32 screws.
3. Insert stem through the canopy and then attach the Jam Nut and Cable Collar.
4. Lift Fixture up and insert the Stainless Steel Cables (x2) into the Cable Grippers on the Cable Collar.
5. Make final adjustments to height, Pull Fixture Power Cord through the Cable Collar/Stem and make all connections per local and national codes (see page 3 for typical wire color scheme).
6. Lift the canopy in place and secure it with screws (provided).
7. If your installation requires the DMX Control Cable, it must be routed outside the junction box due to the low voltage class of the cable.

Drawing: 762045XX

Rev: B

Sheet: 2 of 4

Eng: TPK

Date Drawn: 1/31/17

When using electrical equipment, basic safety precautions should always be followed, including the following:

- Read all instructions carefully before installing and save for future use.
- Make sure all connections are in accordance with the National Electrical Code and local regulations.
- To avoid possible electric shock, be sure the power supply is turned off before servicing or installing the fixture.
- Service should be performed by qualified personnel.
- These instructions may not cover all details or variations. If additional information is needed, please contact Visa Lighting.

# INSTALLATION INSTRUCTIONS

Model: CP5562, 5563, 5564, 5565, 5566, 5568  
Fixture Family: PARALLEL LED 4"  
Document Description: Installation Instructions for PARALLEL LED  
LED Series Luminaires

**VISA LIGHTING**  
AN OLDENBURG GROUP COMPANY  
1717 West Civic Drive Milwaukee, WI 53209  
414-354-6600  
Design Modification Rights Reserved  
© Visa Lighting

## If mounting hardware is shipped ahead for installation before fixture arrives.

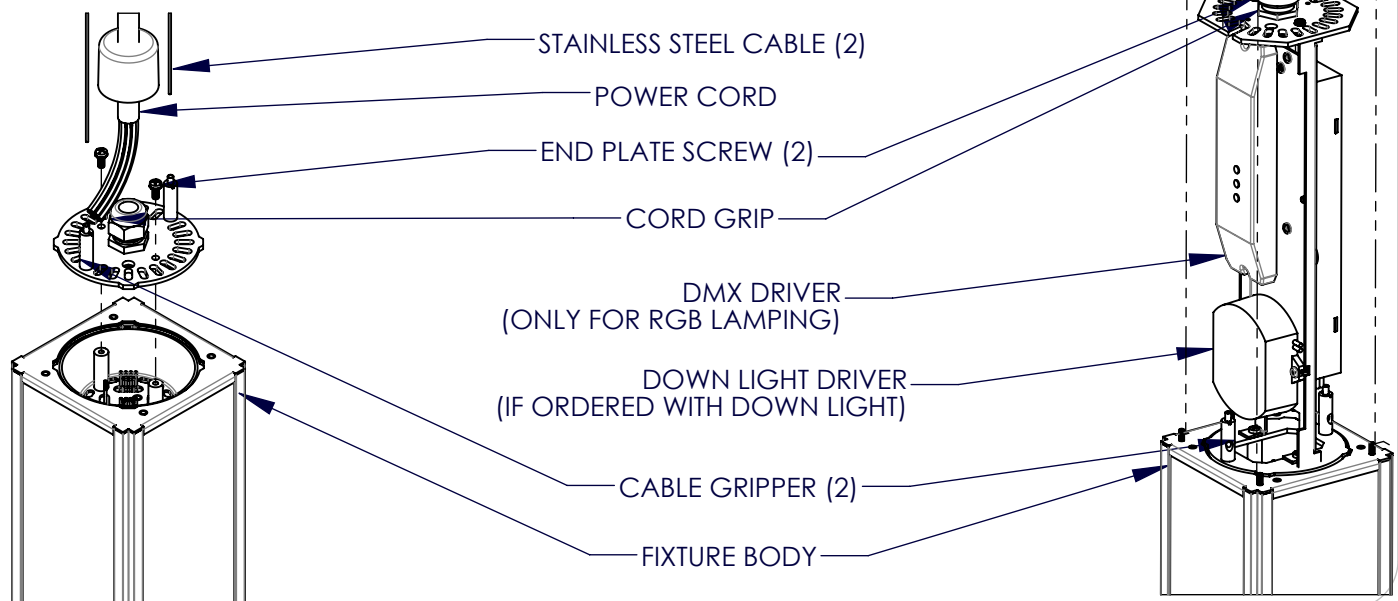
Preparation: The Stainless Steel Cables will be inserted into the Cable Grippers at the top of the fixture body. Determine the height of the fixture by holding it alongside the Stainless Steel Cables. Stainless Steel Cable may be inserted into cable gripper up to 6", trim excess if needed. Trimmed end must not have stray strands. Tin the cut end.

### STANDARD FIXTURE WITH INTEGRAL DRIVER(S)

1. Remove the Driver Compartment Screws and slide the Top Plate and Driver Compartment up.
2. Guide the Stainless Steel Cables through the slots in the Top Plate, into the Driver Compartment Housing and through the slots in the End Plate. Finally poke the Stainless Steel Cables into the Cable Grippers.
3. Slide the Power Cord through the Cord Grip.
4. Leaving enough Cord for Splices, trim Power Cord if needed.
5. Strip Power Cord and make appropriate splice connections.
6. Secure Driver Compartment Housing and Top Plate back in place.

### FIXTURE WITH -RMB OPTION (REMOTE POWER BOX)

1. Remove the End Plate Screws and End Plate Assembly.
2. Poke the Stainless Steel Cables into the Endplate Assembly and Slide the Power Cord through the End Cup and into the Cord Grip.
3. Leaving enough Cord for splices, trim Power Cord if needed.
4. Strip Power Cord and then support the Fixture Body while making appropriate splice connections.
5. Secure the End Plate Assembly back onto the Fixture Body with the End Plate Screws.



Drawing: 762045XX

Rev: B

Sheet: 3 of 4

Eng: TPK

Date Drawn: 1/31/17

When using electrical equipment, basic safety precautions should always be followed, including the following:

- Read all instructions carefully before installing and save for future use.
- Make sure all connections are in accordance with the National Electrical Code and local regulations.
- To avoid possible electric shock, be sure the power supply is turned off before servicing or installing the fixture.
- Service should be performed by qualified personnel.
- These instructions may not cover all details or variations. If additional information is needed, please contact Visa Lighting.

# INSTALLATION INSTRUCTIONS

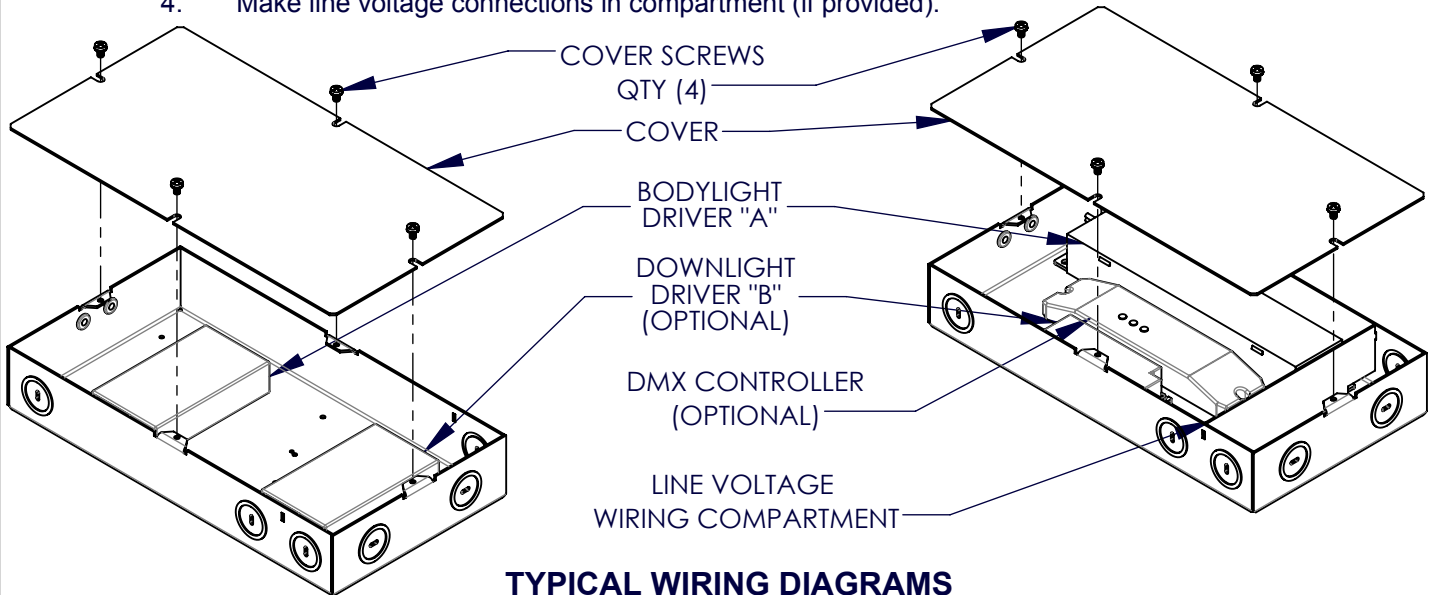
Model: **CP5562, 5563, 5564, 5565, 5566, 5568**  
 Fixture Family: **PARALLEL LED 4"**  
 Document Description: Installation Instructions for PARALLEL LED  
 LED Series Luminaires

## RMB Option, Remote Power Supply Box

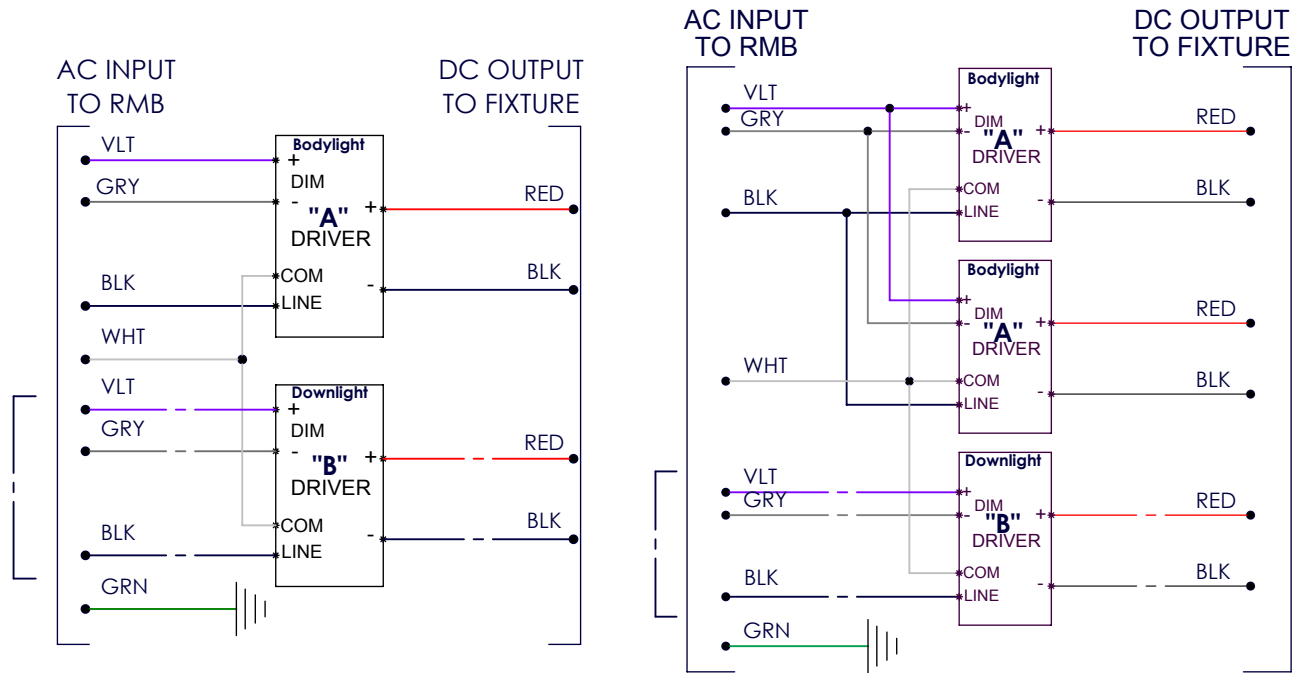
### INSTRUCTIONS

Note: Components may vary depending on options ordered.

1. Remove Cover by removing the (4) Cover Screws.
2. Mount Remote Box in an accessible area per local and national codes, use fasteners appropriate for the mounting surface (not included).
3. Make class II output connections.
4. Make line voltage connections in compartment (if provided).



### TYPICAL WIRING DIAGRAMS



Downlight wiring (optional)  
 See wiring labels for details.

**NOTE: DO NOT MIX DC OUTPUTS.**

THE "+" AND "-" LEADS MUST CONNECT TO THE SAME CIRCUIT. MATCH WIRE LABELS FROM FIXTURE.

Drawing: 762045XX

Rev: B

Sheet: 4 of 4

Eng: TPK

Date Drawn: 1/31/17



When using electrical equipment, basic safety precautions should always be followed, including the following:

- Read all instructions carefully before installing and save for future use.
- Make sure all connections are in accordance with the National Electrical Code and local regulations.
- To avoid possible electric shock, be sure the power supply is turned off before servicing or installing the fixture.
- Service should be performed by qualified personnel.
- These instructions may not cover all details or variations. If additional information is needed, please contact Visa Lighting.