

# INSTALLATION INSTRUCTIONS

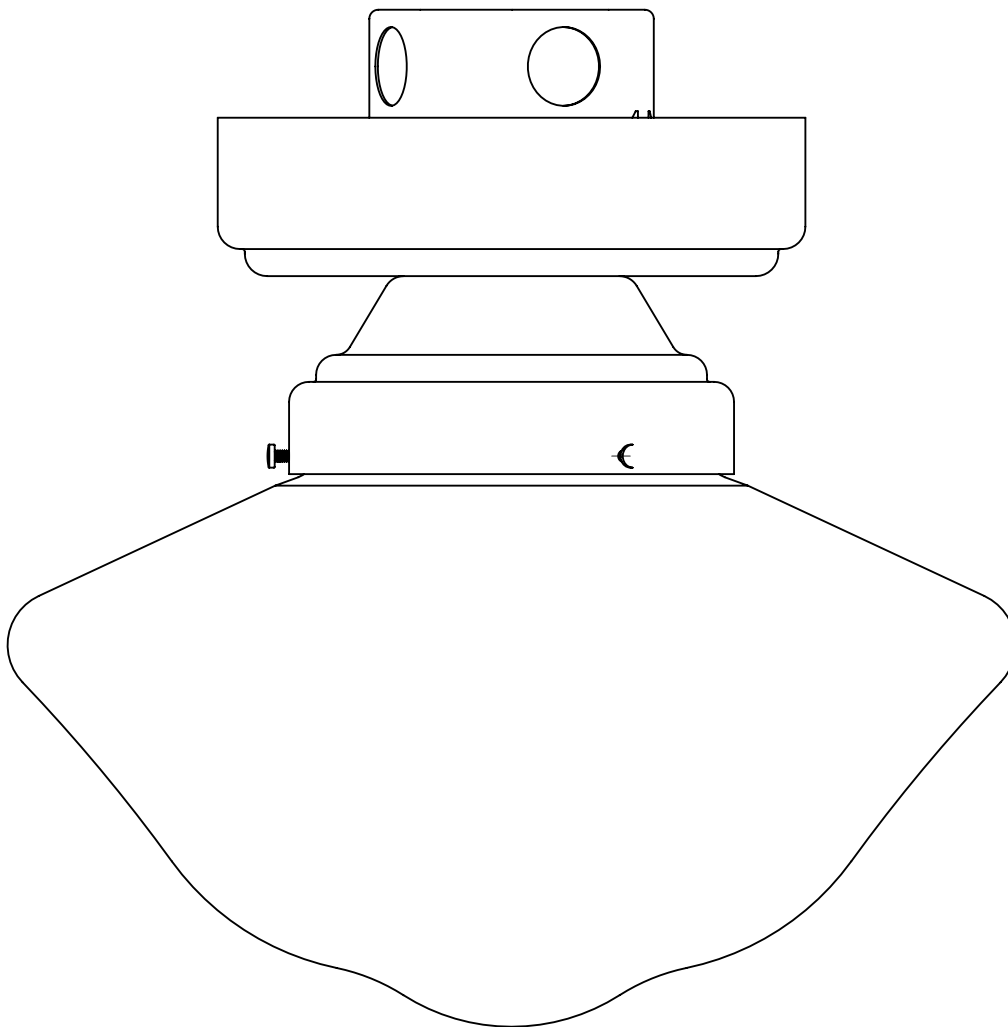
Model: **CM1005**  
Fixture Family: **SCHOOL HAUS**  
Document Description: Installation Instructions for  
LED Series Luminaires

## School Haus LED

CM1005

Page 1 - Typical fixture mounting

Page 2 - Installation



Drawing: 762058XX

Rev: A

Sheet: 1 of 2

Eng: AJM

Date Drawn: 8/15/16

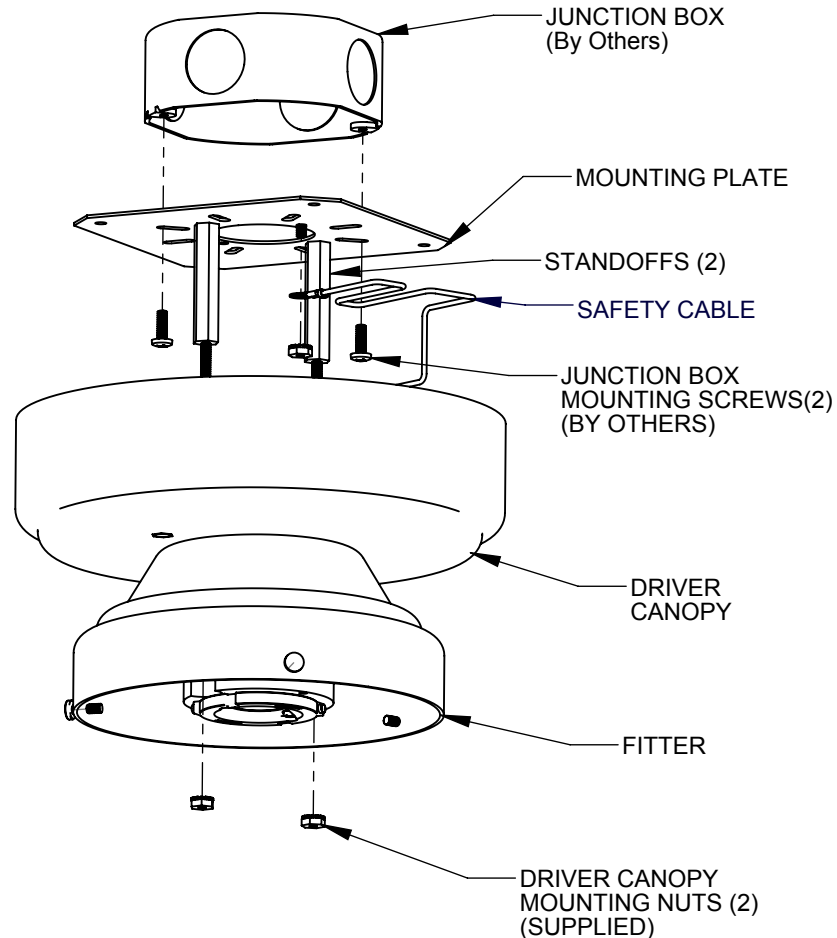
**!** When using electrical equipment, basic safety precautions should always be followed, including the following:

- Read all instructions carefully before installing and save for future use.
- Make sure all connections are in accordance with the National Electrical Code and local regulations.
- To avoid possible electric shock, be sure the power supply is turned off before servicing or installing the fixture.
- Service should be performed by qualified personnel.
- These instructions may not cover all details or variations. If additional information is needed, please contact Visa Lighting.

# INSTALLATION INSTRUCTIONS

Model: **CM1005**  
Fixture Family: **SCHOOL HAUS**  
Document Description: Installation Instructions for  
LED Series Luminaires

**VISA LIGHTING**  
AN OLDENBURG GROUP COMPANY  
1717 West Civic Drive Milwaukee, WI 53209  
414-354-6600  
Design Modification Rights Reserved  
© Visa Lighting



## Instructions:

1. Remove the driver canopy from the mounting plate by removing two driver canopy mounting nuts.
2. Remove the safety cable by removing the safety cable nut.
3. Attach the mounting plate to the junction box with two junction box mounting screws (by others).
4. Re-attach the safety cable using the safety cable nut and connect wires.
5. Align the two holes on the driver canopy with the standoffs on the mounting plate and attach using driver canopy mounting nuts.

When using electrical equipment, basic safety precautions should always be followed, including the following:

- Read all instructions carefully before installing and save for future use.
- Make sure all connections are in accordance with the National Electrical Code and local regulations.
- To avoid possible electric shock, be sure the power supply is turned off before servicing or installing the fixture.
- Service should be performed by qualified personnel.
- These instructions may not cover all details or variations. If additional information is needed, please contact Visa Lighting.

Drawing: 762058XX

Rev: A

Sheet: 2 of 2

Eng: AJM

Date Drawn: 8/15/16