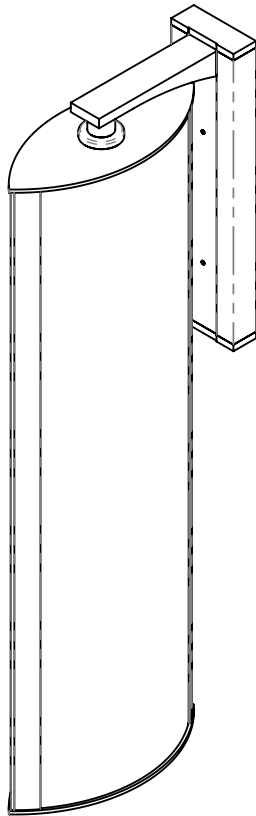


# INSTALLATION INSTRUCTIONS

Model: **CB5301, CB5303, OW5303**  
Fixture Family: **AIR FOIL**  
Document Description: Installation Instructions for AIR FOIL

 **VISA LIGHTING**  
AN OLDENBURG GROUP COMPANY  
1717 West Civic Drive Milwaukee, WI 53209  
414-354-6600  
Design Modification Rights Reserved  
© Visa Lighting



\*STYLE MAY VARY

## AIR FOIL WALL MOUNT

CB5301

CB5303

OW5303

Drawing: 762257XX

Rev: A

Sheet: 1 of 6

Eng: CLD

Date Drawn: 01/26/17

 When using electrical equipment, basic safety precautions should always be followed, including the following:

- Read all instructions carefully before installing and save for future use.
- Make sure all connections are in accordance with the National Electrical Code and local regulations.
- To avoid possible electric shock, be sure the power supply is turned off before servicing or installing the fixture.
- Service should be performed by qualified personnel.
- These instructions may not cover all details or variations. If additional information is needed, please contact Visa Lighting.

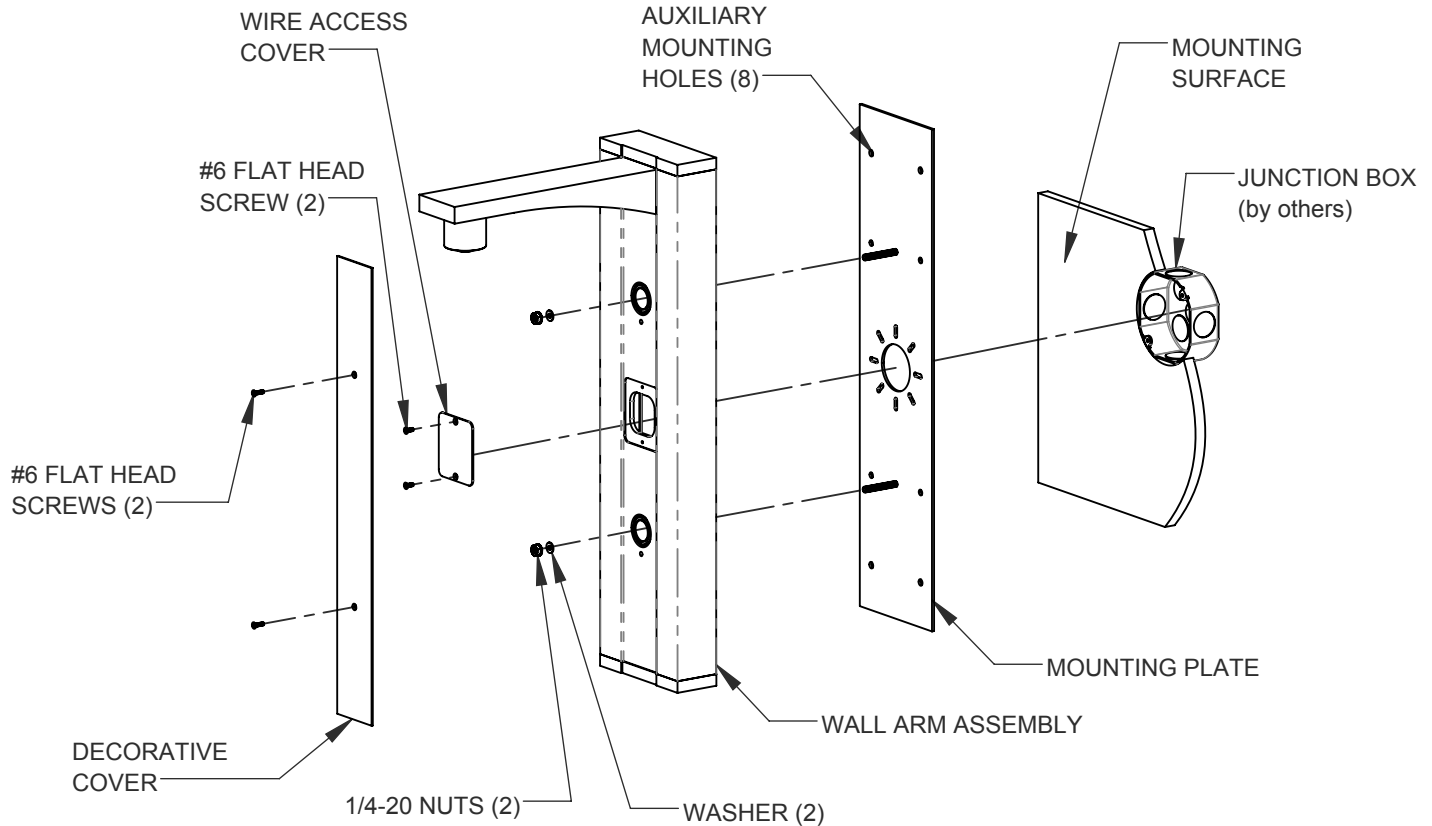
# INSTALLATION INSTRUCTIONS



Model: **CB5301, CB5303, OW5303**  
Fixture Family: **AIR FOIL**  
Document Description: Installation Instructions for AIR FOIL

1717 West Civic Drive Milwaukee, WI 53209  
414-354-6600  
Design Modification Rights Reserved  
© Visa Lighting

## INDOOR FIXTURE



**\*NOTE:** LAMP HOUSING IS NOT SHOWN (FOR REFERENCE ONLY) TO HELP WITH INSTALLING FIXTURE TO THE WALL. REFER TO PAGE 5 FOR COMPLETE FIXTURE DETAILS.

### **\*DO NOT REMOVE LAMP HOUSING FROM WALL MOUNTING ARM ASSEMBLY\***

1. Remove decorative cover and wire access cover. Remove mounting plate and save nuts and washers.
2. Locate auxiliary mounting holes and install anchors (by others). Secure mounting plate to junction box. Secure mounting plate to wall using auxiliary mounting holes. Attach with screws into wall anchors (by others).
3. Align fixture with mounting plate studs on back plate. Slide fixture onto wall mounting plate. Install metal washer and 1/4-20 nut on to mounting plate studs. Make sure fixture is supported in position until 1/4-20 nuts have been installed. Tighten 1/4-20 nuts to draw housing flush with wall.
4. Make all electrical connections in accordance with local and national electric codes.
5. Re-install access cover and decorative cover.

Drawing: 762257XX

Rev: A

Sheet: 2 of 6

Eng: CLD

Date Drawn: 01/26/17



When using electrical equipment, basic safety precautions should always be followed, including the following:

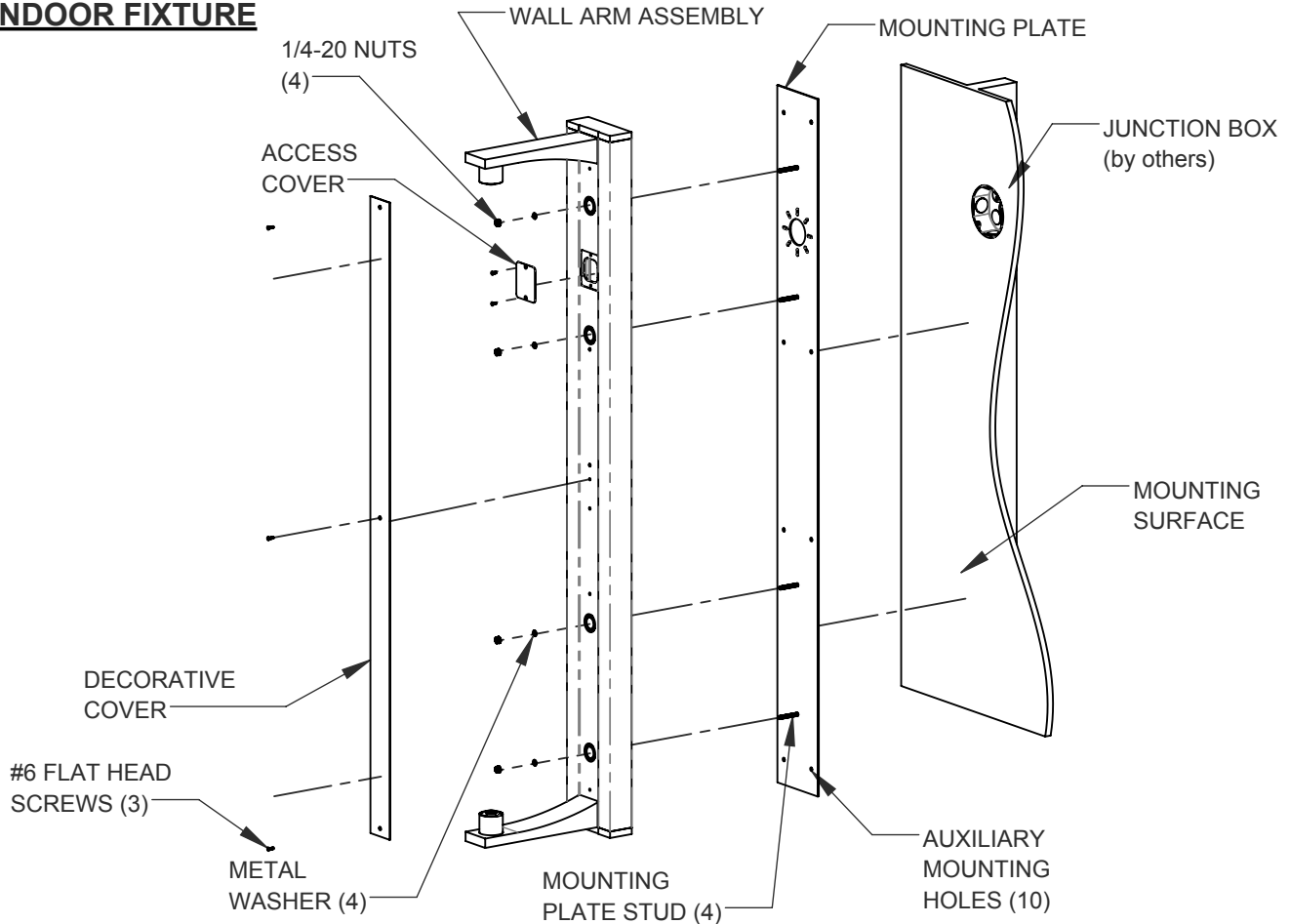
- Read all instructions carefully before installing and save for future use.
- Make sure all connections are in accordance with the National Electrical Code and local regulations.
- To avoid possible electric shock, be sure the power supply is turned off before servicing or installing the fixture.
- Service should be performed by qualified personnel.
- These instructions may not cover all details or variations. If additional information is needed, please contact Visa Lighting.

# INSTALLATION INSTRUCTIONS

Model: **CB5301, CB5303, OW5303**  
Fixture Family: **AIR FOIL**  
Document Description: Installation Instructions for AIR FOIL

**VISA LIGHTING**  
AN OLDENBURG GROUP COMPANY  
1717 West Civic Drive Milwaukee, WI 53209  
414-354-6600  
Design Modification Rights Reserved  
© Visa Lighting

## INDOOR FIXTURE



**\*NOTE:** LAMP HOUSING IS NOT SHOWN (FOR REFERENCE ONLY) TO HELP WITH INSTALLING FIXTURE TO THE WALL. REFER TO PAGE 5 FOR COMPLETE FIXTURE DETAILS.

### **\*DO NOT REMOVE LAMP HOUSING FROM WALL MOUNTING ARM ASSEMBLY\***

1. Remove decorative cover and wire access cover. Remove mounting plate and save nuts and washers.
2. Locate auxiliary mounting holes and install anchors (by others). Secure mounting plate to junction box. Secure mounting plate to wall using auxiliary mounting holes. Attach with screws into wall anchors (by others).
3. Align fixture with mounting plate studs on back plate. Slide fixture onto wall mounting plate. Install metal washer and 1/4-20 nut on to mounting plate studs. Make sure fixture is supported in position until 1/4-20 nuts have been installed. Tighten 1/4-20 nuts to draw housing flush with wall.
4. Make all electrical connections in accordance with local and national electric codes.
5. Re-install access cover and decorative cover.

When using electrical equipment, basic safety precautions should always be followed, including the following:

- Read all instructions carefully before installing and save for future use.
- Make sure all connections are in accordance with the National Electrical Code and local regulations.
- To avoid possible electric shock, be sure the power supply is turned off before servicing or installing the fixture.
- Service should be performed by qualified personnel.
- These instructions may not cover all details or variations. If additional information is needed, please contact Visa Lighting.

Drawing: 762257XX

Rev: A

Sheet: 3 of 6

Eng: CLD

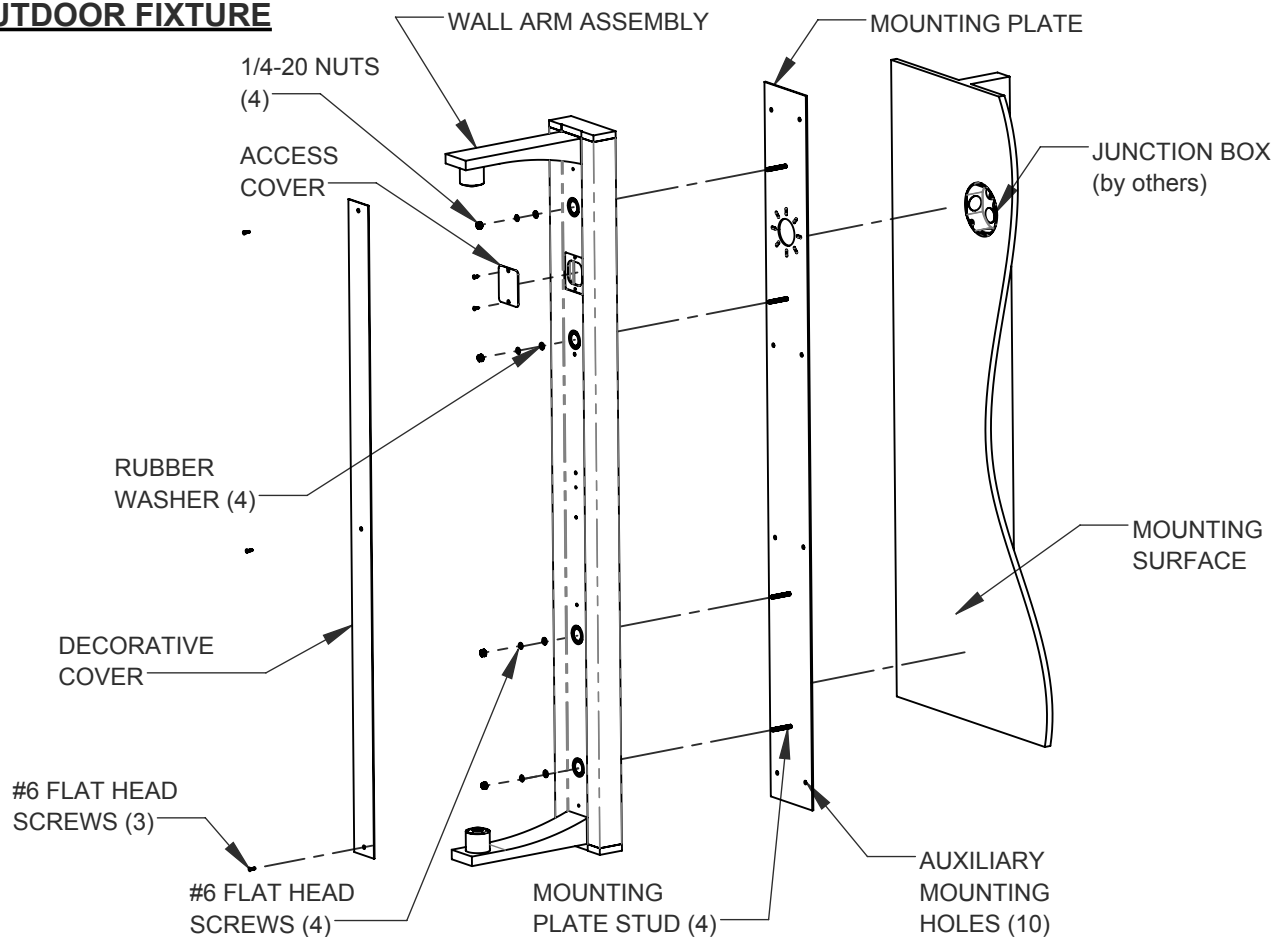
Date Drawn: 01/26/17

# INSTALLATION INSTRUCTIONS

Model: **CB5301, CB5303, OW5303**  
Fixture Family: **AIR FOIL**  
Document Description: Installation Instructions for AIR FOIL

**VISA LIGHTING**  
AN OLDENBURG GROUP COMPANY  
1717 West Civic Drive Milwaukee, WI 53209  
414-354-6600  
Design Modification Rights Reserved  
© Visa Lighting

## OUTDOOR FIXTURE



**\*NOTE:** LAMP HOUSING IS NOT SHOWN (FOR REFERENCE ONLY) TO HELP WITH INSTALLING FIXTURE TO THE WALL. REFER TO PAGE 5 FOR COMPLETE FIXTURE DETAILS.

### **\*DO NOT REMOVE LAMP HOUSING FROM WALL MOUNTING ARM ASSEMBLY\***

1. Remove decorative cover and wire access cover. Remove mounting plate and save nuts and washers.
2. Caulk around auxiliary mounting holes and area on mounting plate where it connects to the junction box. See page 6 for caulking instructions.
3. Locate auxiliary mounting holes and install anchors (by others). Secure mounting plate to junction box. Secure mounting plate to wall using auxiliary mounting holes. Attach with screws into wall anchors (by others).
4. Align fixture with mounting plate studs on back plate. Slide fixture onto wall mounting plate. Install metal washers, rubber washers, and 1/4-20 nuts on to mounting plate studs. Make sure fixture is supported in position until 1/4-20 nuts have been installed. Tighten 1/4-20 nuts to draw housing flush with wall.
5. Make all electrical connections in accordance with local and national electric codes.
6. Re-install access cover and decorative cover.

When using electrical equipment, basic safety precautions should always be followed, including the following:

- Read all instructions carefully before installing and save for future use.
- Make sure all connections are in accordance with the National Electrical Code and local regulations.
- To avoid possible electric shock, be sure the power supply is turned off before servicing or installing the fixture.
- Service should be performed by qualified personnel.
- These instructions may not cover all details or variations. If additional information is needed, please contact Visa Lighting.

Drawing: 762257XX

Rev: A

Sheet: 4 of 6

Eng: CLD

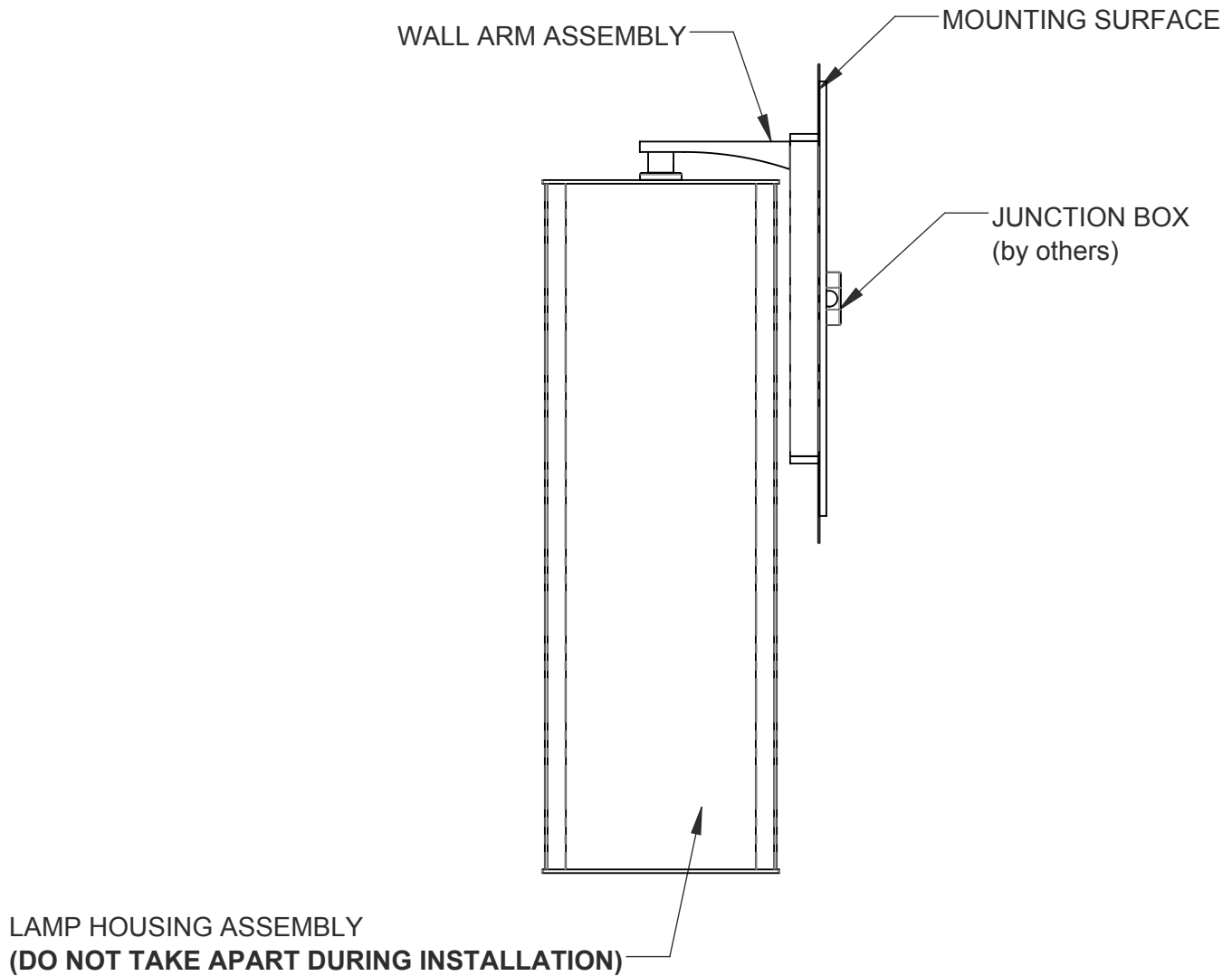
Date Drawn: 01/26/17

# INSTALLATION INSTRUCTIONS

Model: **CB5301, CB5303, OW5303**  
Fixture Family: **AIR FOIL**  
Document Description: Installation Instructions for AIR FOIL

**VISA LIGHTING**  
AN OLDENBURG GROUP COMPANY  
1717 West Civic Drive Milwaukee, WI 53209  
414-354-6600  
Design Modification Rights Reserved  
© Visa Lighting

## REFERENCE PAGE



EXAMPLE OF HOW THE FINISHED PRODUCT SHOULD LOOK LIKE ONCE INSTALLED ON WALL.  
STYLE MAY VARY, BUT INSTALLS SIMILARLY ON ALL MODELS.

Drawing: 762257XX

Rev: A

Sheet: 5 of 6

Eng: CLD

Date Drawn: 01/26/17



When using electrical equipment, basic safety precautions should always be followed, including the following:

- Read all instructions carefully before installing and save for future use.
- Make sure all connections are in accordance with the National Electrical Code and local regulations.
- To avoid possible electric shock, be sure the power supply is turned off before servicing or installing the fixture.
- Service should be performed by qualified personnel.
- These instructions may not cover all details or variations. If additional information is needed, please contact Visa Lighting.

# INSTALLATION INSTRUCTIONS

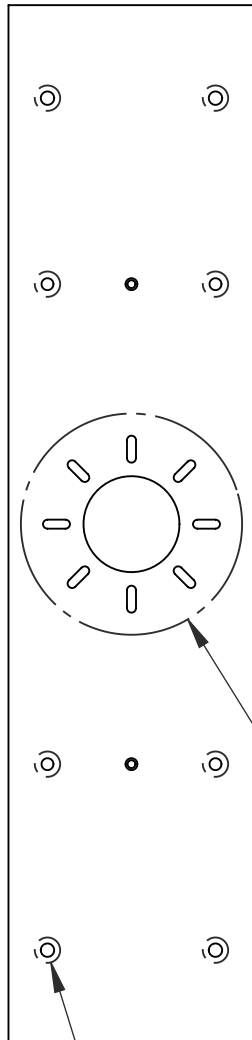
Model: **CB5301, CB5303, OW5303**  
Fixture Family: **AIR FOIL**  
Document Description: Installation Instructions for AIR FOIL

**VISA LIGHTING**  
AN OLDENBURG GROUP COMPANY  
1717 West Civic Drive Milwaukee, WI 53209  
414-354-6600  
Design Modification Rights Reserved  
© Visa Lighting

## CAULKING INSTRUCTIONS

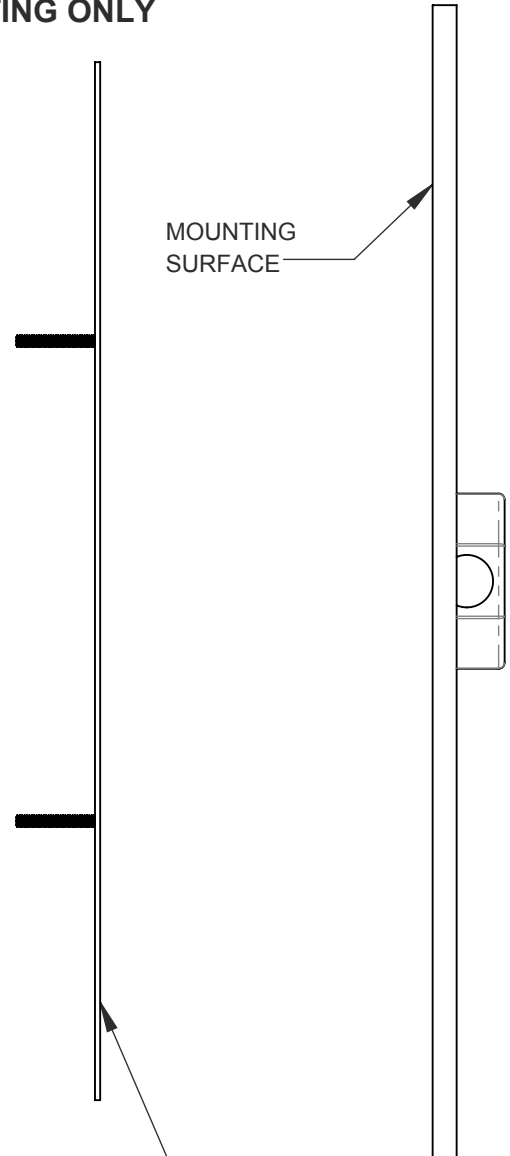
**\*FOR OUTDOOR MOUNTING ONLY**

### BACK SIDE VIEW



DASHED LINES REPRESENT WHERE CAULKING SHOULD BE PLACED, ON MOUNTING SURFACE (WALL SIDE) OF MOUNTING PLATE, BEFORE ATTACHING MOUNTING PLATE TO SURFACE.

CAULK AUXILIARY MOUNTING HOLES  
(10) PLCS



MOUNTING SURFACE

SURFACE TO BE CAULKED BEFORE MOUNTING TO SURFACE (BACK SIDE).

### NOTES:

1. CAULK AROUND JUNCTION BOX LOCATION ON MOUNTING PLATE AND AUXILIARY MOUNTING HOLES.
2. CLEAN UP ANY EXCESS CAULK THAT HAS BEEN SQUEEZED OUT AFTER INSTALLING MOUNTING PLATE, (TO ENSURE PROPER FIT WHEN FIXTURE IS INSTALLED TO MOUNTING PLATE). THIS COULD CAUSE AN ISSUE WHEN INSTALLING FIXTURE IF NOT REMOVED.

When using electrical equipment, basic safety precautions should always be followed, including the following:

- Read all instructions carefully before installing and save for future use.
- Make sure all connections are in accordance with the National Electrical Code and local regulations.
- To avoid possible electric shock, be sure the power supply is turned off before servicing or installing the fixture.
- Service should be performed by qualified personnel.
- These instructions may not cover all details or variations. If additional information is needed, please contact Visa Lighting.

Drawing: 762257XX

Rev: A

Sheet: 6 of 6

Eng: CLD

Date Drawn: 01/26/17