

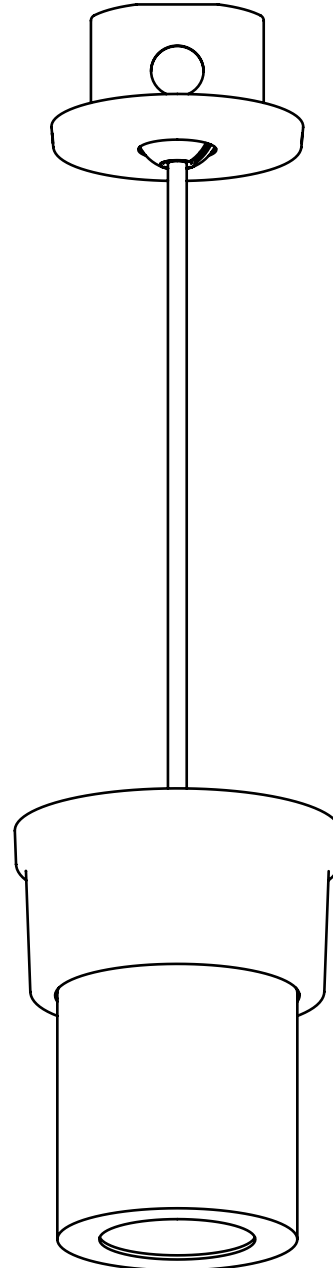
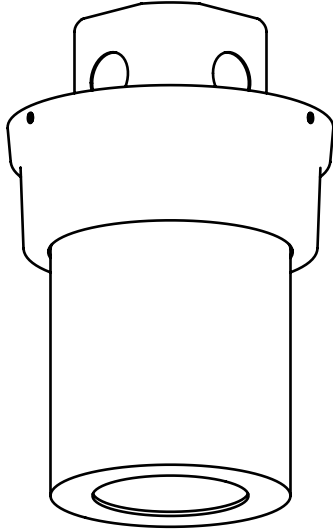
INSTALLATION INSTRUCTIONS

Model: **CP1542, CM1542**
Fixture Family: **CANE**
Document Description: Installation Instructions for
LED Series Luminaires

VISA LIGHTING
AN OLDENBURG GROUP COMPANY
1717 West Civic Drive Milwaukee, WI 53209
414-354-6600
Design Modification Rights Reserved
© Visa Lighting 2016

INSTALLATION INSTRUCTIONS FOR CANE:

CP1542
CM1542



Drawing: 762261XX

Rev: A

Sheet: 1 of 3

Eng: AJM

Date Drawn: 12/5/16

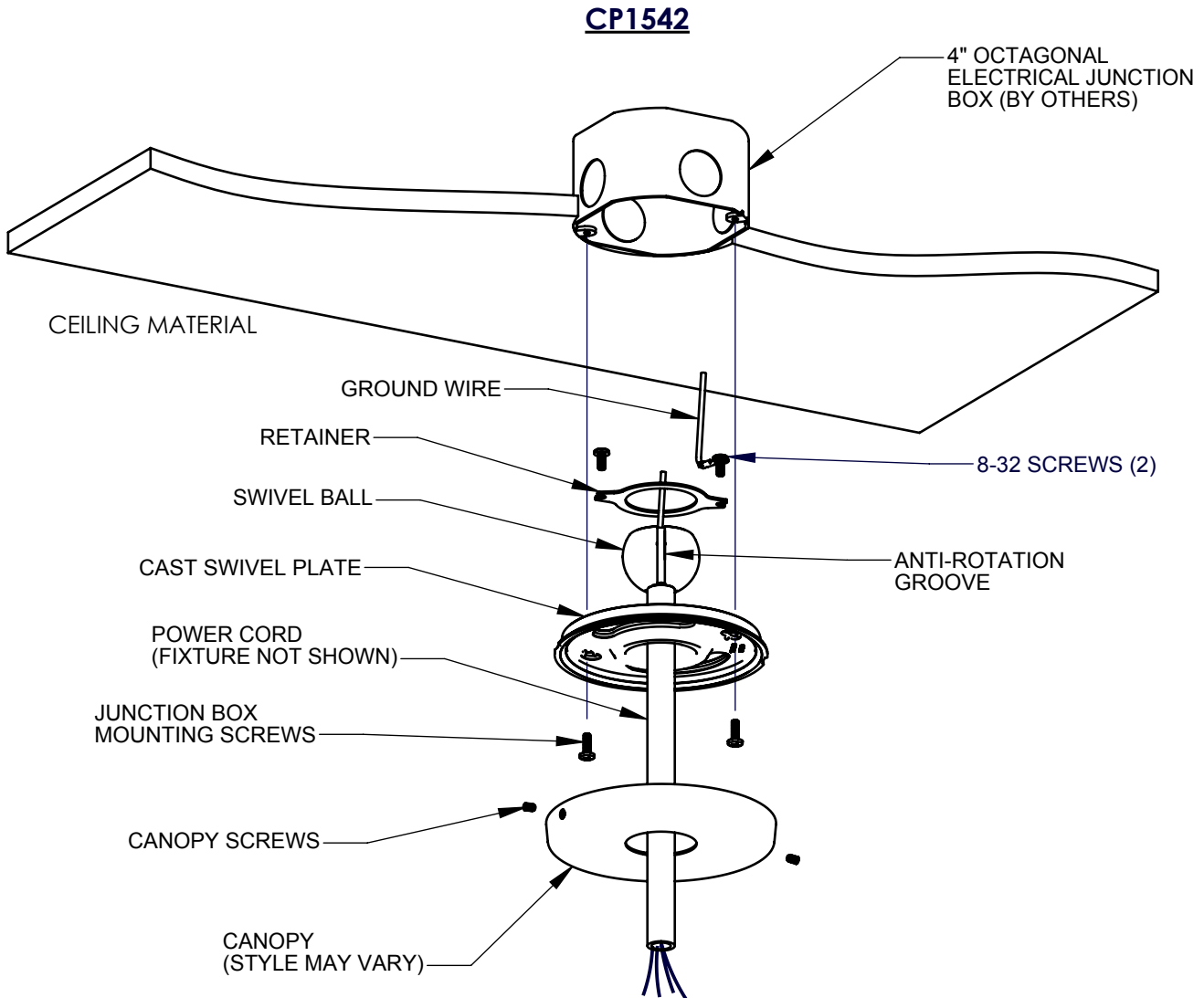
! When using electrical equipment, basic safety precautions should always be followed, including the following:

- Read all instructions carefully before installing and save for future use.
- Make sure all connections are in accordance with the National Electrical Code and local regulations.
- To avoid possible electric shock, be sure the power supply is turned off before servicing or installing the fixture.
- Service should be performed by qualified personnel.
- These instructions may not cover all details or variations. If additional information is needed, please contact Visa Lighting.

INSTALLATION INSTRUCTIONS

Model: **CP1542, CM1542**
Fixture Family: **CANE**
Document Description: Installation Instructions for
LED Series Luminaires

VISA LIGHTING
AN OLDENBURG GROUP COMPANY
1717 West Civic Drive Milwaukee, WI 53209
414-354-6600
Design Modification Rights Reserved
© Visa Lighting



Instructions -

Note: Depending on the length of screws supplied with the junction box (by others) you may need to use the longer screws provided.

1. Fasten Cast Swivel Plate to junction box with 8-32 screws.
2. Make all wire connections per local and national codes.
3. Lift canopy in place and secure with screws provided.

When using electrical equipment, basic safety precautions should always be followed, including the following:

- Read all instructions carefully before installing and save for future use.
- Make sure all connections are in accordance with the National Electrical Code and local regulations.
- To avoid possible electric shock, be sure the power supply is turned off before servicing or installing the fixture.
- Service should be performed by qualified personnel.
- These instructions may not cover all details or variations. If additional information is needed, please contact Visa Lighting.

Drawing: 762261XX

Rev: A

Sheet: 2 of 3

Eng: AJM

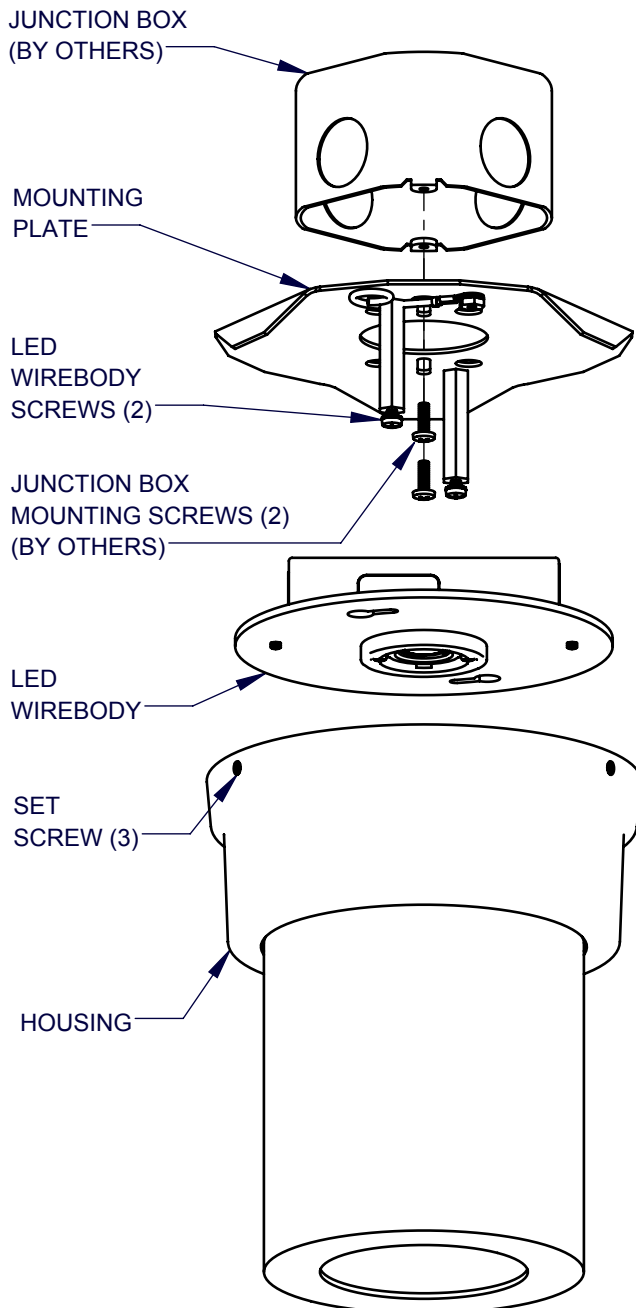
Date Drawn: 12/5/16

INSTALLATION INSTRUCTIONS

Model: **CP1542, CM1542**
Fixture Family: **CANE**
Document Description: Installation Instructions for
LED Series Luminaires

VISA LIGHTING
AN OLDENBURG GROUP COMPANY
1717 West Civic Drive Milwaukee, WI 53209
414-354-6600
Design Modification Rights Reserved
© Visa Lighting

CM1542



Instructions -

1. Remove the housing from the mounting plate by loosening the three set screws.
2. Remove LED wirebody by loosening the two LED wirebody screws.
3. Attach the mounting plate to the junction box with two junction box mounting screws (by others).
4. Re-attach LED wirebody and make necessary wire connections per local, state and national codes.
5. Re-attach housing by tightening the three set screws.

Drawing: 762261XX

Rev: A

Sheet: 3 of 3

Eng: AJM

Date Drawn: 12/5/16

When using electrical equipment, basic safety precautions should always be followed, including the following:

- Read all instructions carefully before installing and save for future use.
- Make sure all connections are in accordance with the National Electrical Code and local regulations.
- To avoid possible electric shock, be sure the power supply is turned off before servicing or installing the fixture.
- Service should be performed by qualified personnel.
- These instructions may not cover all details or variations. If additional information is needed, please contact Visa Lighting.