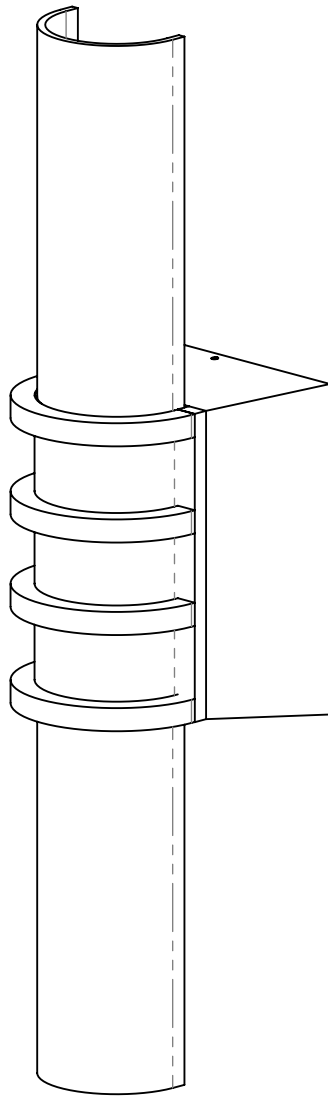


# INSTALLATION INSTRUCTIONS

Model: **CB5110, CB5112, CB5114**  
Fixture Family: **MINI COLONNADE**  
Document Description: Installation Instructions for  
MINI COLONNADE Series Luminaires

**VISA LIGHTING**  
AN OLDENBURG GROUP COMPANY  
1717 West Civic Drive Milwaukee, WI 53209  
414-354-6600  
Design Modification Rights Reserved  
© Visa Lighting 2016



\*STYLE MAY VARY

## MINI COLONNADE

**CB5110**  
**CB5112**  
**CB5114**

Drawing: 762264XX

Rev: A

Sheet: 1 of 2

Eng: CLD

Date Drawn: 02/03/17

When using electrical equipment, basic safety precautions should always be followed, including the following:

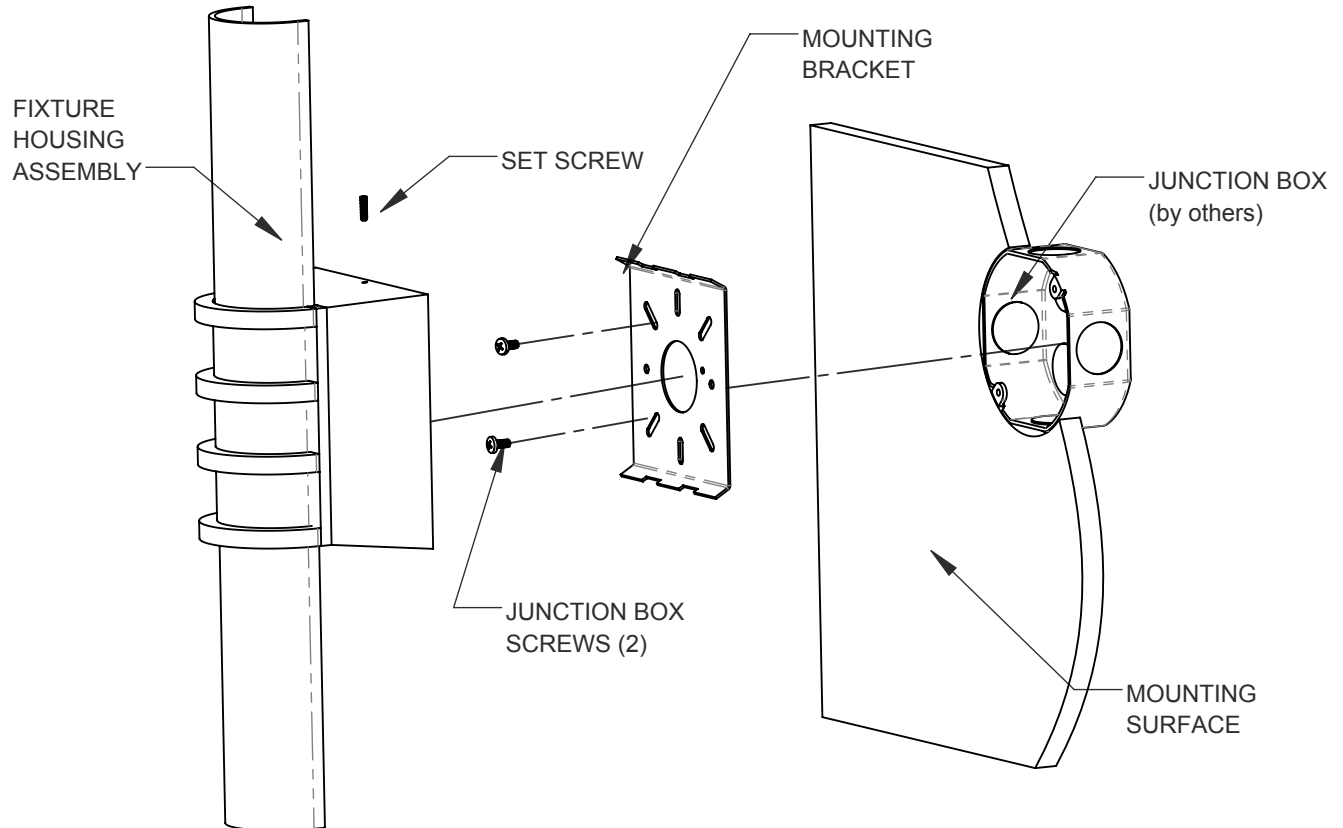
- Read all instructions carefully before installing and save for future use.
- Make sure all connections are in accordance with the National Electrical Code and local regulations.
- To avoid possible electric shock, be sure the power supply is turned off before servicing or installing the fixture.
- Service should be performed by qualified personnel.

• These instructions may not cover all details or variations. If additional information is needed, please contact Visa Lighting.

# INSTALLATION INSTRUCTIONS

Model: **CB5110, CB5112, CB5114**  
Fixture Family: **MINI COLONNADE**  
Document Description: Installation Instructions for  
MINI COLONNADE Series Luminaires

**VISA LIGHTING**  
AN OLDENBURG GROUP COMPANY  
1717 West Civic Drive Milwaukee, WI 53209  
414-354-6600  
Design Modification Rights Reserved  
© Visa Lighting



Drawing: 762264XX

Rev: A

Sheet: 2 of 2

Eng: CLD

Date Drawn: 02/03/17

1. Remove mounting bracket from the fixture by loosening the set screw just enough to be able to remove the mounting bracket. Do not remove the set screw completely.
2. Install the mounting bracket to the junction box with the junction box screws (by others).
3. Make all electrical connections according to national and local codes.
4. Install fixture housing assembly onto mounting bracket. Make sure excess electrical wires are pushed into the junction box and not the fixture housing assembly. This can cause the fixture to not sit flush to the mounting surface and cause improper installation.
5. Hold the fixture housing assembly to the wall and tighten the set screw until the fixture housing assembly is completely flush with the mounting surface.

**NOTE:** The mounting surface **MUST BE FLAT** and fixture housing cannot be recessed into mounting surface.

When using electrical equipment, basic safety precautions should always be followed, including the following:

- Read all instructions carefully before installing and save for future use.
- Make sure all connections are in accordance with the National Electrical Code and local regulations.
- To avoid possible electric shock, be sure the power supply is turned off before servicing or installing the fixture.
- Service should be performed by qualified personnel.
- These instructions may not cover all details or variations. If additional information is needed, please contact Visa Lighting.