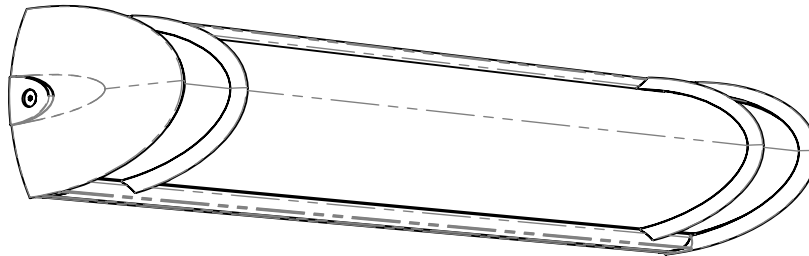


# INSTALLATION INSTRUCTIONS

Model: **CV1800, 02, 04, 06, 08, 10, 12, 14, 18**  
Fixture Family: **INDOOR RAVEN**  
Document Description: Installation Instructions for  
RAVEN Series Luminaires

**VISA LIGHTING**  
AN OLDENBURG GROUP COMPANY  
1717 West Civic Drive Milwaukee, WI 53209  
414-354-6600  
Design Modification Rights Reserved  
© Visa Lighting 2016



\*SIZE MAY VARY

## RAVEN INDOOR

<b>CV1800</b>	<b>CV1802</b>
<b>CV1804</b>	<b>CV1806</b>
<b>CV1808</b>	<b>CV1810</b>
<b>CV1812</b>	<b>CV1814</b>
<b>CV1818</b>	

**PAGE 2: LED**

**PAGE 3: FLR**

Drawing: 762267XX

Rev: A

Sheet: 1 of 3

Eng: CLD

Date Drawn: 05/08/17

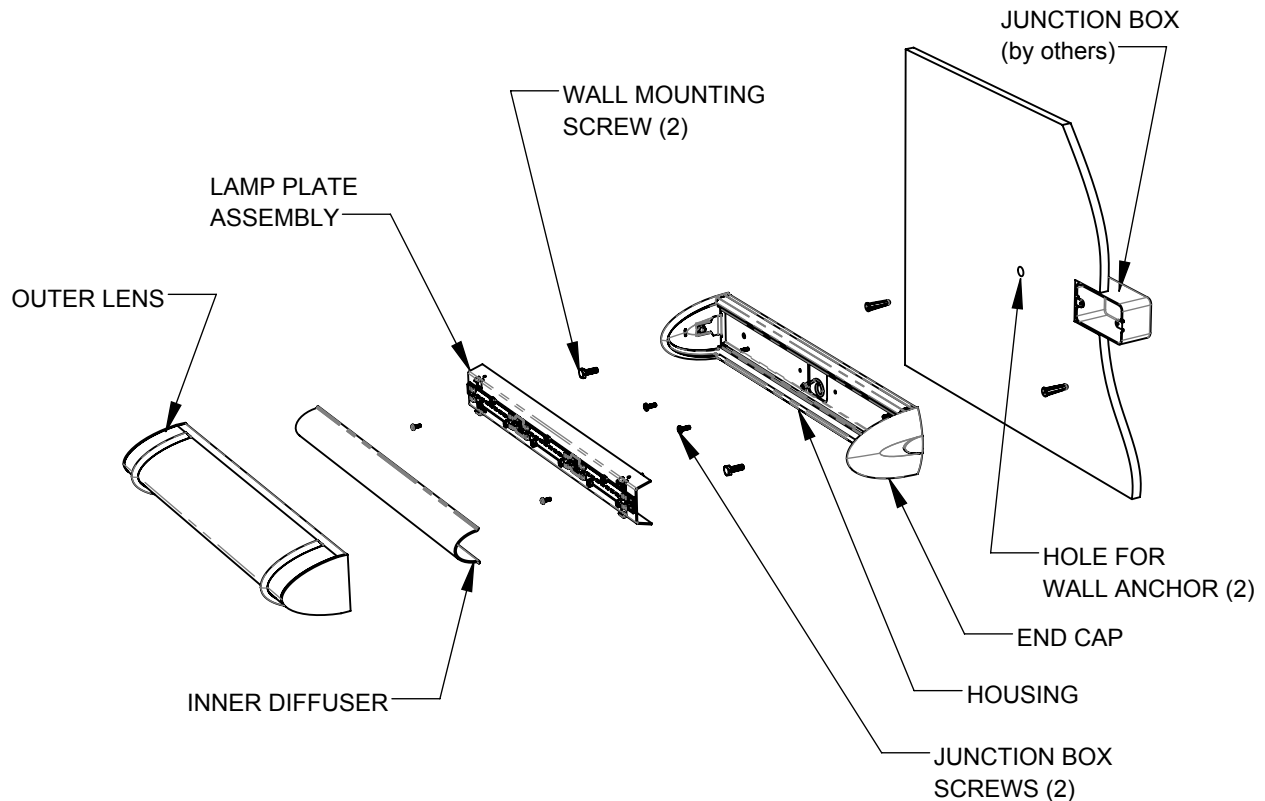
**!** When using electrical equipment, basic safety precautions should always be followed, including the following:

- Read all instructions carefully before installing and save for future use.
- Make sure all connections are in accordance with the National Electrical Code and local regulations.
- To avoid possible electric shock, be sure the power supply is turned off before servicing or installing the fixture.
- Service should be performed by qualified personnel.
- These instructions may not cover all details or variations. If additional information is needed, please contact Visa Lighting.

# INSTALLATION INSTRUCTIONS

Model: **CV1800, 02, 04, 06, 08, 10, 12, 14, 18**  
Fixture Family: **INDOOR RAVEN**  
Document Description: Installation Instructions for  
RAVEN Series Luminaires

**VISA LIGHTING**  
AN OLDENBURG GROUP COMPANY  
1717 West Civic Drive Milwaukee, WI 53209  
414-354-6600  
Design Modification Rights Reserved  
© Visa Lighting



1. Carefully remove outer lens by loosening the screws on each side of end cap. Remove the inner lens from fixture and set aside.
2. Remove the lamp plate assembly from the housing by removing the lamp plate screws.
3. Secure the housing to the junction box with junction box screws (by others). Make sure fixture is level or plumb, depending on the orientation, and mark the holes on the mounting surface for the wall anchors using the mounting holes on the housing.
4. Remove housing from junction box (by others). Drill holes in mounting surface for the wall anchors.
5. Reinstall housing to junction box with junction box screws (by others), and secure to mounting surface with wall mounting screws.
6. Make wire connections according to local and national codes. Install lamp plate assembly and secure using the lamp plate screws.
7. Carefully install the inner lens into the clips on the lamp plate assembly.
8. Install lens assembly by pulling top of cast end caps in direction of arrows and push lens into gasketing in back plate assembly (See page 3 for instructions). Be sure that lens assembly is seated against the gasket and captivated by the end caps.

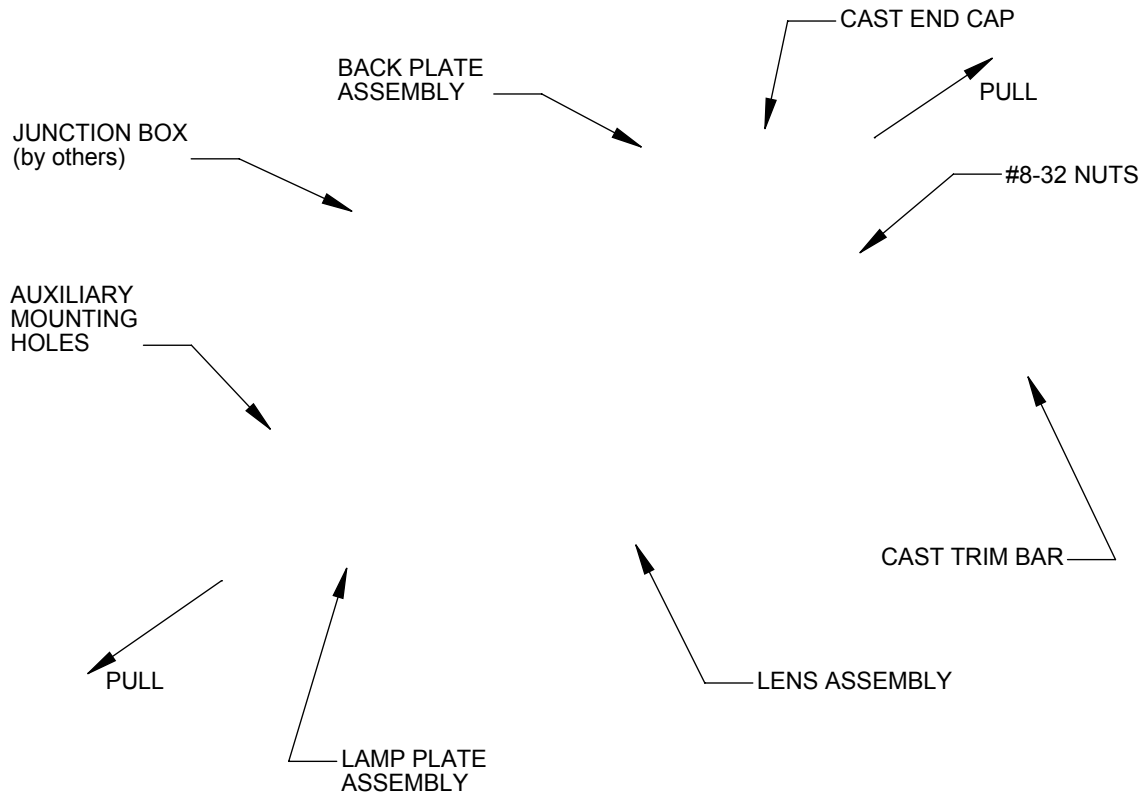
**!** When using electrical equipment, basic safety precautions should always be followed, including the following:

- Read all instructions carefully before installing and save for future use.
- Make sure all connections are in accordance with the National Electrical Code and local regulations.
- To avoid possible electric shock, be sure the power supply is turned off before servicing or installing the fixture.
- Service should be performed by qualified personnel.
- These instructions may not cover all details or variations. If additional information is needed, please contact Visa Lighting.

# INSTALLATION INSTRUCTIONS

Model: **CV1800, 02, 04, 06, 08, 10, 12, 14, 18**  
Fixture Family: **INDOOR RAVEN**  
Document Description: Installation Instructions for  
RAVEN Series Luminaires

**VISA LIGHTING**  
AN OLDENBURG GROUP COMPANY  
1717 West Civic Drive Milwaukee, WI 53209  
414-354-6600  
Design Modification Rights Reserved  
© Visa Lighting



1. Remove lens assembly by pulling top of cast end caps in direction shown by arrows. Pull lens assembly away from back plate assembly.  
\*Note: Vandal resistant fixtures have screws attaching the end caps to the lens.
2. Remove lamp plate assembly by removing (2) #8-32 nuts and pulling away from the back plate assembly.
3. Mount the backplate assembly to the junction box (by others) and to mounting surface through auxiliary mounting holes.
4. Make all electrical connections according to local and national codes.
5. Reinstall lamp plate assembly by aligning screws on back plate and attaching with (2) #8-32 nuts
6. Install proper lamps (by others).
7. Install lens assembly by pulling top of cast end caps in direction of arrows and push lens into gasketing in back plate assembly. Be sure that lens assembly is fully pushed into gasket and captivated by the end caps.

Drawing: 762267XX

Rev: A

Sheet: 3 of 3

Eng: CLD

Date Drawn: 05/08/17



When using electrical equipment, basic safety precautions should always be followed, including the following:

- Read all instructions carefully before installing and save for future use.
- Make sure all connections are in accordance with the National Electrical Code and local regulations.
- To avoid possible electric shock, be sure the power supply is turned off before servicing or installing the fixture
- Service should be performed by qualified personnel.
- These instructions may not cover all details or variations. If additional information is needed, please contact Visa Lighting.