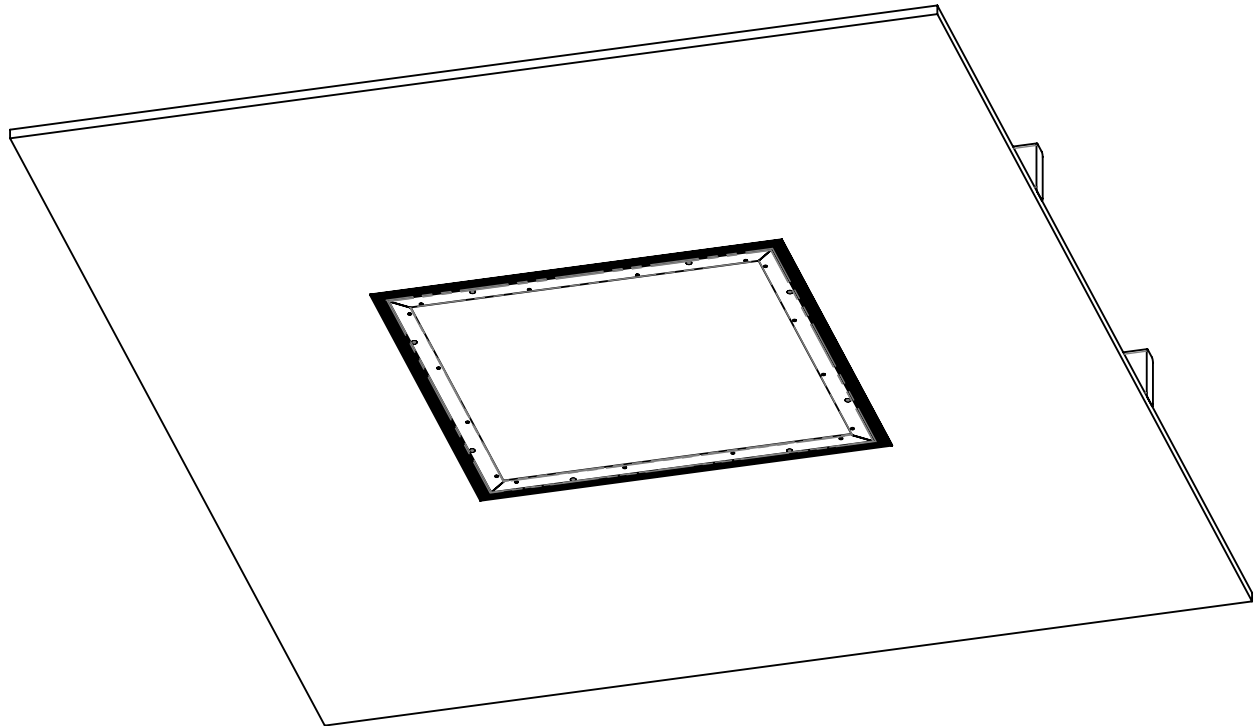


INSTALLATION INSTRUCTIONS

Model: **CM1922, CM1924**
Fixture Family: **SERENITY BEHAVIORAL HEALTH**
Document Description: Installation Instructions for
MUD FLANGE INSTALLATION

 **VISA LIGHTING**
AN OLDENBURG GROUP COMPANY
1717 West Civic Drive Milwaukee, WI 53209
414-354-6600
Design Modification Rights Reserved
© Visa Lighting



SERENITY BEHAVIORAL HEALTH

CM1922
CM1924

Drawing: 762268XX

Rev: C

Sheet: 1 of 8

Eng: CG2

Date Drawn: 4/26/17

 When using electrical equipment, basic safety precautions should always be followed, including the following:

- Read all instructions carefully before installing and save for future use.
- Make sure all connections are in accordance with the National Electrical Code and local regulations.
- To avoid possible electric shock, be sure the power supply is turned off before servicing or installing the fixture.
- Service should be performed by qualified personnel.
- These instructions may not cover all details or variations. If additional information is needed, please contact Visa Lighting.

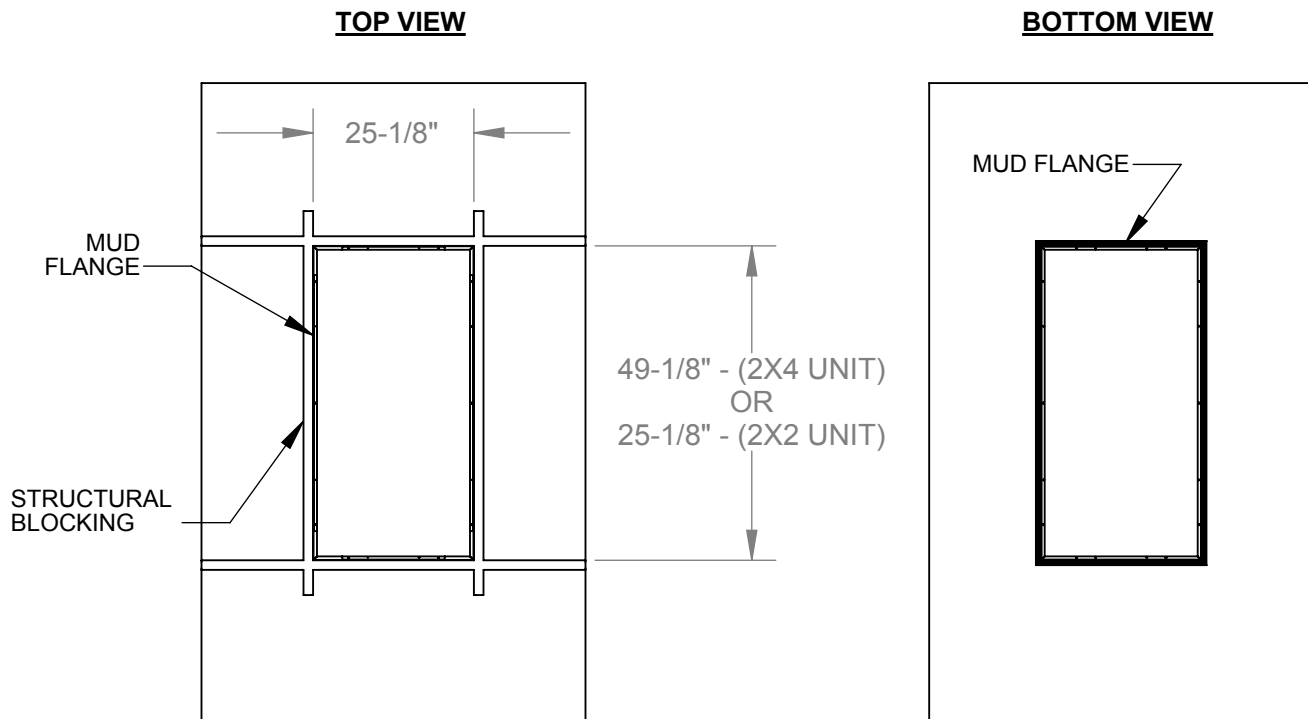
INSTALLATION INSTRUCTIONS

Model: **CM1922, CM1924**
Fixture Family: **SERENITY BEHAVIORAL HEALTH**
Document Description: Installation Instructions for
MUD FLANGE INSTALLATION

Overview of Serenity Behavioral Health fixture installation

1. Install special mud flange into drywall ceiling - structural blocking required (Sheets 2 & 3)
2. Secure recessed fixture mounting yokes spaced as shown, to the structural blocking (Sheet 4)
3. Install the fixture to the mounting yokes (Sheet 8)
4. Install protective lens frame into the lower portion of the mud flange (Sheet 8)

INITIAL DRYWALL ROUGH IN WITH MUD FLANGE



1. For 2 x 4 application, cut rough in (25-1/8" x 49-1/8") opening.
Note: Opening dimensions are minimum values, do not cut under 25-1/8" x 49-1/8"
2. Install Structural Blocking (by others) around the perimeter of the rough in opening
Note: See dimensions above for 2 x 2 application

! When using electrical equipment, basic safety precautions should always be followed, including the following:

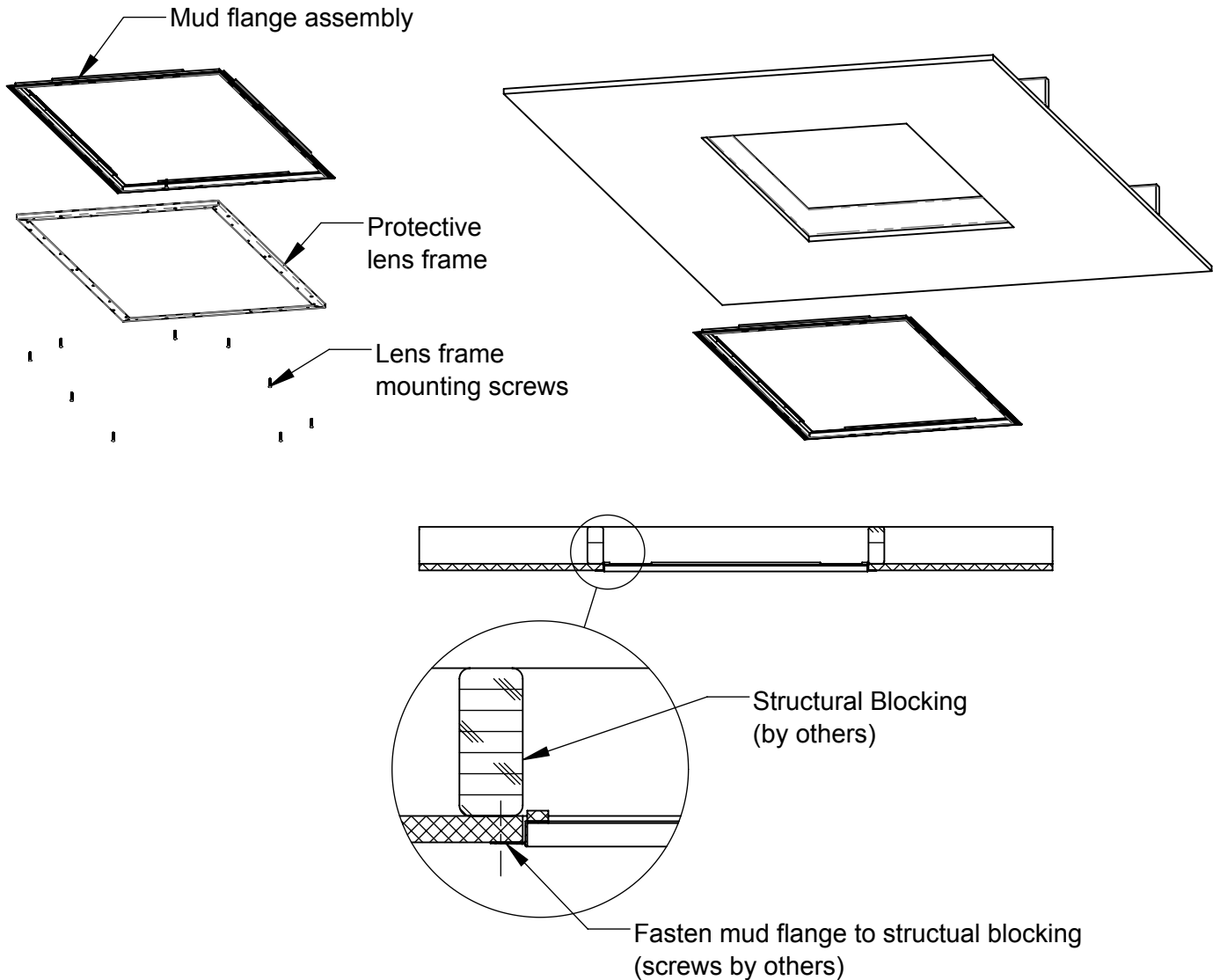
- Read all instructions carefully before installing and save for future use.
- Make sure all connections are in accordance with the National Electrical Code and local regulations.
- To avoid possible electric shock, be sure the power supply is turned off before servicing or installing the fixture
- Service should be performed by qualified personnel.
- These instructions may not cover all details or variations. If additional information is needed, please contact Visa Lighting.

INSTALLATION INSTRUCTIONS

Model: **CM1922, CM1924**
Fixture Family: **SERENITY BEHAVIORAL HEALTH**
Document Description: Installation Instructions for
MUD FLANGE INSTALLATION

VISA LIGHTING
AN OLDENBURG GROUP COMPANY
1717 West Civic Drive Milwaukee, WI 53209
414-354-6600
Design Modification Rights Reserved
© Visa Lighting

INITIAL DRYWALL ROUGH IN WITH MUD FLANGE



1. Remove Protective Lens frame from mud flange assembly - put frame aside along with the mounting screws... (To be reinstalled at end of installation)
2. Secure mud flange to face of drywall, into structural blocking (w/fasteners by others).

! When using electrical equipment, basic safety precautions should always be followed, including the following:

- Read all instructions carefully before installing and save for future use.
- Make sure all connections are in accordance with the National Electrical Code and local regulations.
- To avoid possible electric shock, be sure the power supply is turned off before servicing or installing the fixture.
- Service should be performed by qualified personnel.
- These instructions may not cover all details or variations. If additional information is needed, please contact Visa Lighting.

Drawing: 762268XX

Rev: C

Sheet: 3 of 8

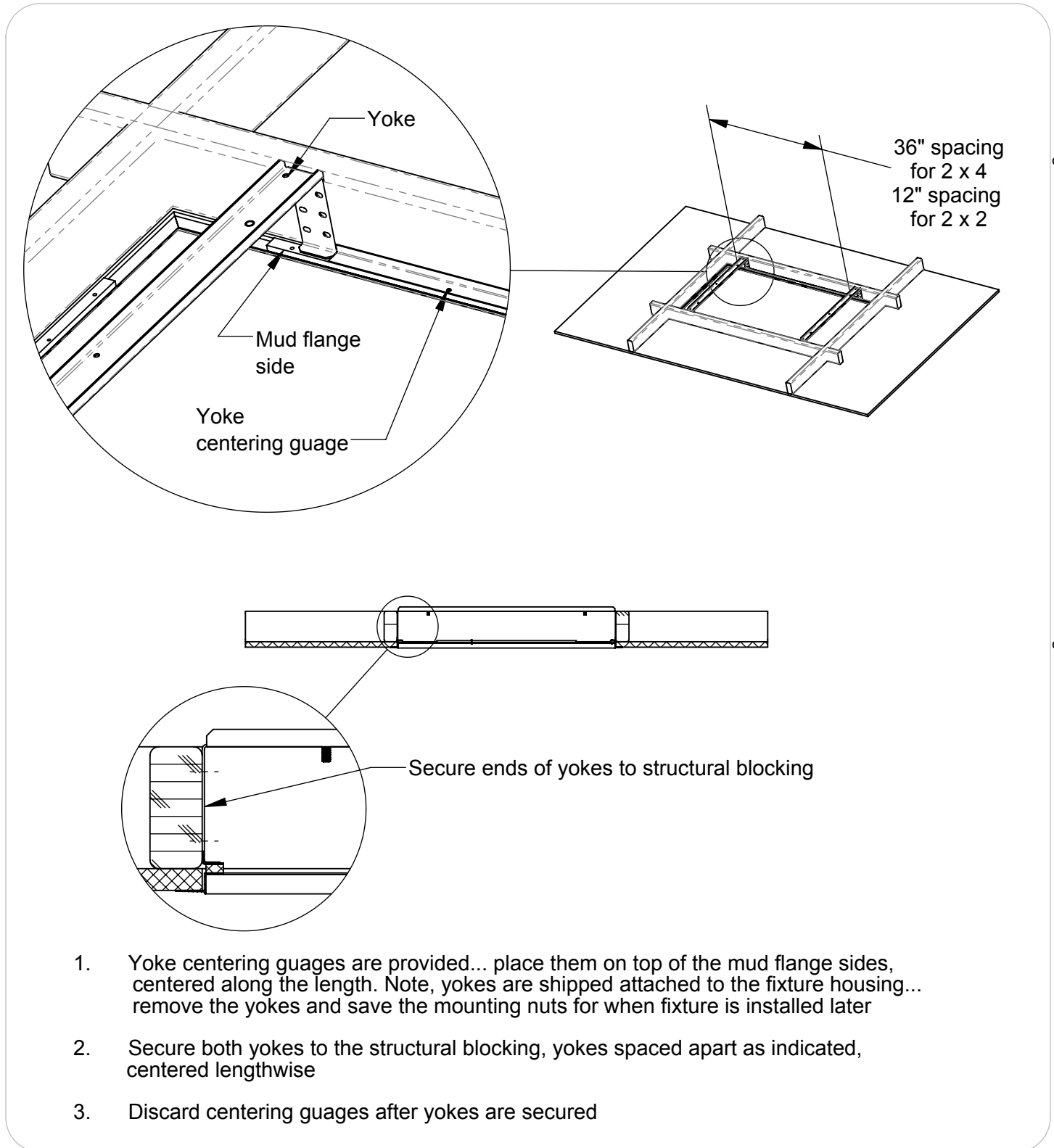
Eng: CG2

Date Drawn: 4/26/17

INSTALLATION INSTRUCTIONS

Model: **CM1922, CM1924**
Fixture Family: **SERENITY BEHAVIORAL HEALTH**
Document Description: Installation Instructions for
MUD FLANGE INSTALLATION

VISA LIGHTING
AN OLDENBURG GROUP COMPANY
1717 West Civic Drive Milwaukee, WI 53209
414-354-6600
Design Modification Rights Reserved
© Visa Lighting



Drawing: 762268XX

Rev: C

Sheet: 4 of 8

Eng: CG2

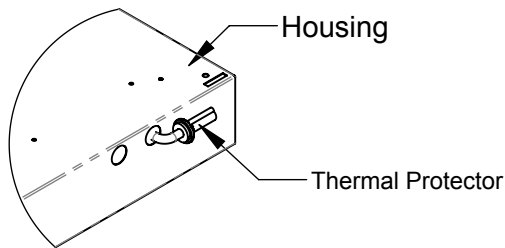
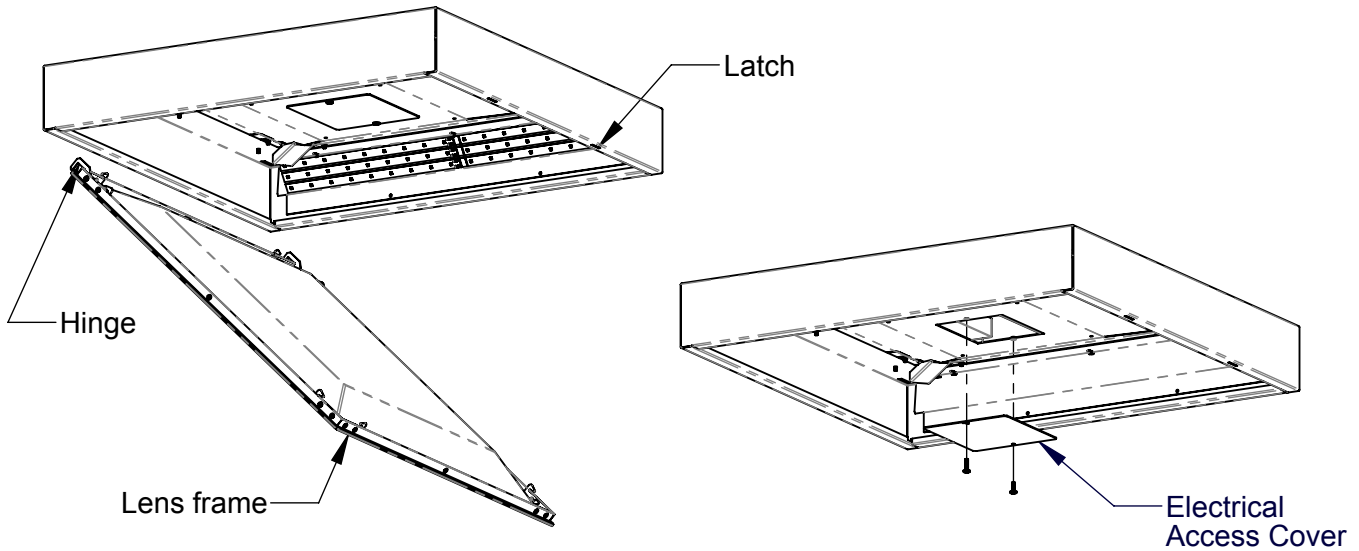
Date Drawn: 4/26/17

! When using electrical equipment, basic safety precautions should always be followed, including the following:

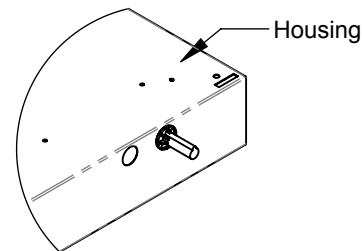
- Read all instructions carefully before installing and save for future use.
- Make sure all connections are in accordance with the National Electrical Code and local regulations.
- To avoid possible electric shock, be sure the power supply is turned off before servicing or installing the fixture
- Service should be performed by qualified personnel.
- These instructions may not cover all details or variations. If additional information is needed, please contact Visa Lighting.

INSTALLATION INSTRUCTIONS

Model: **CM1922, CM1924**
Fixture Family: **SERENITY BEHAVIORAL HEALTH**
Document Description: Installation Instructions for
MUD FLANGE INSTALLATION



**THERMAL PROTECTOR
(AS SHIPPED)**



**THERMAL PROTECTOR
(INSTALLED)**

1. Remove the lens frame from the fixture. Unlatch one end, swinging frame down/out approximately 45° and unlock the hinge from the housing. Set lens frame aside, to be reinstalled later.
2. Remove electrical access cover
3. Note: thermal protectors are shipped taped to the top of the housing to prevent damage in shipment.
4. Push the thermal protector into the hole until it snaps in place. Wire the fixture per instructions on the following pages

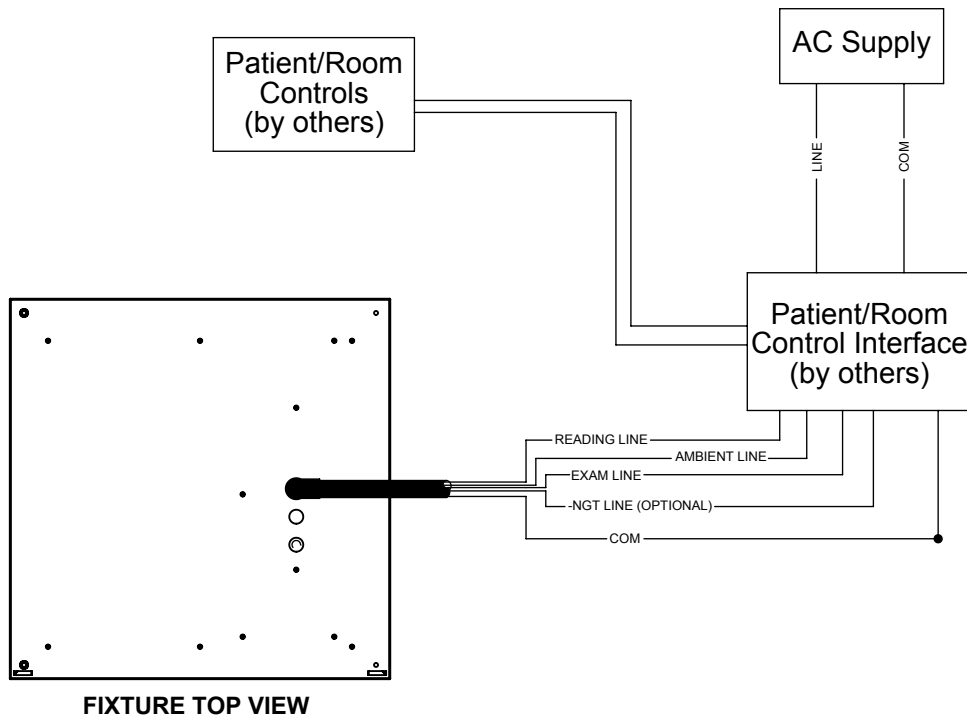
When using electrical equipment, basic safety precautions should always be followed, including the following:

- Read all instructions carefully before installing and save for future use.
- Make sure all connections are in accordance with the National Electrical Code and local regulations.
- To avoid possible electric shock, be sure the power supply is turned off before servicing or installing the fixture.
- Service should be performed by qualified personnel.
- These instructions may not cover all details or variations. If additional information is needed, please contact Visa Lighting.

INSTALLATION INSTRUCTIONS

Model: **CM1922, CM1924**
Fixture Family: **SERENITY BEHAVIORAL HEALTH**
Document Description: Installation Instructions for
MUD FLANGE INSTALLATION

CONTROL SYSTEM INTERFACE WIRING



WIRING INSTRUCTIONS

1. All connections to fixture are at line voltage. Use of a separate control interface (by others) is required to control fixture by means other than line-voltage switches.
2. All AC inputs to fixture must be supplied from the same branch circuit.

Drawing: 762268XX

Rev: C

Sheet: 6 of 8

Eng: CG2

Date Drawn: 4/26/17



When using electrical equipment, basic safety precautions should always be followed, including the following:

- Read all instructions carefully before installing and save for future use.
- Make sure all connections are in accordance with the National Electrical Code and local regulations.
- To avoid possible electric shock, be sure the power supply is turned off before servicing or installing the fixture.
- Service should be performed by qualified personnel.
- These instructions may not cover all details or variations. If additional information is needed, please contact Visa Lighting.

INSTALLATION INSTRUCTIONS



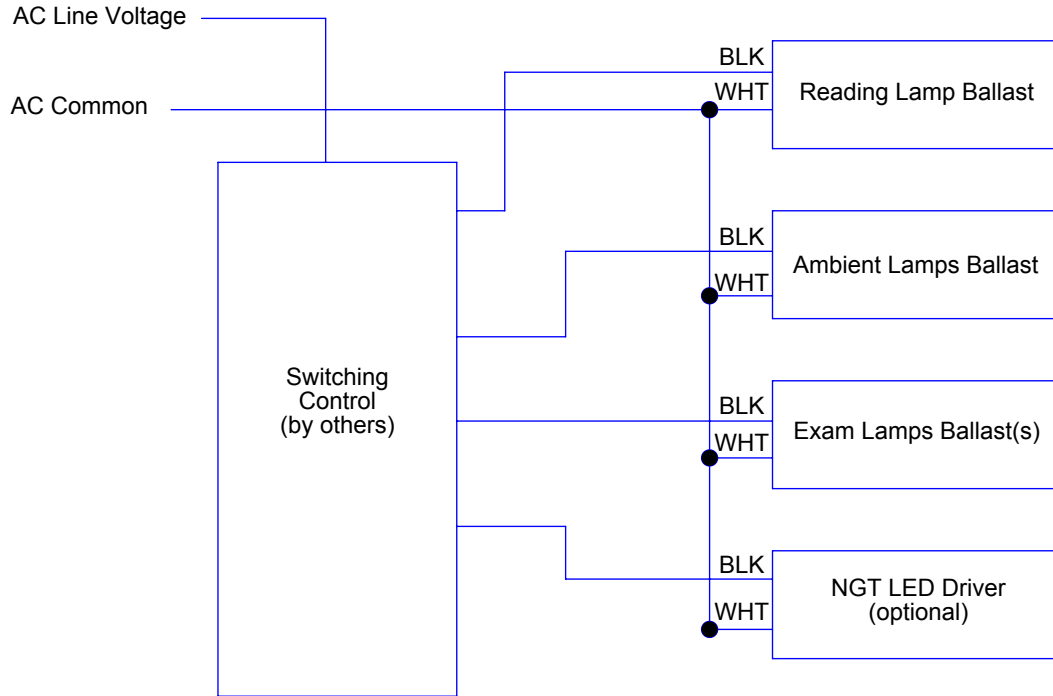
AN OLDENBURG GROUP COMPANY

1717 West Civic Drive Milwaukee, WI 53209
414-354-6600

Design Modification Rights Reserved
© Visa Lighting

Model: **CM1922, CM1924**
Fixture Family: **SERENITY BEHAVIORAL HEALTH**
Document Description: Installation Instructions for
MUD FLANGE INSTALLATION

INTERNAL WIRING BLOCK DIAGRAM



Drawing: 762268XX

Rev: C

Sheet: 7 of 8

Eng: CG2

Date Drawn: 4/26/17



When using electrical equipment, basic safety precautions should always be followed, including the following:

- Read all instructions carefully before installing and save for future use.
- Make sure all connections are in accordance with the National Electrical Code and local regulations.
- To avoid possible electric shock, be sure the power supply is turned off before servicing or installing the fixture.
- Service should be performed by qualified personnel.
- These instructions may not cover all details or variations. If additional information is needed, please contact Visa Lighting.

INSTALLATION INSTRUCTIONS

Model: **CM1922, CM1924**
Fixture Family: **SERENITY BEHAVIORAL HEALTH**
Document Description: Installation Instructions for
MUD FLANGE INSTALLATION

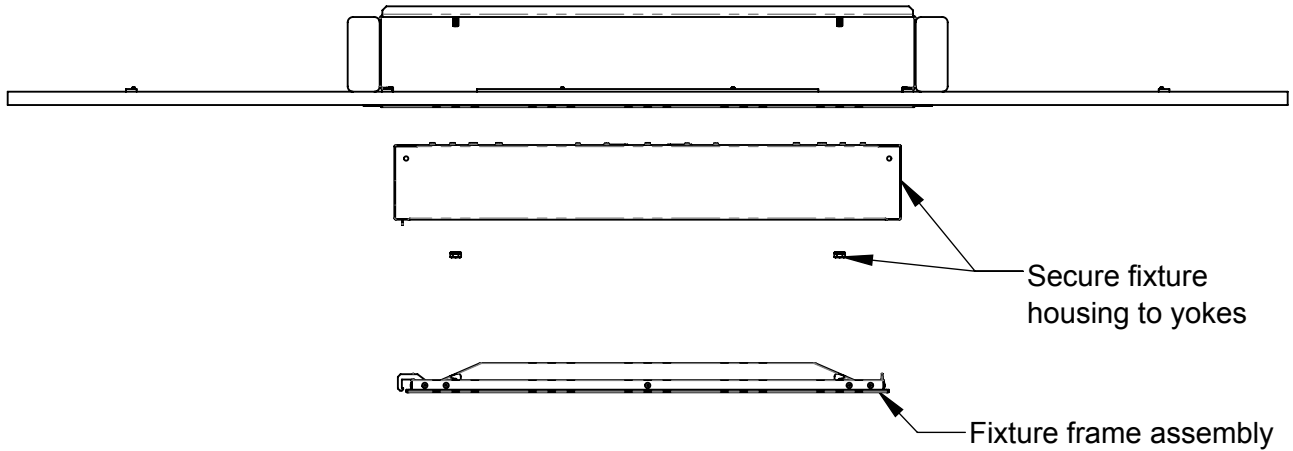
Drawing: 762268XX

Rev: C

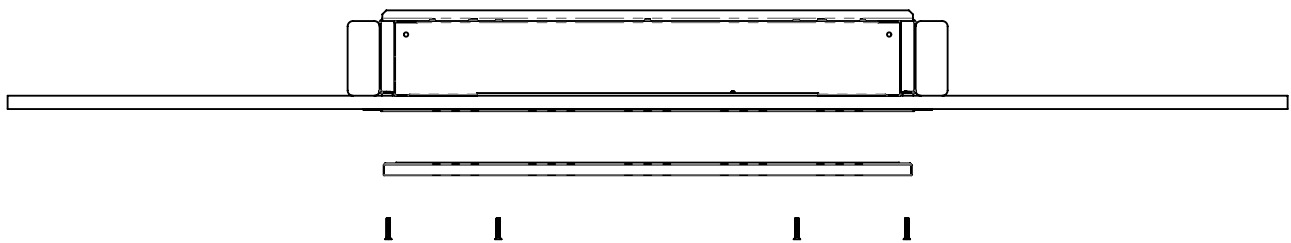
Sheet: 8 of 8

Eng: CG2

Date Drawn: 4/26/17



After wiring, secure fixture housing to yokes.
Reinstall fixture frame assembly into fixture housing



Reinstall protective lens frame assembly into mud flange



- When using electrical equipment, basic safety precautions should always be followed, including the following:
- Read all instructions carefully before installing and save for future use.
 - Make sure all connections are in accordance with the National Electrical Code and local regulations.
 - To avoid possible electric shock, be sure the power supply is turned off before servicing or installing the fixture.
 - Service should be performed by qualified personnel.
 - These instructions may not cover all details or variations. If additional information is needed, please contact Visa Lighting.