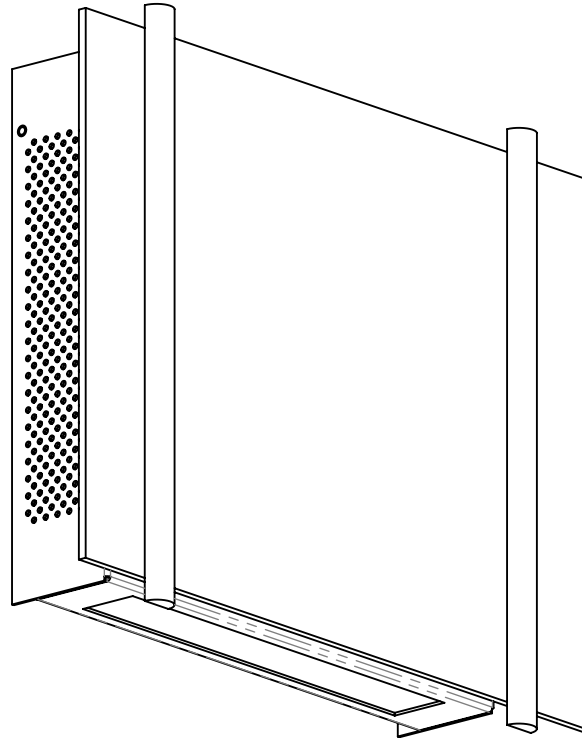


INSTALLATION INSTRUCTIONS

Model: **CB6354**
Fixture Family: **SASH**
Document Description: Installation Instructions for
SASH Luminaires

VISA LIGHTING
AN OLDENBURG GROUP COMPANY
1717 West Civic Drive Milwaukee, WI 53209
414-354-6600
Design Modification Rights Reserved
© Visa Lighting 2016



*STYLE MAY VARY

SASH

CB6354

PAGE 2: LED

PAGE 3: FLR

Drawing: 762286XX

Rev: A

Sheet: 1 of 3

Eng: DMM

Date Drawn: 9/21/17

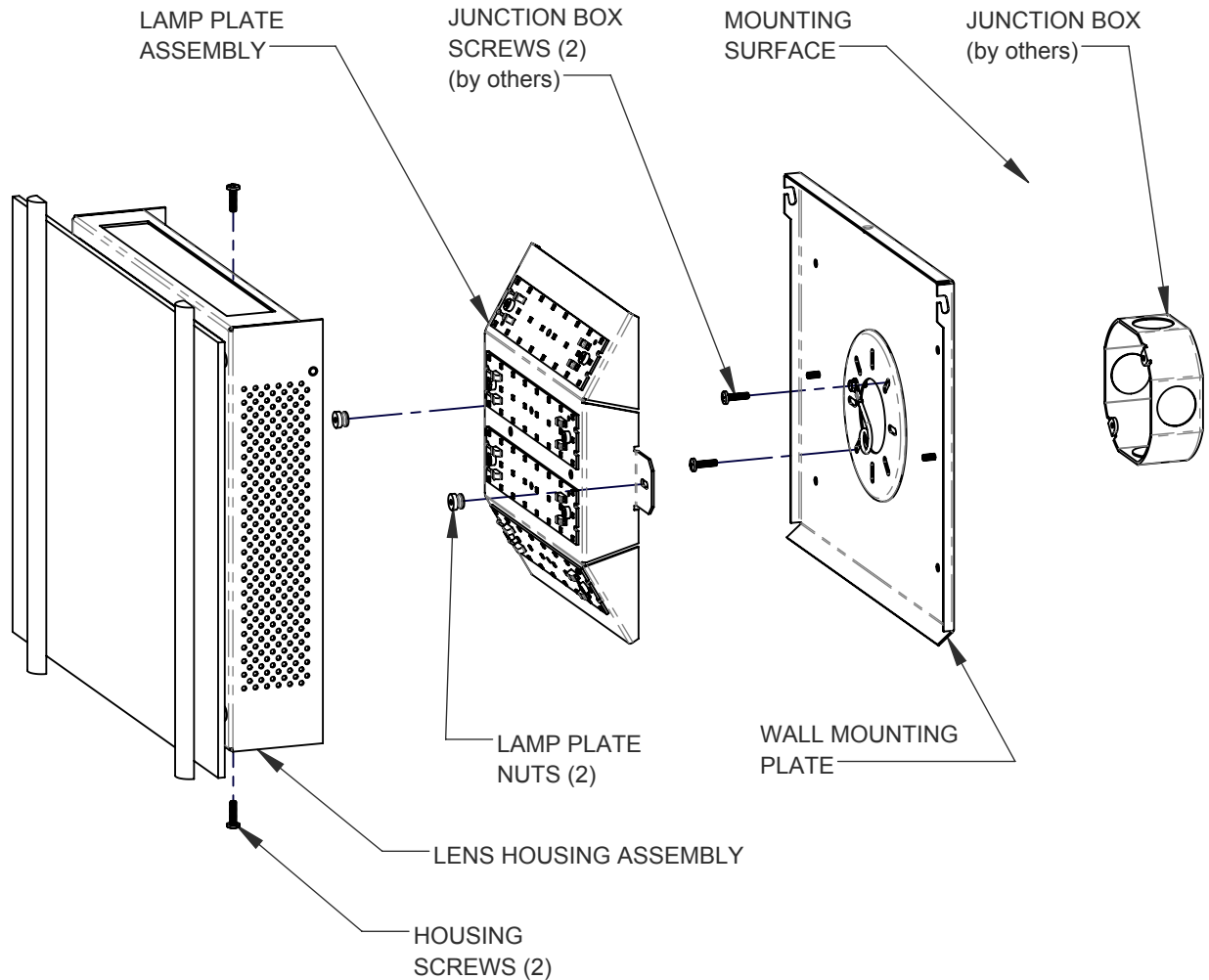
When using electrical equipment, basic safety precautions should always be followed, including the following:

- Read all instructions carefully before installing and save for future use.
- Make sure all connections are in accordance with the National Electrical Code and local regulations.
- To avoid possible electric shock, be sure the power supply is turned off before servicing or installing the fixture.
- Service should be performed by qualified personnel.
- These instructions may not cover all details or variations. If additional information is needed, please contact Visa Lighting.

INSTALLATION INSTRUCTIONS

Model: **CB6354**
Fixture Family: **SASH**
Document Description: Installation Instructions for
SASH Luminaires

VISA LIGHTING
AN OLDENBURG GROUP COMPANY
1717 West Civic Drive Milwaukee, WI 53209
414-354-6600
Design Modification Rights Reserved
© Visa Lighting



1. Remove housing screws from lens housing assembly.
2. Remove lens housing assembly and set aside.
3. Remove lamp plate assembly from wall mounting plate by removing the lamp plate nuts.
4. Install the wall mounting plate to junction box and secure with junction box screws (by others).
5. Make all wire connections per national and local electrical codes.
6. Reinstall lamp plate assembly and secure with the lamp plate nuts.
7. Reinstall lens housing assembly with housing screws.

When using electrical equipment, basic safety precautions should always be followed, including the following:

- Read all instructions carefully before installing and save for future use.
- Make sure all connections are in accordance with the National Electrical Code and local regulations.
- To avoid possible electric shock, be sure the power supply is turned off before servicing or installing the fixture.
- Service should be performed by qualified personnel.
- These instructions may not cover all details or variations. If additional information is needed, please contact Visa Lighting.

Drawing: 762286XX

Rev: A

Sheet: 2 of 3

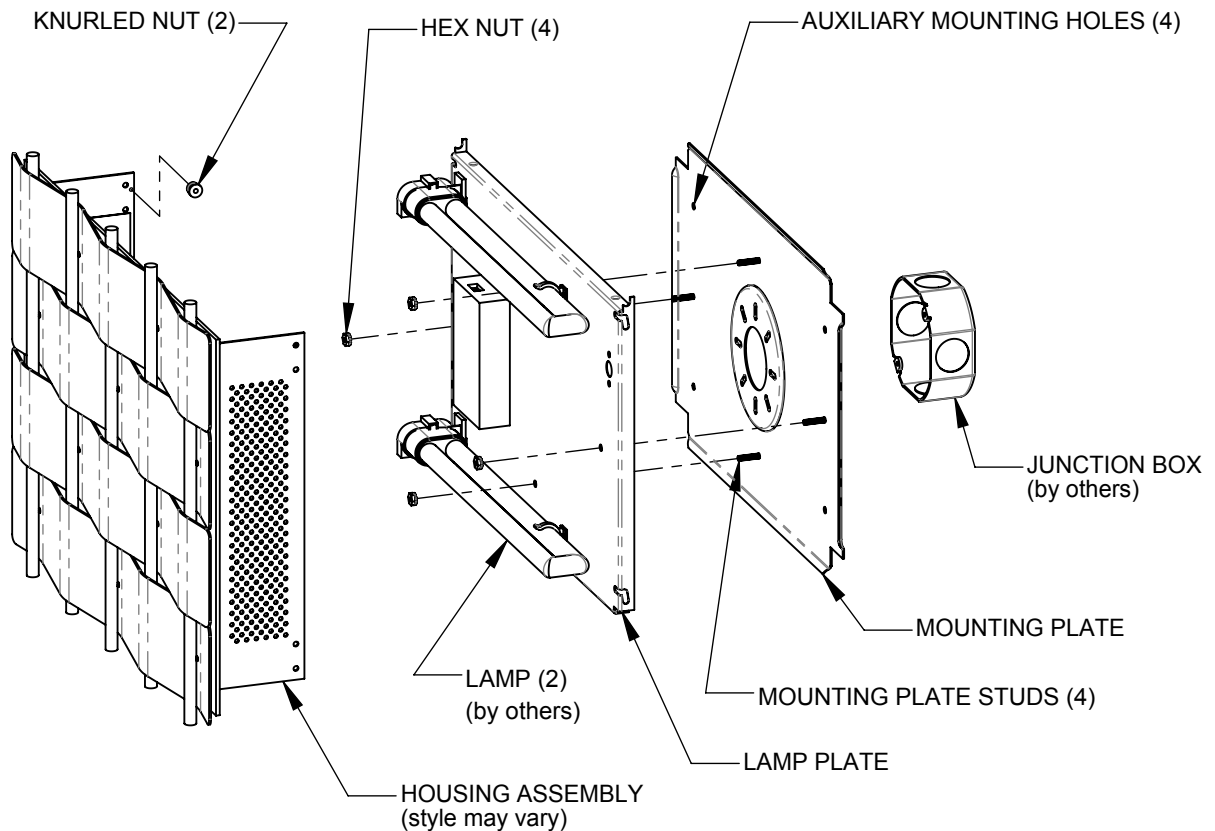
Eng: DMM

Date Drawn: 9/21/17

INSTALLATION INSTRUCTIONS

Model: **CB6354**
Fixture Family: **SASH**
Document Description: Installation Instructions for
SASH Luminaires

VISA LIGHTING
AN OLDENBURG GROUP COMPANY
1717 West Civic Drive Milwaukee, WI 53209
414-354-6600
Design Modification Rights Reserved
© Visa Lighting



1. Level and secure the mounting plate to the junction box (by others), with the junction box screws (by others). Also provided are (4) auxiliary fasteners with anchors. Use these in the event the wall is uneven and the fixture does not mount flush.
2. Make all electrical connections per local and national codes.
3. Secure the lamp plate assembly to the mounting plate with (4) nuts provided.
4. Align the threaded studs on the housing assembly into the slots on the mounting plate. Secure with the knurled nuts provided.
5. Install lamps (by others), and test.

When using electrical equipment, basic safety precautions should always be followed, including the following:

- Read all instructions carefully before installing and save for future use.
- Make sure all connections are in accordance with the National Electrical Code and local regulations.
- To avoid possible electric shock, be sure the power supply is turned off before servicing or installing the fixture.
- Service should be performed by qualified personnel.
- These instructions may not cover all details or variations. If additional information is needed, please contact Visa Lighting.

Drawing: 762286XX

Rev: A

Sheet: 3 of 3

Eng: DMM

Date Drawn: 9/21/17