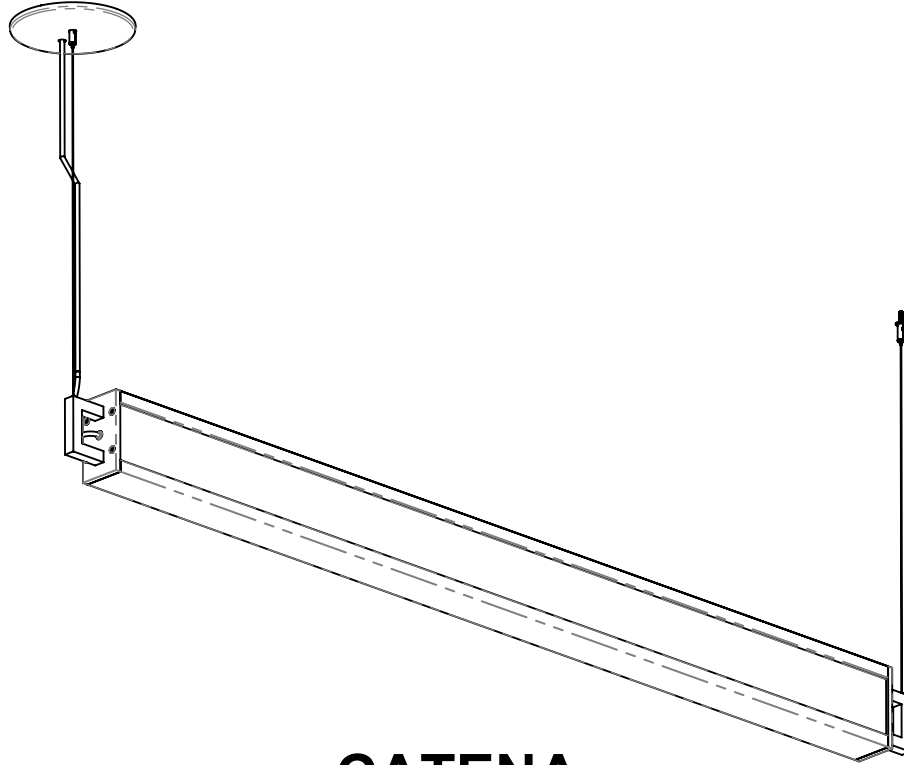


# INSTALLATION INSTRUCTIONS

Model: CP2204, 06, 08 KT2202, 04, 06, 08, 12, 14, 16, 18  
Fixture Family: CATENA  
Document Description: Installation Instructions for  
CATENA Series Luminaires

**VISA LIGHTING**  
AN OLDENBURG GROUP COMPANY  
1717 West Civic Drive Milwaukee, WI 53209  
414-354-6600  
Design Modification Rights Reserved  
© Visa Lighting 2018



## CATENA

**CP2204 CP2206 CP2208**

**KT2202 KT2204 KT2206**

**KT2208 KT2212 KT2214**

**KT2216 KT2218**

**SHEET 2: MOUNTING INSTRUCTIONS**

**SHEET 3: RMD WIRING**

Drawing: 762297XX

Rev: A

Sheet: 1 of 4

Eng: TPK

Date Drawn: 5/31/18

**!** When using electrical equipment, basic safety precautions should always be followed, including the following:

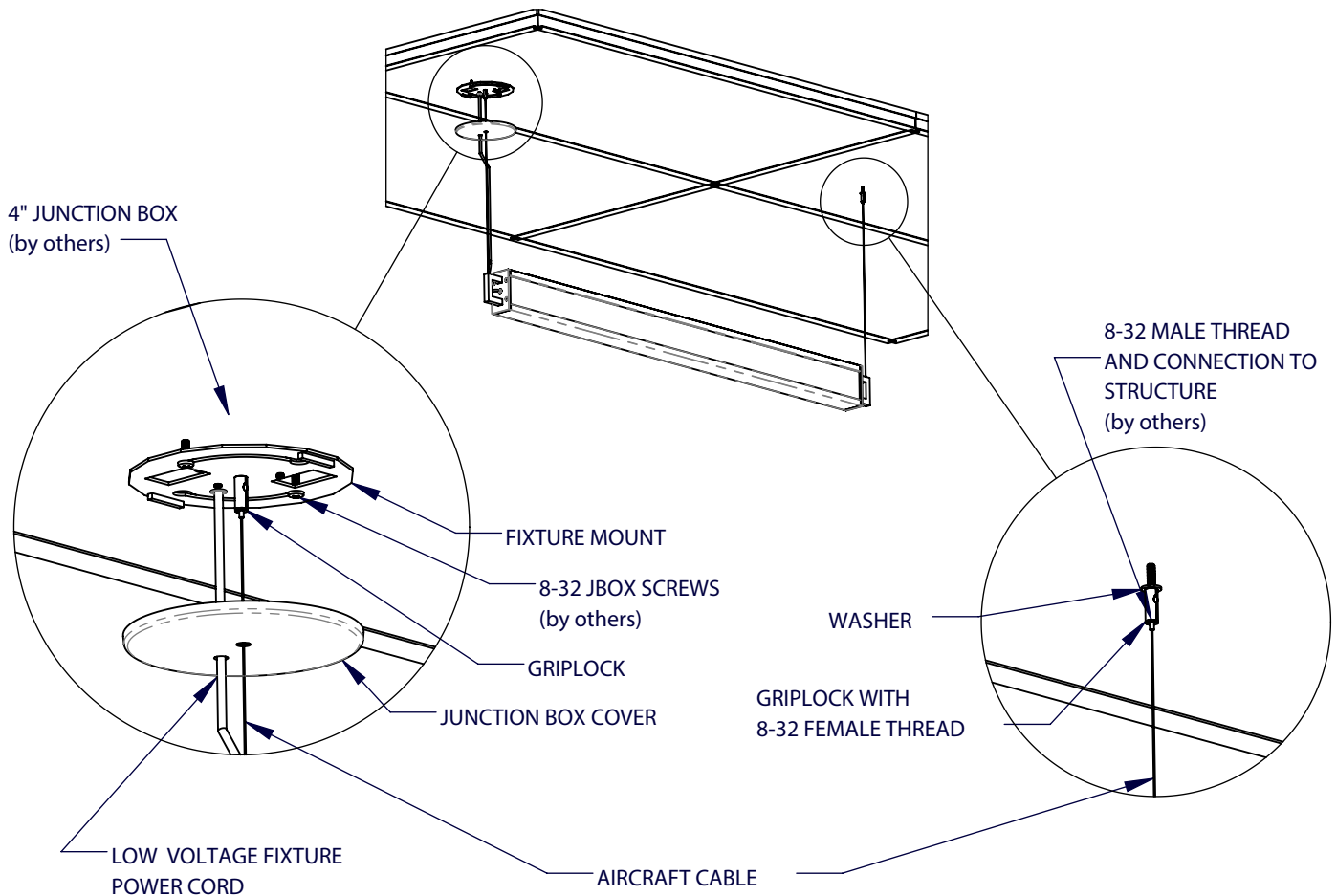
- Read all instructions carefully before installing and save for future use.
- Make sure all connections are in accordance with the National Electrical Code and local regulations.
- To avoid possible electric shock, be sure the power supply is turned off before servicing or installing the fixture.
- Service should be performed by qualified personnel.

• These instructions may not cover all details or variations. If additional information is needed, please contact Visa Lighting.

# INSTALLATION INSTRUCTIONS

Model: CP2204, 06, 08 KT2202, 04, 06, 08, 12, 14, 16, 18  
Fixture Family: CATENA  
Document Description: Installation Instructions for  
CATENA Series Luminaires

**VISA LIGHTING**  
AN OLDENBURG GROUP COMPANY  
1717 West Civic Drive Milwaukee, WI 53209  
414-354-6600  
Design Modification Rights Reserved  
© Visa Lighting



## INSTALLATION:

1. Run low voltage electrical connections between junction box (by others), and RMB.
2. Attach washer and griplock with 8-32 female thread to structure.
3. Make low voltage connections within junction box.
4. Attach fixture mount to junction box using 8-32 junction box screws (by others).
5. Suspend fixture at desired height by inserting aircraft cable into griplock at both mounting ends.\*\*
6. Adjust low voltage power cord to desired length. Trim or store excess cord within the junction box.
7. Make all electrical connections according to local and national codes.

\*\*Excess aircraft cable can be trimmed back at either end using standard techniques at user's own risk.

When using electrical equipment, basic safety precautions should always be followed, including the following:

- Read all instructions carefully before installing and save for future use.
- Make sure all connections are in accordance with the National Electrical Code and local regulations.
- To avoid possible electric shock, be sure the power supply is turned off before servicing or installing the fixture.
- Service should be performed by qualified personnel.
- These instructions may not cover all details or variations. If additional information is needed, please contact Visa Lighting.

Drawing: 762297XX

Rev: A

Sheet: 2 of 4

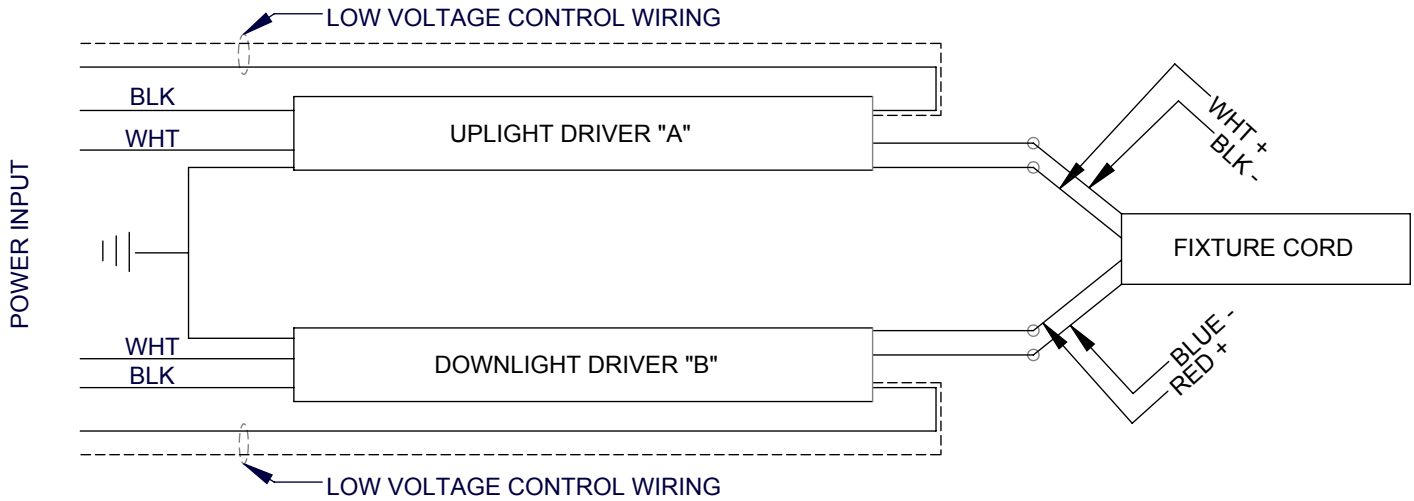
Eng: TPK

Date Drawn: 5/31/18

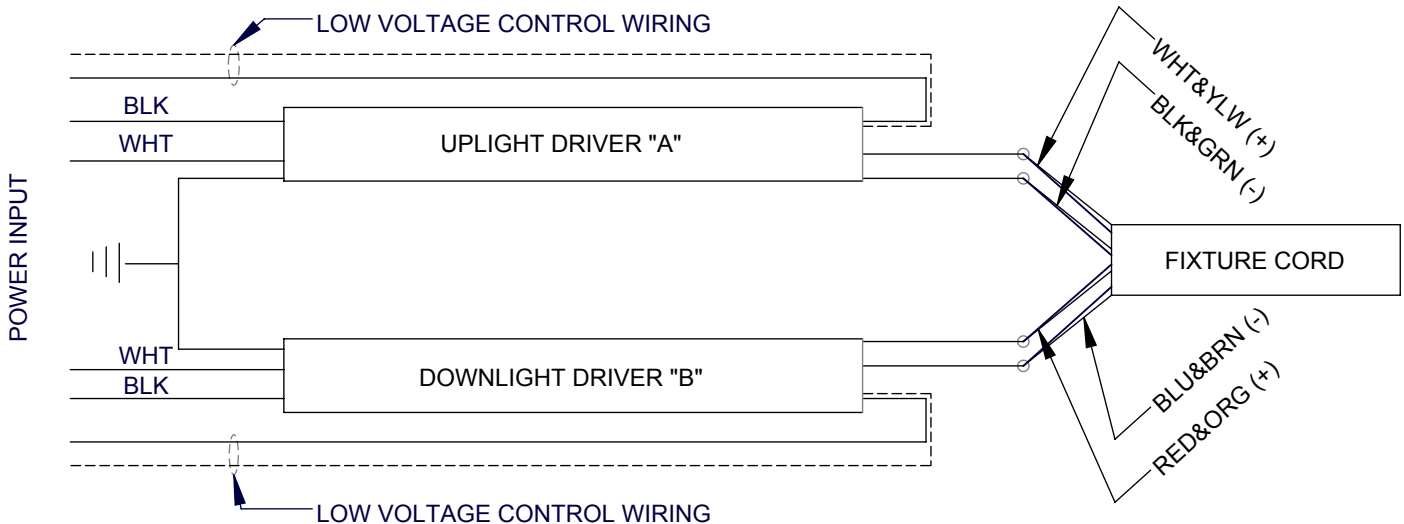
# INSTALLATION INSTRUCTIONS

Model: **CP2204, 06, 08 KT2202, 04, 06, 08, 12, 14, 16, 18**  
 Fixture Family: **CATENA**  
 Document Description: Installation Instructions for  
 CATENA Series Luminaires

## CP MODELS (STD) 4 & 6 FT KT MODELS (STD) 2 TO 4 FT OVERALL LENGTH



## CP MODELS (STD) 8 FT KT MODELS (STD) 6 TO 8 FT OVERALL LENGTH



Drawing: 762297XX

Rev: A

Sheet: 3 of 4

Eng: TPK

Date Drawn: 5/31/18



When using electrical equipment, basic safety precautions should always be followed, including the following:

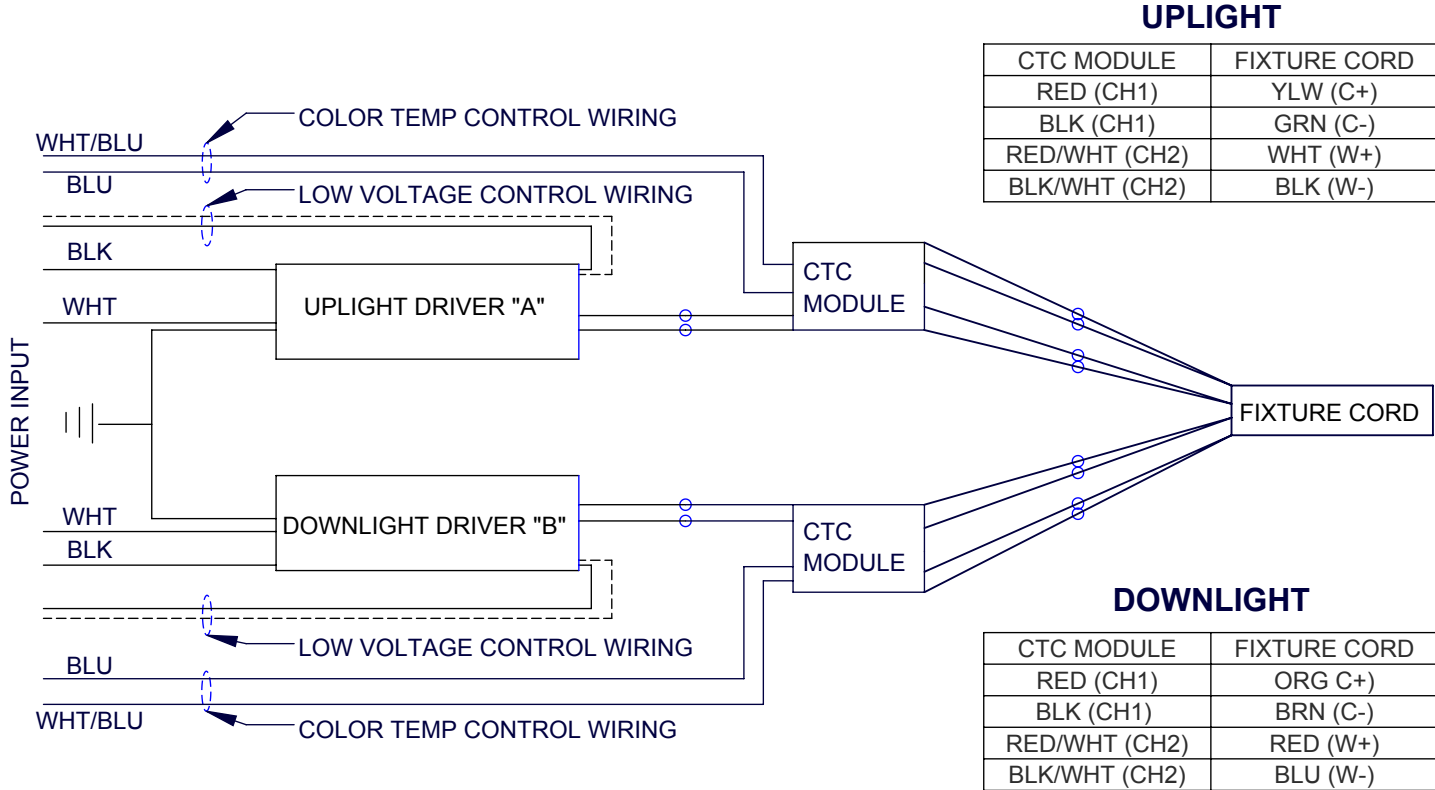
- Read all instructions carefully before installing and save for future use.
- Make sure all connections are in accordance with the National Electrical Code and local regulations.
- To avoid possible electric shock, be sure the power supply is turned off before servicing or installing the fixture.
- Service should be performed by qualified personnel.
- These instructions may not cover all details or variations. If additional information is needed, please contact Visa Lighting.

# INSTALLATION INSTRUCTIONS

Model: **CP2204, 06, 08 KT2202, 04, 06, 08, 12, 14, 16, 18**  
 Fixture Family: **CATENA**  
 Document Description: Installation Instructions for  
 CATENA Series Luminaires

**VISA LIGHTING**  
 AN OLDENBURG GROUP COMPANY  
 1717 West Civic Drive Milwaukee, WI 53209  
 414-354-6600  
 Design Modification Rights Reserved  
 © Visa Lighting

## TUN2 MODELS



Drawing: 762297XX

Rev: A

Sheet: 4 of 4

Eng: TPK

Date Drawn: 5/31/18

- !** When using electrical equipment, basic safety precautions should always be followed, including the following:
- Read all instructions carefully before installing and save for future use.
  - Make sure all connections are in accordance with the National Electrical Code and local regulations.
  - To avoid possible electric shock, be sure the power supply is turned off before servicing or installing the fixture.
  - Service should be performed by qualified personnel.
  - These instructions may not cover all details or variations. If additional information is needed, please contact Visa Lighting.