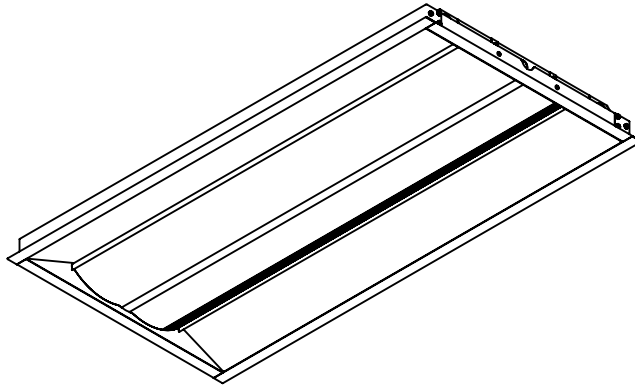


# INSTALLATION INSTRUCTIONS

Model: **CM2094**  
Fixture Family: **JASPER OVERBED**  
Document Description: Installation Instructions for  
JASPER Series Luminaires

 **VISA LIGHTING**  
AN OLDENBURG GROUP COMPANY  
1717 West Civic Drive Milwaukee, WI 53209  
414-354-6600  
Design Modification Rights Reserved  
© Visa Lighting 2016

## JASPER



### CM2094 (2x4)

PAGE 2: 2x4 T-GRID INSTALLATION

PAGE 3: 2x4 SRI SHEETROCK INSTALLATION

PAGE 4: INSTALLATION OF THE EARTHQUAKE CLIPS

Drawing: 762335XX

Rev: A

Sheet: 1 of 4

Eng: CGA

Date Drawn: 10/18/19

 When using electrical equipment, basic safety precautions should always be followed, including the following:

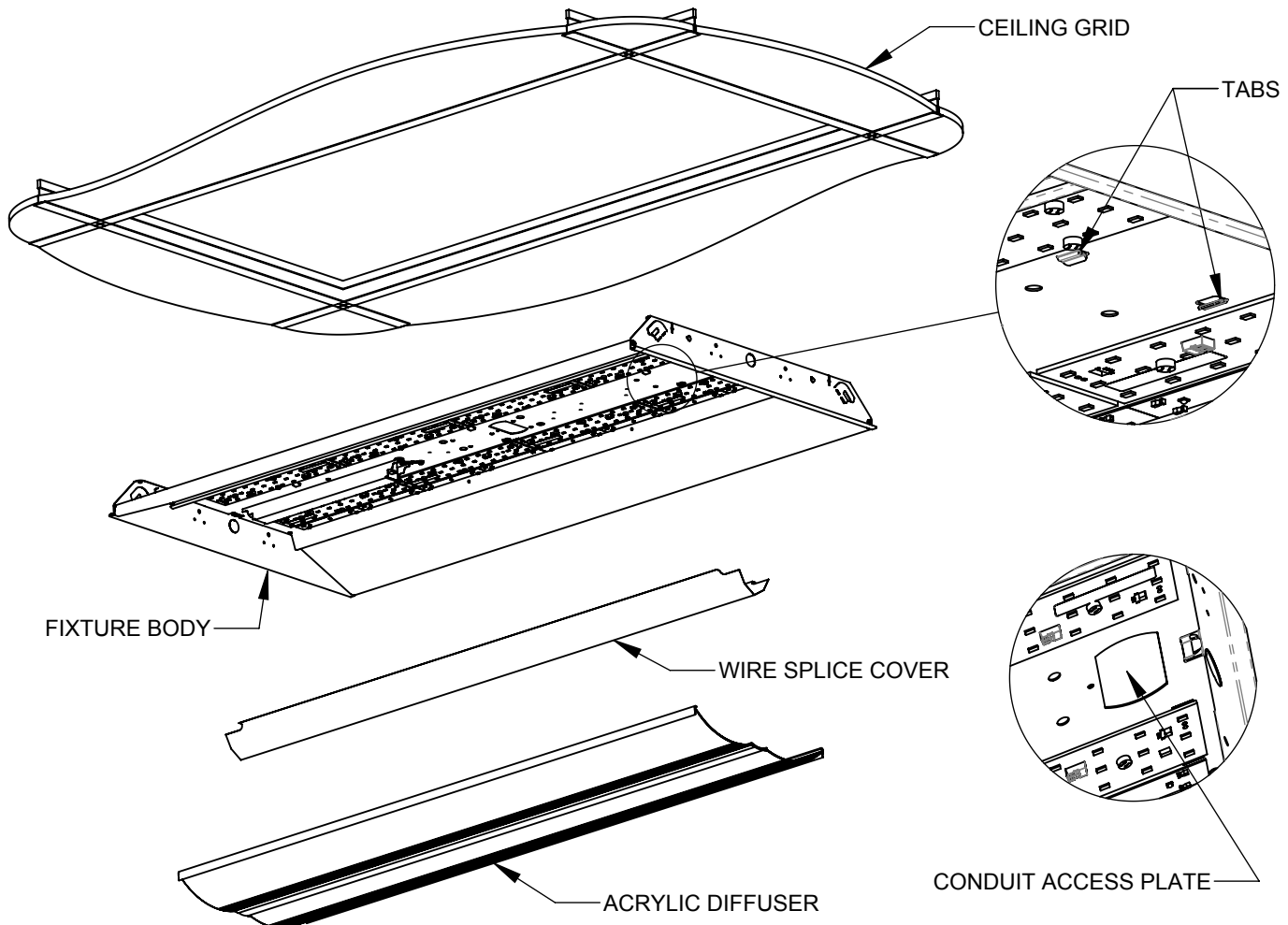
- Read all instructions carefully before installing and save for future use.
- Make sure all connections are in accordance with the National Electrical Code and local regulations.
- To avoid possible electric shock, be sure the power supply is turned off before servicing or installing the fixture.
- Service should be performed by qualified personnel.
- These instructions may not cover all details or variations. If additional information is needed, please contact Visa Lighting.

# INSTALLATION INSTRUCTIONS

Model: **CM2094**  
Fixture Family: **JASPER OVERBED**  
Document Description: Installation Instructions for  
JASPER Series Luminaires

**VISA LIGHTING**  
AN OLDENBURG GROUP COMPANY  
1717 West Civic Drive Milwaukee, WI 53209  
414-354-6600  
Design Modification Rights Reserved  
© Visa Lighting

## 2x4 CEILING GRID INSTALLATION



1. Remove the diffuser from fixture body by applying pressure to the center of diffuser and pulling the tabs on one side of the diffuser and in a downward direction. This will release the diffuser from the fixture.
2. Remove center wire splice cover by lightly squeezing until the flanges can be release from the tabs on the fixture body.
3. Remove conduit access plate from fixture body and secure it to the flexible conduit in the ceiling.
4. Install the fixture in the T-Bar ceiling grid system by lifting the fixture through the opening and lowering it in place onto the grid system.
5. Follow local codes for securing fixture as needed to structure above.
6. Reattach conduit access plate with conduit to fixture body and make electrical connections in accordance to all local and national codes.
7. Taking caution not to pinch any wires, reinstall center wire splice cover to fixture body.
8. Reinstall lens to fixture body.

When using electrical equipment, basic safety precautions should always be followed, including the following:

- Read all instructions carefully before installing and save for future use.
- Make sure all connections are in accordance with the National Electrical Code and local regulations.
- To avoid possible electric shock, be sure the power supply is turned off before servicing or installing the fixture.
- Service should be performed by qualified personnel.
- These instructions may not cover all details or variations. If additional information is needed, please contact Visa Lighting.

Drawing: 762335XX

Rev: A

Sheet: 2 of 4

Eng: CGA

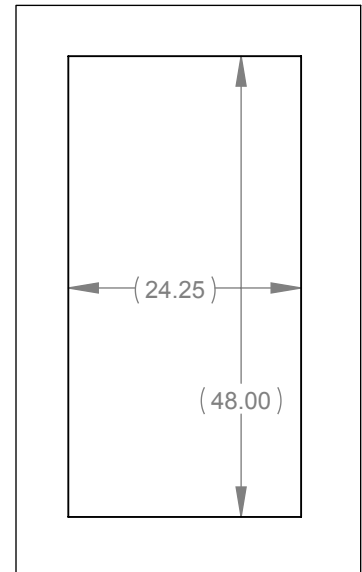
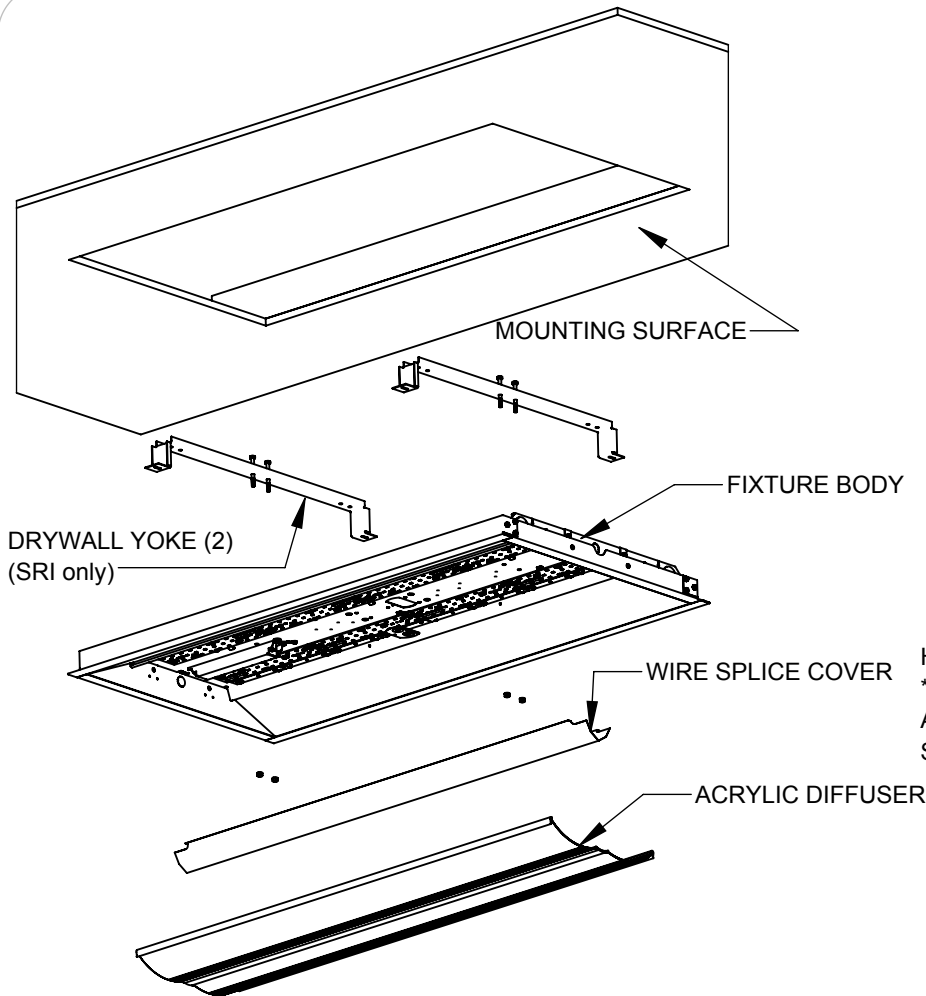
Date Drawn: 10/18/19

# INSTALLATION INSTRUCTIONS

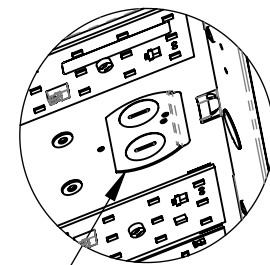
Model: **CM2094**  
 Fixture Family: **JASPER OVERBED**  
 Document Description: Installation Instructions for  
 JASPER Series Luminaires

**VISA LIGHTING**  
 AN OLDENBURG GROUP COMPANY  
 1717 West Civic Drive Milwaukee, WI 53209  
 414-354-6600  
 Design Modification Rights Reserved  
 © Visa Lighting

## 2x4 SHEETROCK INSTALLATION



HOLE SIZE FOR CUTOUT IN SHEETROCK  
 \*\*\* CONTRACTOR TO SUPPLY BLOCKING  
 AT PERIMETER OF HOLE AS REQUIRED TO  
 SUPPORT FIXTURE



CONDUIT ACCESS PLATE

1. Remove the diffuser from fixture body by applying pressure to the center of diffuser and pulling the tabs on one side of the diffuser and in a downward direction. This will release the diffuser from the fixture.
2. Remove center wire splice cover by lightly squeezing until the flanges can be release from the tabs on the fixture body.
3. Remove conduit access plate from fixture body and secure it to the flexible conduit in the ceiling.
4. Locate and secure (2) drywall yokes to blocking (supplied by others). **CAUTION: drywall yokes will need to be positioned as to mate with holes on the top of the fixture.**
5. Install the fixture with the attached sheet rock installation frame in the cut out square opening in sheet rock ceiling. (see hole size above). Line up the (4) ¼-20 bolts with the (4) holes in the center of the fixture. Tighten fixture to bolts with provided (4) ¼-20 nuts until fixture it secure and snug in hole.
6. Follow local codes for securing fixture as needed to structure above.
7. Reattach conduit access plate with conduit to fixture body and make electrical connections in accordance to all local and national codes.
8. Taking caution not to pinch any wires, reinstall center wire splice cover to fixture body.
9. Reinstall lens to fixture body.

Drawing: 762335XX

Rev: A

Sheet: 3 of 4

Eng: CGA

Date Drawn: 10/18/19



When using electrical equipment, basic safety precautions should always be followed, including the following:

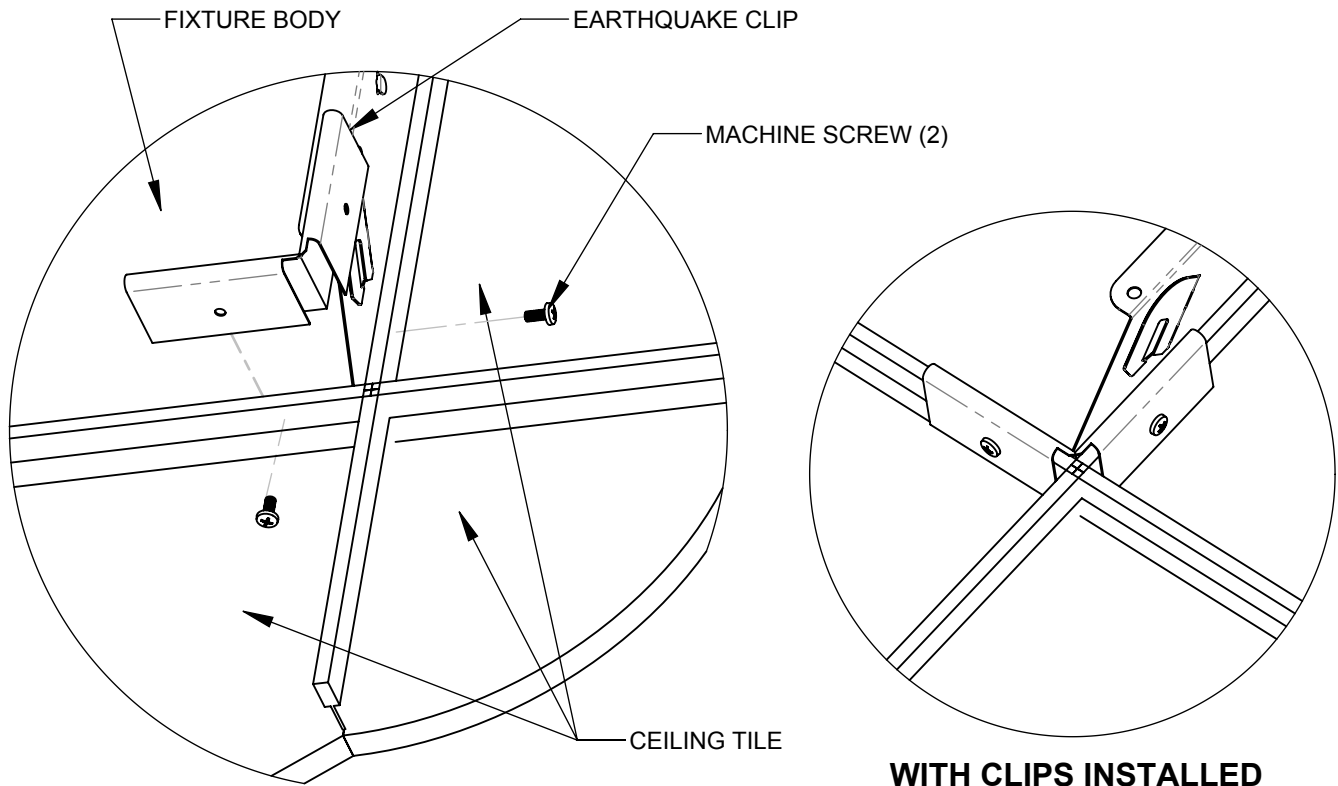
- Read all instructions carefully before installing and save for future use.
- Make sure all connections are in accordance with the National Electrical Code and local regulations.
- To avoid possible electric shock, be sure the power supply is turned off before servicing or installing the fixture
- Service should be performed by qualified personnel.
- These instructions may not cover all details or variations. If additional information is needed, please contact Visa Lighting.

# INSTALLATION INSTRUCTIONS

Model: **CM2094**  
Fixture Family: **JASPER OVERBED**  
Document Description: Installation Instructions for  
JASPER Series Luminaires

**VISA LIGHTING**  
AN OLDENBURG GROUP COMPANY  
1717 West Civic Drive Milwaukee, WI 53209  
414-354-6600  
Design Modification Rights Reserved  
© Visa Lighting

## INSTALLATION OF EARTHQUAKE CLIPS



## INSTALLATION OF CLIPS

NOTE: THERE IS NO NEED TO REMOVE THE FIXTURE TO INSTALL THE EARTHQUAKE CLIPS

1. ONCE FIXTURE HAS BEEN INSTALLED INTO THE CEILING GRID, REMOVE THE CEILING TILES THAT SURROUND THE FIXTURE.
2. GENTLY BEND THE CLIP TO FORM A 90° ANGLE.
3. SLIDE CLIP OVER T-GRID IN OPPOSITE CORNERS OF THE FIXTURE.
4. INSTALL PROVIDED MACHINE SCREWS INTO THE T-GRID.
5. REINSTALL CEILING TILES.

When using electrical equipment, basic safety precautions should always be followed, including the following:

- Read all instructions carefully before installing and save for future use.
- Make sure all connections are in accordance with the National Electrical Code and local regulations.
- To avoid possible electric shock, be sure the power supply is turned off before servicing or installing the fixture.
- Service should be performed by qualified personnel.
- These instructions may not cover all details or variations. If additional information is needed, please contact Visa Lighting.