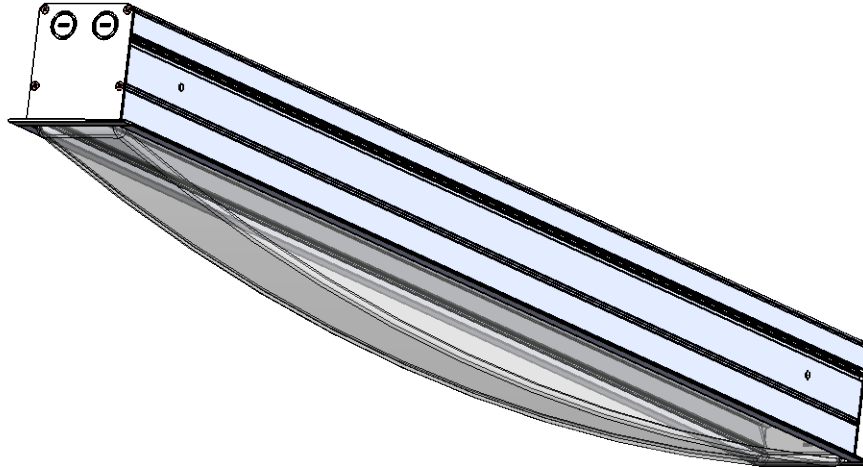


# INSTALLATION INSTRUCTIONS

Model: **CM1911 / CB1911**  
Fixture Family:  
Document Description: **INSTALLATION INSTRUCTIONS FOR  
4FT UNITY SLOT FIXTURES**

 **VISA LIGHTING**  
AN OLDENBURG GROUP COMPANY  
1717 West Civic Drive Milwaukee, WI 53209  
414-354-6600  
Design Modification Rights Reserved  
© Visa Lighting 2016



## UNITY SLOT FIXTURE

**CM1911 / CB1911**

**PAGE 2  
RELAMPING INSTRUCTIONS**

**PAGE 3  
T-GRID INSTALLATION**

**PAGE 4  
DRYWALL CUTOUT DIMENSIONS**

**PAGES 5 & 6  
DRYWALL INSTALLATION**

Drawing: **762342XX**

Rev: **A**

Sheet: **1 of 6**

Eng: **DEF**

Date Drawn: **2/17/20**

 When using electrical equipment, basic safety precautions should always be followed, including the following:

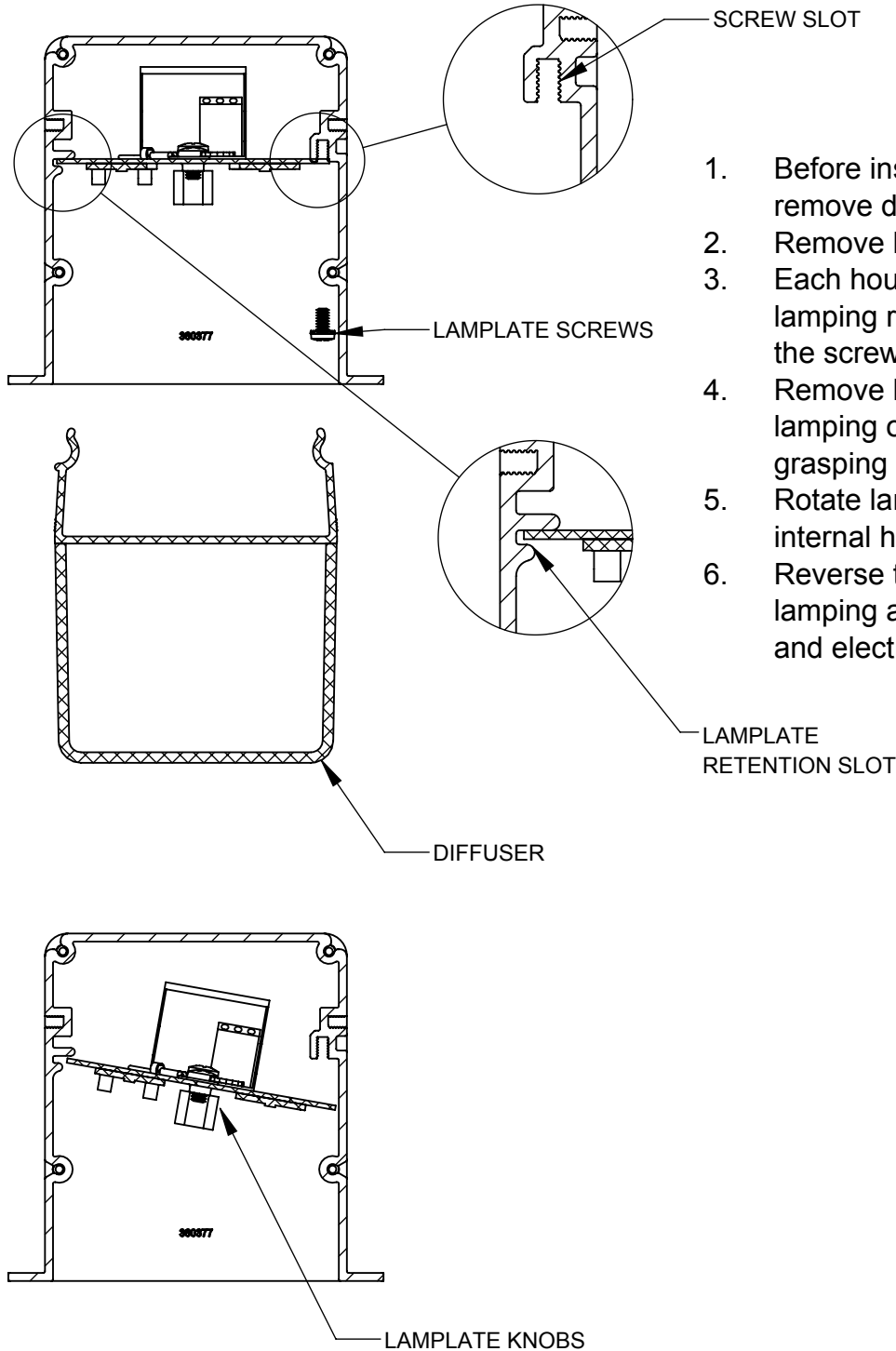
- Read all instructions carefully before installing and save for future use.
- Make sure all connections are in accordance with the National Electrical Code and local regulations.
- To avoid possible electric shock, be sure the power supply is turned off before servicing or installing the fixture.
- Service should be performed by qualified personnel.
- These instructions may not cover all details or variations. If additional information is needed, please contact Visa Lighting.

# INSTALLATION INSTRUCTIONS

Model: **CM1911 / CB1911**  
Fixture Family:  
Document Description: **INSTALLATION INSTRUCTIONS FOR  
4FT UNITY SLOT FIXTURES**

**VISA LIGHTING**  
AN OLDENBURG GROUP COMPANY  
1717 West Civic Drive Milwaukee, WI 53209  
414-354-6600  
Design Modification Rights Reserved  
© Visa Lighting

## LAMPING REMOVAL/INSTALLATION



1. Before installing the housing, remove diffuser.
2. Remove lamplate screws
3. Each housing has a slot that the lamping rests in and is fastened by the screw slot on the other side.
4. Remove lamping screws and tilt lamping out of the lamping slot by grasping lamping "handles".
5. Rotate lamping to allow it to pass internal housing features.
6. Reverse the process to reinstall lamping after housing installation and electrical connections.

Drawing: 762342XX

Rev: A

Sheet: 2 of 6

Eng: DEF

Date Drawn: 2/17/20

When using electrical equipment, basic safety precautions should always be followed, including the following:

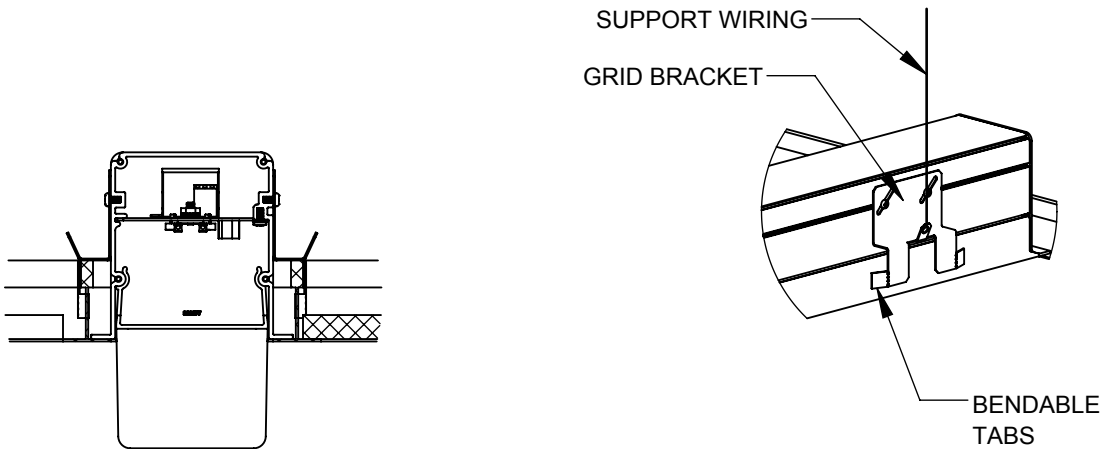
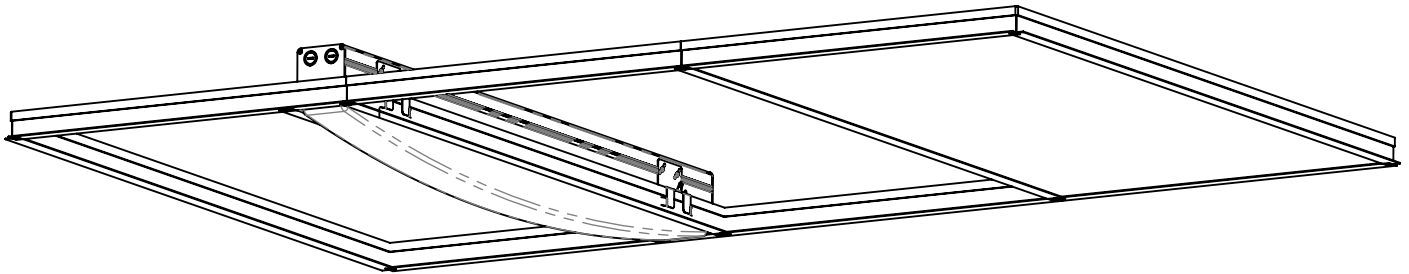
- Read all instructions carefully before installing and save for future use.
- Make sure all connections are in accordance with the National Electrical Code and local regulations.
- To avoid possible electric shock, be sure the power supply is turned off before servicing or installing the fixture.
- Service should be performed by qualified personnel.
- These instructions may not cover all details or variations. If additional information is needed, please contact Visa Lighting.

# INSTALLATION INSTRUCTIONS

Model: **CM1911 / CB1911**  
Fixture Family:  
Document Description: INSTALLATION INSTRUCTIONS FOR  
4FT UNITY SLOT FIXTURES

**VISA LIGHTING**  
AN OLDENBURG GROUP COMPANY  
1717 West Civic Drive Milwaukee, WI 53209  
414-354-6600  
Design Modification Rights Reserved  
© Visa Lighting

## T-GRID INSTALLATION



1. T-GRID BARS ARE BASE ON STANDARD 24 X 48 INCH SPACING
2. AFTER GRID INSTALLATION USE SUPPORT BRACKETS PROVIDED TO SECURE FIXTURE TO T-GRID BARS
3. BEND TABS ON BRACKETS UNTIL CONTACT WITH BAR IS SECURE
4. ATTACH SUPPORT WIRING (NOT PROVIDED) FROM FIXTURE TO SUPPORT STRUCTURE

When using electrical equipment, basic safety precautions should always be followed, including the following:

- Read all instructions carefully before installing and save for future use.
- Make sure all connections are in accordance with the National Electrical Code and local regulations.
- To avoid possible electric shock, be sure the power supply is turned off before servicing or installing the fixture
- Service should be performed by qualified personnel.
- These instructions may not cover all details or variations. If additional information is needed, please contact Visa Lighting.

Drawing: 762342XX

Rev: A

Sheet: 3 of 6

Eng: DEF

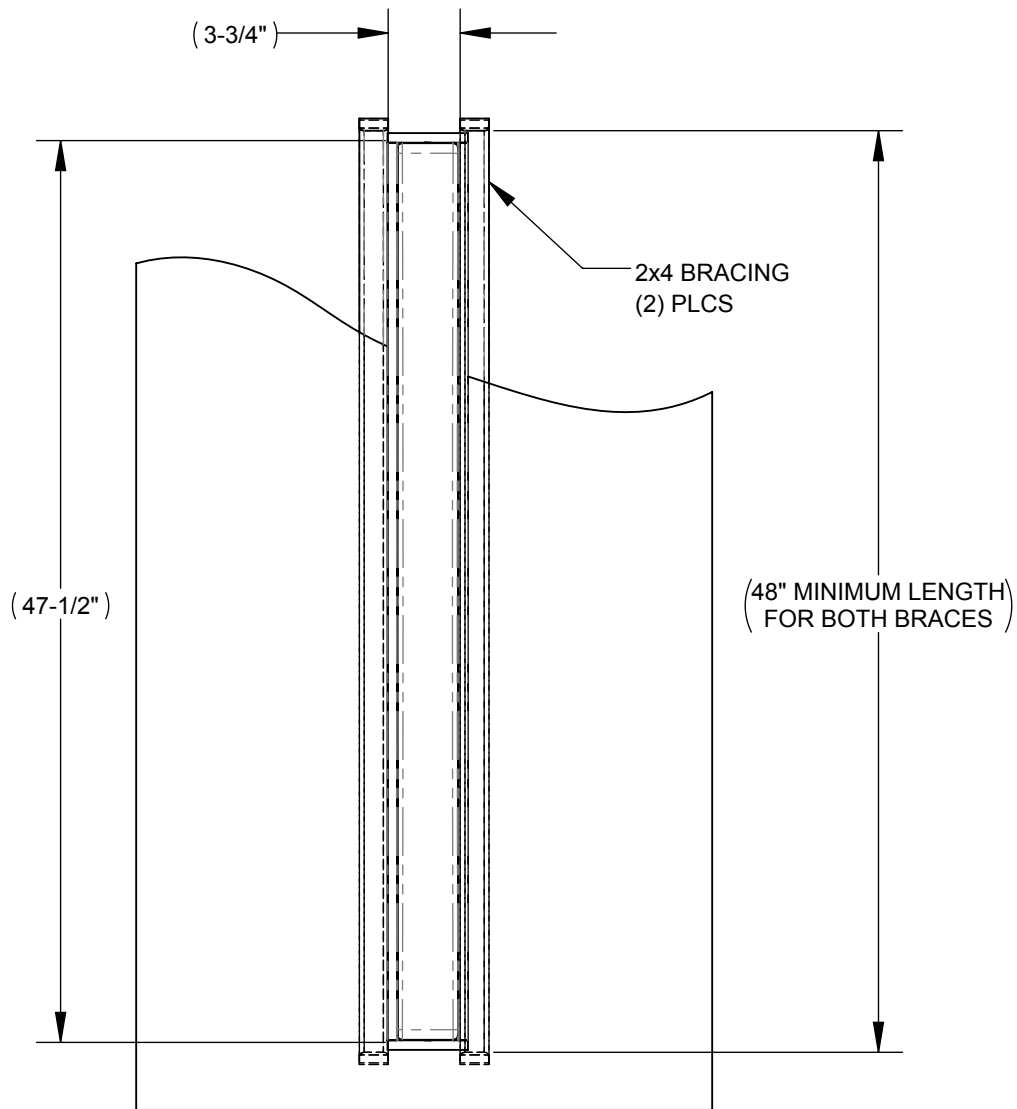
Date Drawn: 2/17/20

# INSTALLATION INSTRUCTIONS

Model: **CM1911 / CB1911**  
Fixture Family:  
Document Description: **INSTALLATION INSTRUCTIONS FOR  
4FT UNITY SLOT FIXTURES**

**VISA LIGHTING**  
AN OLDENBURG GROUP COMPANY  
1717 West Civic Drive Milwaukee, WI 53209  
414-354-6600  
Design Modification Rights Reserved  
© Visa Lighting

## DRYWALL INSTALLATION



CUTOUT DIMENSIONS FOR FIXTURE IN DRYWALL

\*LOOKING UP\*

CUTOUT FOR FIXTURE MUST EXACTLY MATCH THE DIMENSIONS SHOWN  
IN ORDER FOR THE FIXTURE TO MOUNT PROPERLY IN THE CEILING

Drawing: 762342XX

Rev: A

Sheet: 4 of 6

Eng: DEF

Date Drawn: 2/17/20

When using electrical equipment, basic safety precautions should always be followed, including the following:

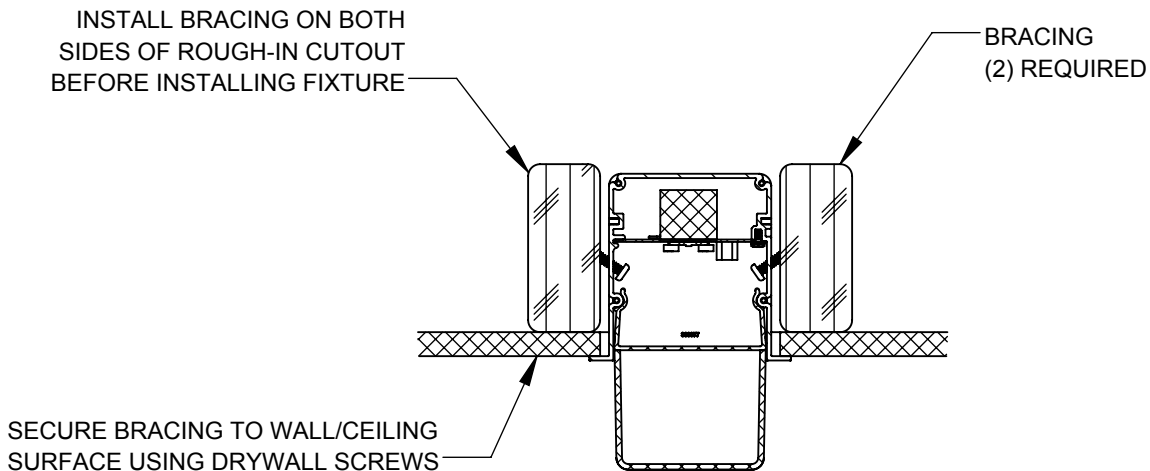
- Read all instructions carefully before installing and save for future use.
- Make sure all connections are in accordance with the National Electrical Code and local regulations.
- To avoid possible electric shock, be sure the power supply is turned off before servicing or installing the fixture.
- Service should be performed by qualified personnel.
- These instructions may not cover all details or variations. If additional information is needed, please contact Visa Lighting.

# INSTALLATION INSTRUCTIONS

Model: **CM1911 / CB1911**  
Fixture Family:  
Document Description: INSTALLATION INSTRUCTIONS FOR  
4FT UNITY SLOT FIXTURES

**VISA LIGHTING**  
AN OLDENBURG GROUP COMPANY  
1717 West Civic Drive Milwaukee, WI 53209  
414-354-6600  
Design Modification Rights Reserved  
© Visa Lighting

## DRYWALL INSTALLATION (CONTINUED)



1. After cutting the proper size holes (see page 5) in the drywall, install the bracing.
2. Refer to Page 4 for size and positioning of the bracing.
3. Once bracing is installed, secure housing with drywall screws through the mounting surface.

**!** When using electrical equipment, basic safety precautions should always be followed, including the following:

- Read all instructions carefully before installing and save for future use.
- Make sure all connections are in accordance with the National Electrical Code and local regulations.
- To avoid possible electric shock, be sure the power supply is turned off before servicing or installing the fixture.
- Service should be performed by qualified personnel.
- These instructions may not cover all details or variations. If additional information is needed, please contact Visa Lighting.

Drawing: 762342XX

Rev: A

Sheet: 5 of 6

Eng: DEF

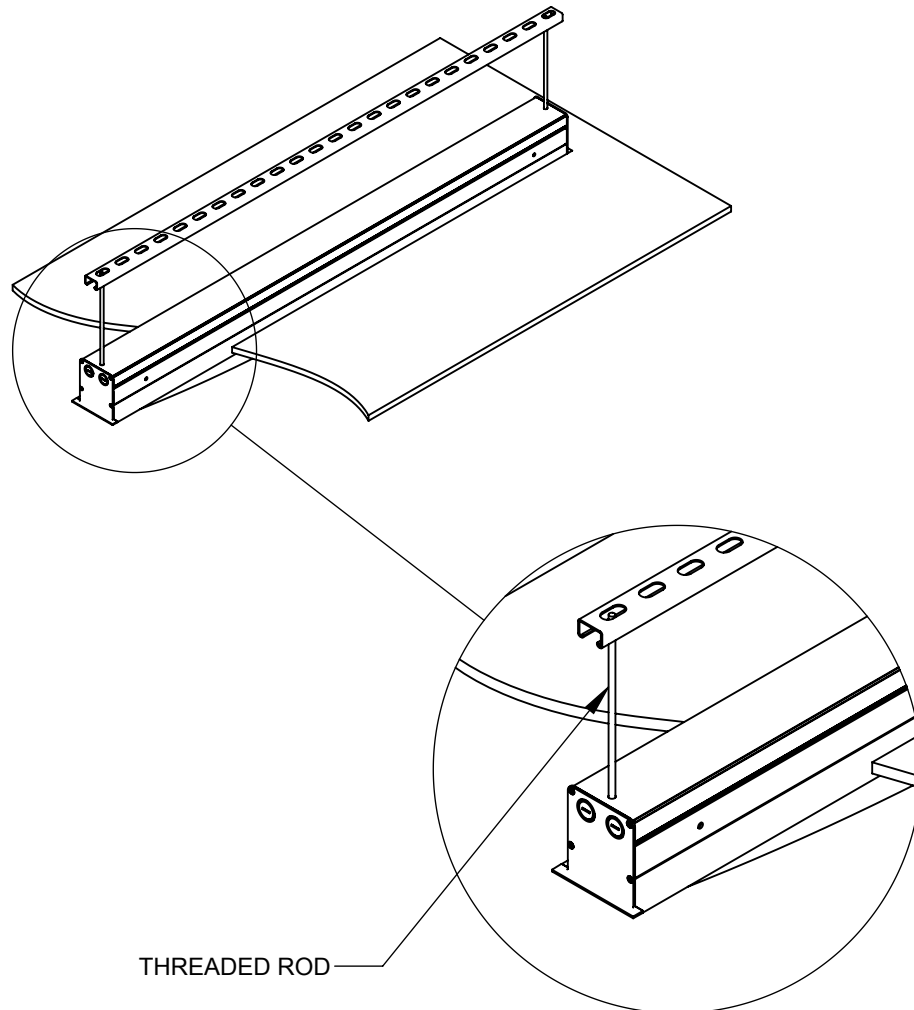
Date Drawn: 2/17/20

# INSTALLATION INSTRUCTIONS

Model: **CM1911 / CB1911**  
Fixture Family:  
Document Description: INSTALLATION INSTRUCTIONS FOR  
4FT UNITY SLOT FIXTURES

**VISA LIGHTING**  
AN OLDENBURG GROUP COMPANY  
1717 West Civic Drive Milwaukee, WI 53209  
414-354-6600  
Design Modification Rights Reserved  
© Visa Lighting

## DRYWALL INSTALLATION - ADDITIONAL SUPPORT



1. If connection to building structure is required, use holes on top of fixture.
2. Tie into building with 1/4" threaded rod (supplied by others).

**!** When using electrical equipment, basic safety precautions should always be followed, including the following:

- Read all instructions carefully before installing and save for future use.
- Make sure all connections are in accordance with the National Electrical Code and local regulations.
- To avoid possible electric shock, be sure the power supply is turned off before servicing or installing the fixture.
- Service should be performed by qualified personnel.
- These instructions may not cover all details or variations. If additional information is needed, please contact Visa Lighting.

Drawing: 762342XX

Rev: A

Sheet: 6 of 6

Eng: DEF

Date Drawn: 2/17/20