

# INSTALLATION INSTRUCTIONS

Model: **CP6900**  
Fixture Family: **MUSE**  
Document Description: Installation Instructions for  
LED Series Luminaires

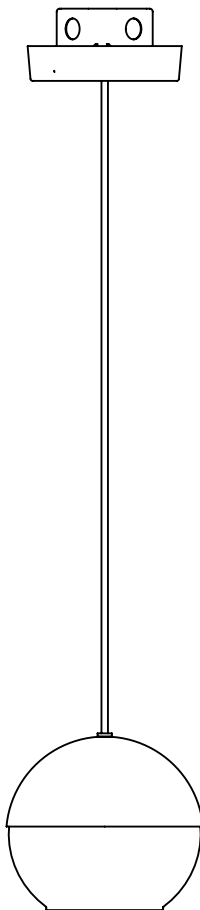
**VISA LIGHTING**  
AN OLDENBURG GROUP COMPANY  
1717 West Civic Drive Milwaukee, WI 53209  
414-354-6600  
Design Modification Rights Reserved  
© Visa Lighting 2016

# MUSE

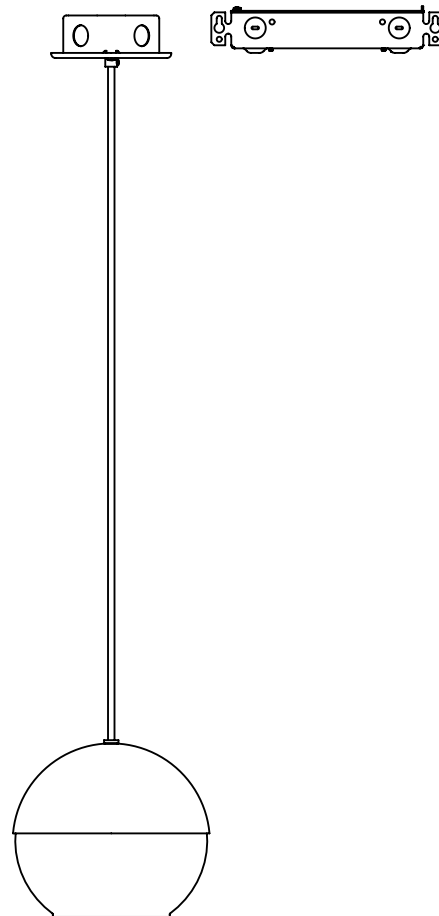
Pendant

## INSTALLATION & ASSEMBLY INSTRUCTIONS

Driver in the canopy



Remote Driver



Drawing: 762350XX

Rev: A

Sheet: 1 of 3

Eng: AJM

Date Drawn: 8/20/20

**!** When using electrical equipment, basic safety precautions should always be followed, including the following:

- Read all instructions carefully before installing and save for future use.
- Make sure all connections are in accordance with the National Electrical Code and local regulations.
- To avoid possible electric shock, be sure the power supply is turned off before servicing or installing the fixture.
- Service should be performed by qualified personnel.
- These instructions may not cover all details or variations. If additional information is needed, please contact Visa Lighting.

# INSTALLATION INSTRUCTIONS

Model: **CP6900**  
 Fixture Family: **MUSE**  
 Document Description: Installation Instructions for  
 LED Series Luminaires

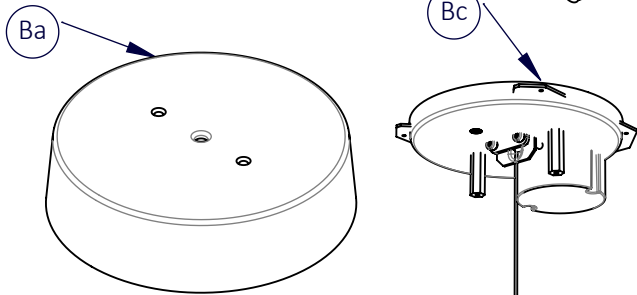
MUSE Pendant

**VISA LIGHTING**  
 AN OLDENBURG GROUP COMPANY  
 1717 West Civic Drive Milwaukee, WI 53209  
 414-354-6600  
 Design Modification Rights Reserved  
 © Visa Lighting 2016

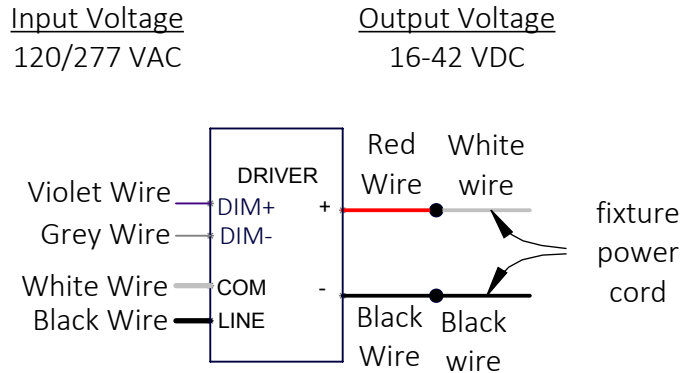
## SDC (Driver in the canopy) Option

### Canopy Parts

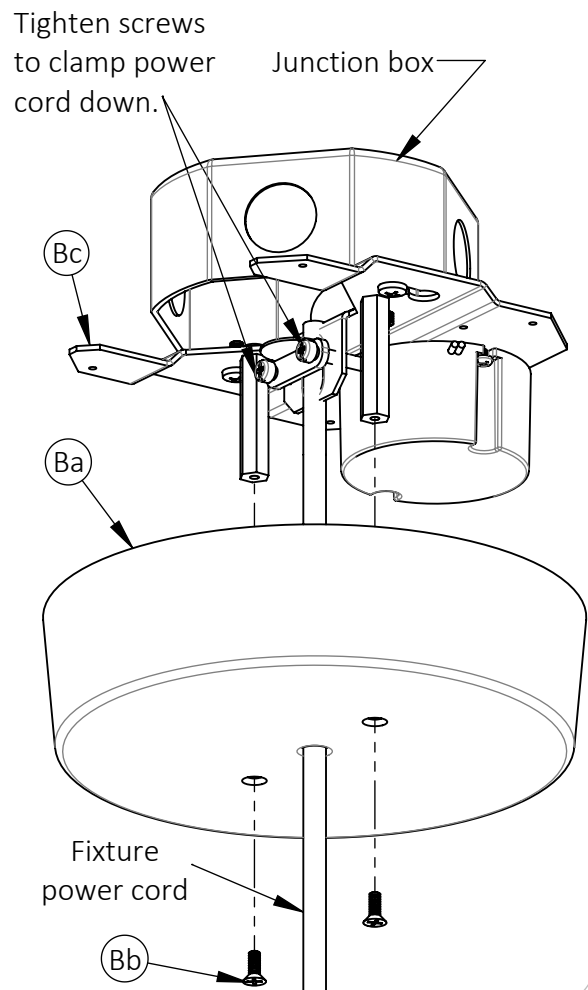
- Ba - Cover
- Bb - Cover Screws
- Bc - Canopy Kit



### Wiring Diagram



1. Remove the Cover Screws (Bb) holding the Spun Cover (Ba). Save for later.
2. Fasten the Canopy Kit (Bc) assembly to junction box (Screws provided by others).
3. Connect the White, Black and Green wires per local and national codes (120/277VAC) and then push them into the junction box. Connect the Violet/Grey 0-10V dimming wires.
4. Pull the fixture power cord through the center hole in the cover (Ba) and through the center clamp in the canopy kit (Bc). Tighten screws on clamp to hold power cord down and support the weight of the fixture.
5. Connect the driver wires to the stem wires. Red to White, Black to Black.
6. Lift Spun Cover (Ba) in place and reinstall the screws (Bb) that were removed in step 1.



Drawing: 762350XX

Rev: A

Sheet: 2 of 3

Eng: AJM

Date Drawn: 8/20/20

**!** When using electrical equipment, basic safety precautions should always be followed, including the following:

- Read all instructions carefully before installing and save for future use.
- Make sure all connections are in accordance with the National Electrical Code and local regulations.
- To avoid possible electric shock, be sure the power supply is turned off before servicing or installing the fixture.
- Service should be performed by qualified personnel.
- These instructions may not cover all details or variations. If additional information is needed, please contact Visa Lighting.

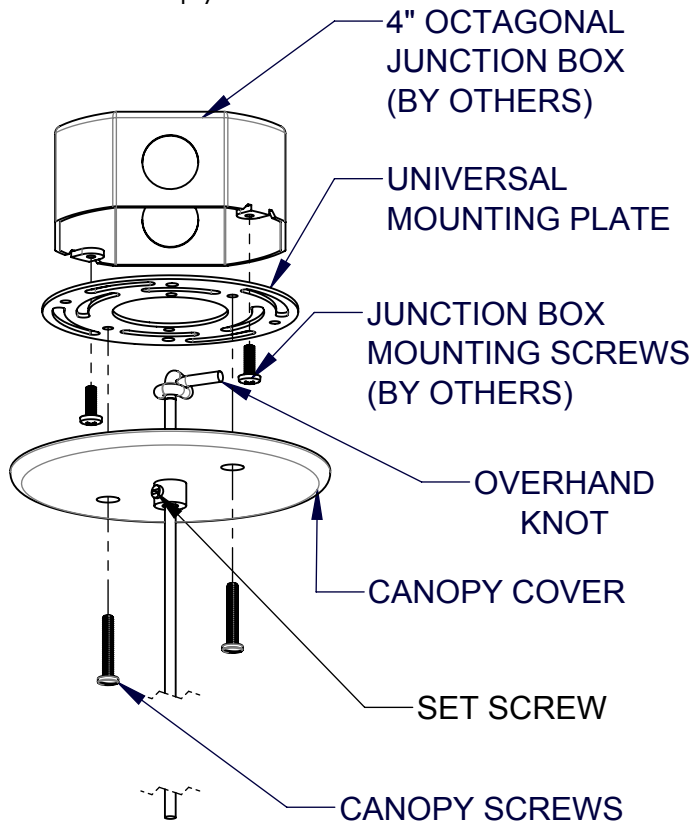
# INSTALLATION INSTRUCTIONS

Model: **CP6900**  
Fixture Family: **MUSE**  
Document Description: Installation Instructions for  
LED Series Luminaires

**VISA LIGHTING**  
AN OLDENBURG GROUP COMPANY  
1717 West Civic Drive Milwaukee, WI 53209  
414-354-6600  
Design Modification Rights Reserved  
© Visa Lighting 2016

## RMD (Remote Mounted Driver) Option- Fixture Mounting:

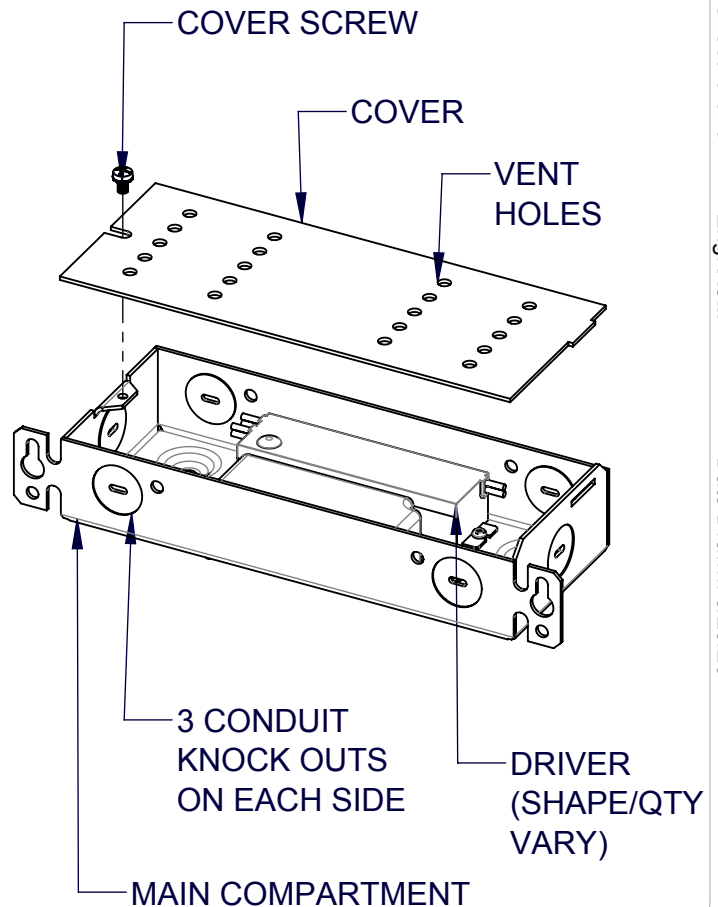
1. Fasten universal mounting plate to junction box with the junction box mounting screws (by others).
2. Adjust the height of the fixture by tightening the set screw on the side of the strain relief.
3. Ensure that an Overhand Knot is above the strain relief to prevent catastrophic failures.
4. Make all wire connections per local and national codes.
5. Lift Canopy in place and secure with canopy screws.



## RMD (Remote Mounted Driver) Option- Driver box mounting:

Components may vary depending on options ordered.

1. Remove cover by removing the cover screw.
2. Mount remote box in an accessible area per local and national codes, use fasteners appropriate for the mounting surface (not included).
3. Make all wire connections per local and national codes.



Drawing: 762350XX

Rev: A

Sheet: 3 of 3

Eng: AJM

Date Drawn: 8/20/20

When using electrical equipment, basic safety precautions should always be followed, including the following:

- Read all instructions carefully before installing and save for future use.
- Make sure all connections are in accordance with the National Electrical Code and local regulations.
- To avoid possible electric shock, be sure the power supply is turned off before servicing or installing the fixture.
- Service should be performed by qualified personnel.
- These instructions may not cover all details or variations. If additional information is needed, please contact Visa Lighting.