

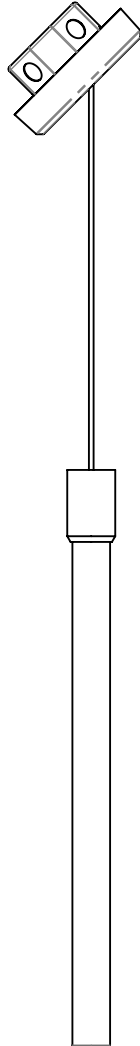
# INSTALLATION INSTRUCTIONS

Model: **CP6860/62**  
Fixture Family: **Theo Pendant**  
Document Description: Installation Instructions for  
LED Series Luminaires

**VISA LIGHTING**  
AN OLDENBURG GROUP COMPANY  
1717 West Civic Drive Milwaukee, WI 53209  
414-354-6600  
Design Modification Rights Reserved  
© Visa Lighting 2016

## Theo Pendant

Accommodates Ceiling Slopes up to 45 Degree  
Body Length varies with Model number  
Overall Adjust Height during Mounting



### Power cord has 4 conductors:

RED = LED (+)  
BLUE = LED (-)  
RED/WHITE = Not Used  
BLUE/WHITE = Not Used

Drawing: 762357XX

Rev: A

Sheet: 1 of 3

Eng: MJH

Date Drawn: 11/18/20

**!** When using electrical equipment, basic safety precautions should always be followed, including the following:

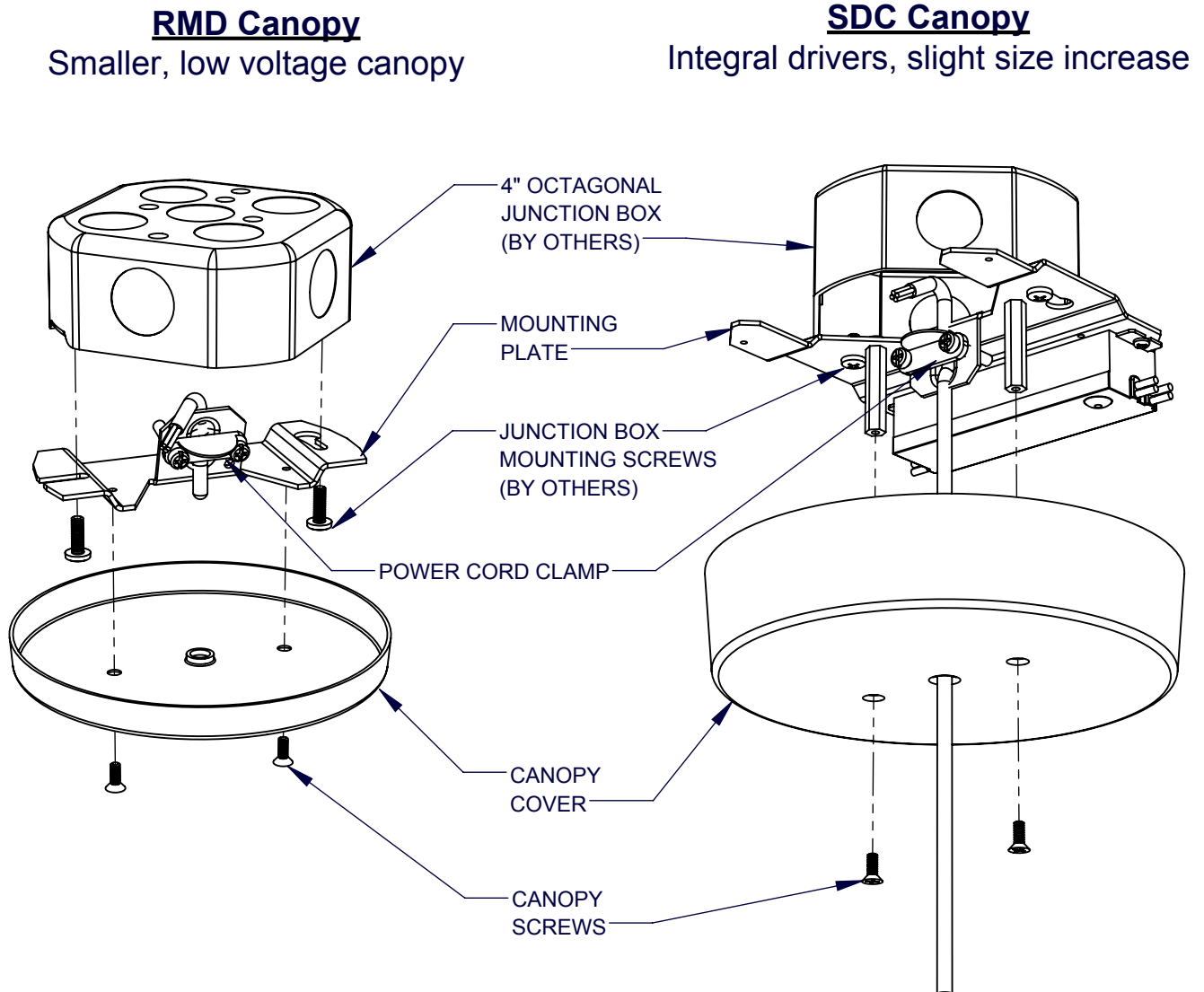
- Read all instructions carefully before installing and save for future use.
- Make sure all connections are in accordance with the National Electrical Code and local regulations.
- To avoid possible electric shock, be sure the power supply is turned off before servicing or installing the fixture.
- Service should be performed by qualified personnel.
- These instructions may not cover all details or variations. If additional information is needed, please contact Visa Lighting.

# INSTALLATION INSTRUCTIONS

Model: **CP6860/62**  
Fixture Family: **Theo Pendant**  
Document Description: Installation Instructions for  
LED Series Luminaires

## Fixture Canopy Mounting

1. Loosen power cord clamp screws to adjust overall height if desired. Retighten screws afterward.
2. Fasten mounting plate to junction box with the junction box mounting screws (by others).
3. Make all wire connections per local and national codes.
4. Lift canopy in place and secure with canopy screws.



Drawing: 762357XX

Rev: A

Sheet: 2 of 3

Eng: MJH

Date Drawn: 11/18/20

**!** When using electrical equipment, basic safety precautions should always be followed, including the following:

- Read all instructions carefully before installing and save for future use.
- Make sure all connections are in accordance with the National Electrical Code and local regulations.
- To avoid possible electric shock, be sure the power supply is turned off before servicing or installing the fixture.
- Service should be performed by qualified personnel.
- These instructions may not cover all details or variations. If additional information is needed, please contact Visa Lighting.

# INSTALLATION INSTRUCTIONS

Model: **CP6860/62**  
Fixture Family: **Theo Pendant**  
Document Description: Installation Instructions for  
LED Series Luminaires

**VISA LIGHTING**  
AN OLDENBURG GROUP COMPANY  
1717 West Civic Drive Milwaukee, WI 53209  
414-354-6600  
Design Modification Rights Reserved  
© Visa Lighting

Drawing: 762357XX

Rev: A

Sheet: 3 of 3

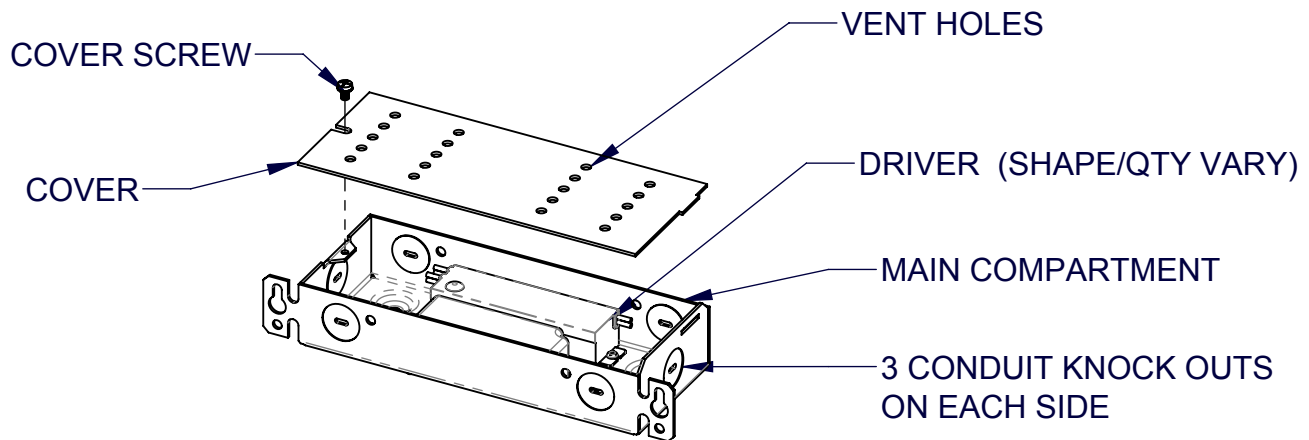
Eng: MJH

Date Drawn: 11/18/20

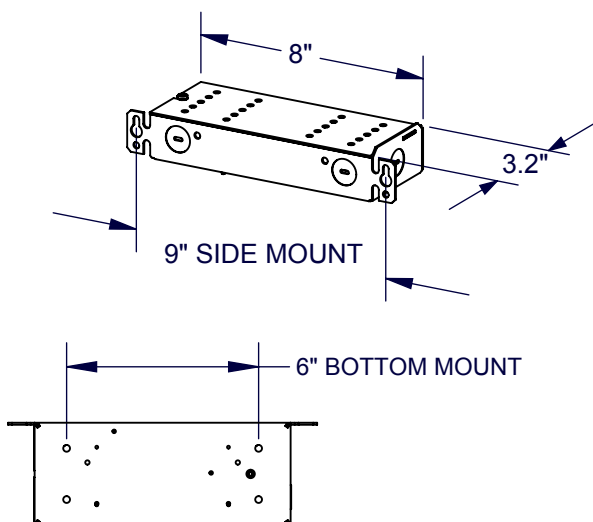
## RMD Option, Remote Mounted Driver Box:

Components may vary depending on options ordered.

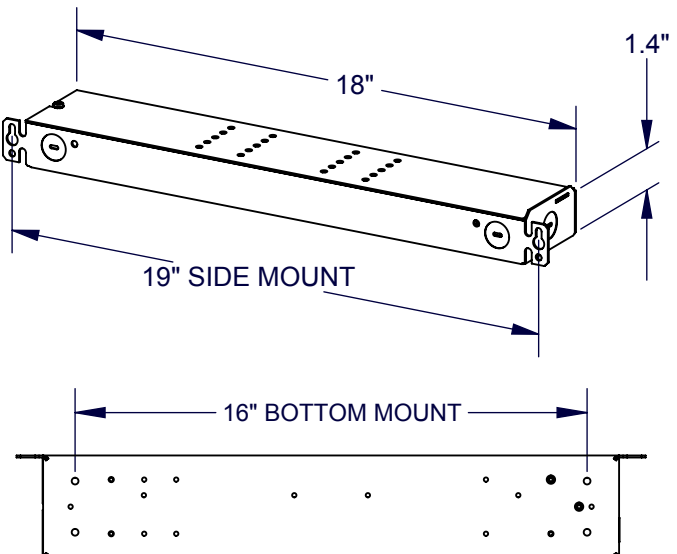
1. Remove cover by removing the cover screw.
2. Mount remote box in an accessible area per local and national codes, use fasteners appropriate for the mounting surface (not included).
3. Make all wire connections per local and national codes.



### 8" BOX DIMENSIONS



### 18" BOX DIMENSIONS



When using electrical equipment, basic safety precautions should always be followed, including the following:

- Read all instructions carefully before installing and save for future use.
- Make sure all connections are in accordance with the National Electrical Code and local regulations.
- To avoid possible electric shock, be sure the power supply is turned off before servicing or installing the fixture.
- Service should be performed by qualified personnel.
- These instructions may not cover all details or variations. If additional information is needed, please contact Visa Lighting.