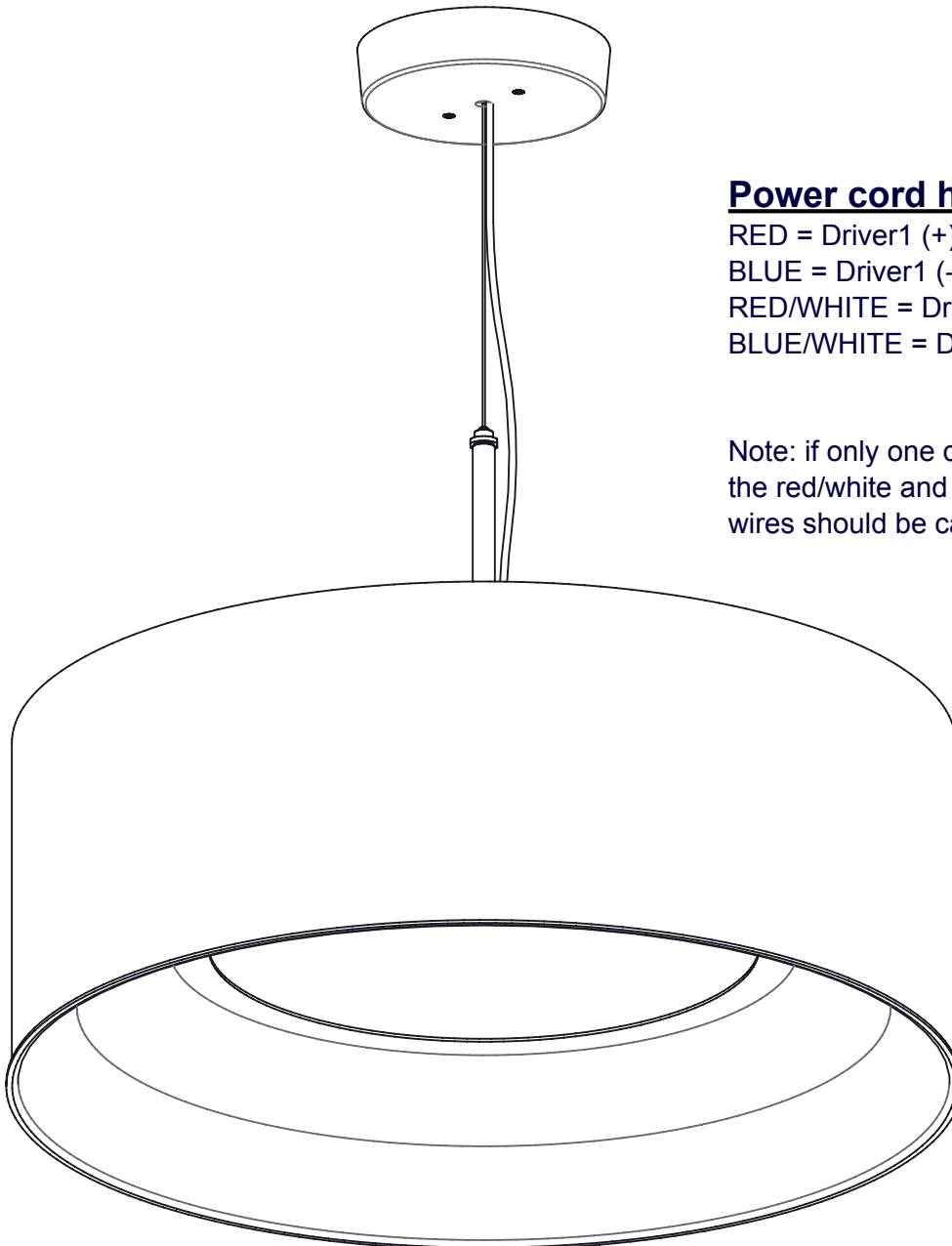


# INSTALLATION INSTRUCTIONS

Model: CP4420, CP4422, CP4424  
Fixture Family: RIFF  
Document Description: Installation Instructions for  
LED Series Luminaires

**VISA LIGHTING**  
AN OLDENBURG GROUP COMPANY  
1717 West Civic Drive Milwaukee, WI 53209  
414-354-6600  
Design Modification Rights Reserved  
© Visa Lighting 2016

## RIFF



### **Power cord has 4 conductors:**

RED = Driver1 (+)  
BLUE = Driver1 (-)  
RED/WHITE = Driver2 (+)  
BLUE/WHITE = Driver2 (-)

Note: if only one driver is in the canopy,  
the red/white and blue/white 'Driver2'  
wires should be capped off

Drawing: 762359XX

Rev: A

Sheet: 1 of 3

Eng: AJM

Date Drawn: 12/15/20

When using electrical equipment, basic safety precautions should always be followed, including the following:

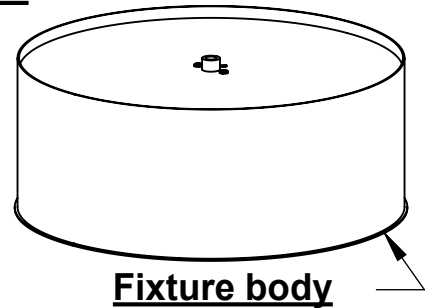
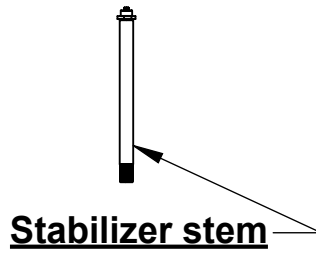
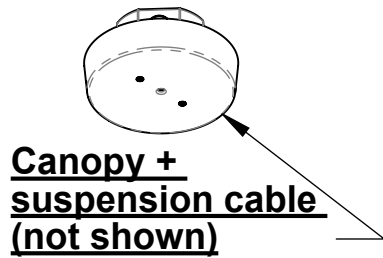
- Read all instructions carefully before installing and save for future use.
- Make sure all connections are in accordance with the National Electrical Code and local regulations.
- To avoid possible electric shock, be sure the power supply is turned off before servicing or installing the fixture.
- Service should be performed by qualified personnel.
- These instructions may not cover all details or variations. If additional information is needed, please contact Visa Lighting.

# INSTALLATION INSTRUCTIONS

Model: CP4420, CP4422, CP4424  
Fixture Family: RIFF  
Document Description: Installation Instructions for LED Series Luminaires

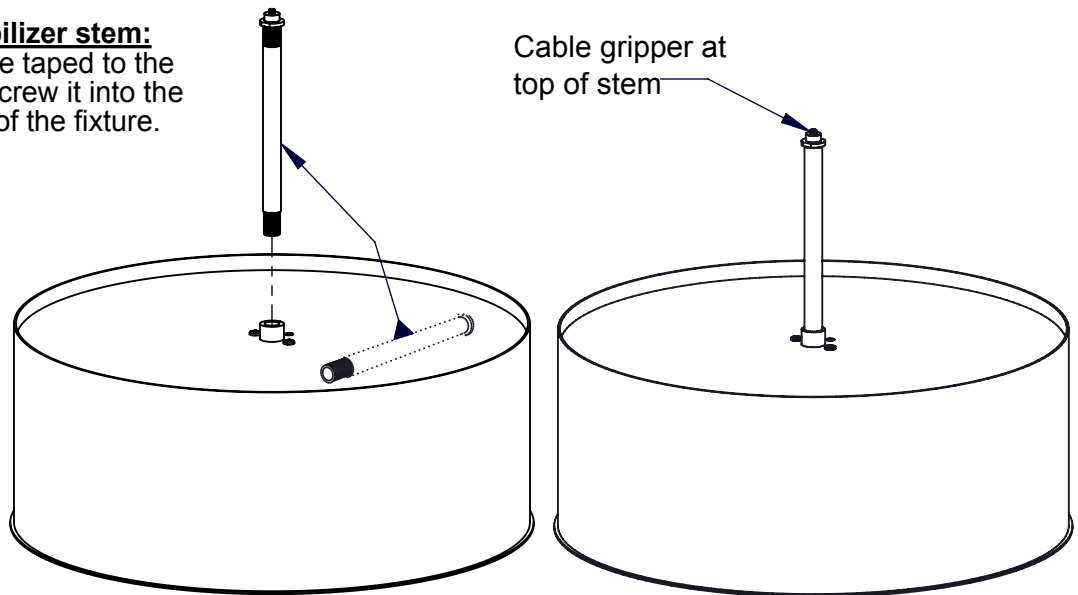
**VISA LIGHTING**  
AN OLDENBURG GROUP COMPANY  
1717 West Civic Drive Milwaukee, WI 53209  
414-354-6600  
Design Modification Rights Reserved  
© Visa Lighting 2016

## Fixture will arrive in 3 assemblies



### STEP 1: Install the stabilizer stem:

The stabilizer stem will be taped to the top of the fixture body. Screw it into the stem coupler on the top of the fixture.

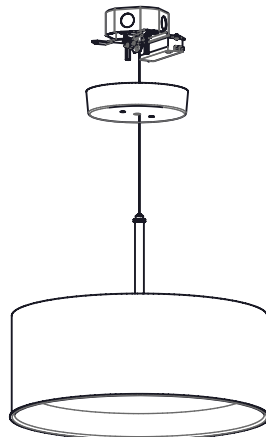


### STEP 2: Install canopy mounting plate and suspension cable

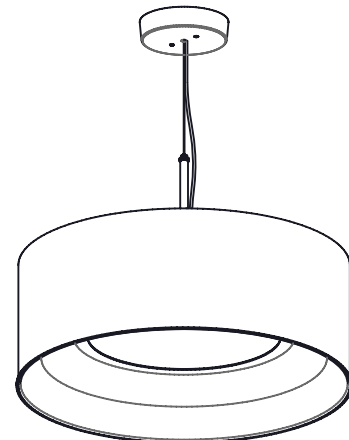


(See next page for more details on mounting the canopy)

### STEP 3: Pass cable through canopy cover and into the cable gripper at the top of the stabilizer stem



### STEP 4: Make wire connections in canopy and install canopy cover



Drawing: 762359XX

Rev: A

Sheet: 2 of 3

Eng: AJM

Date Drawn: 12/15/20

When using electrical equipment, basic safety precautions should always be followed, including the following:

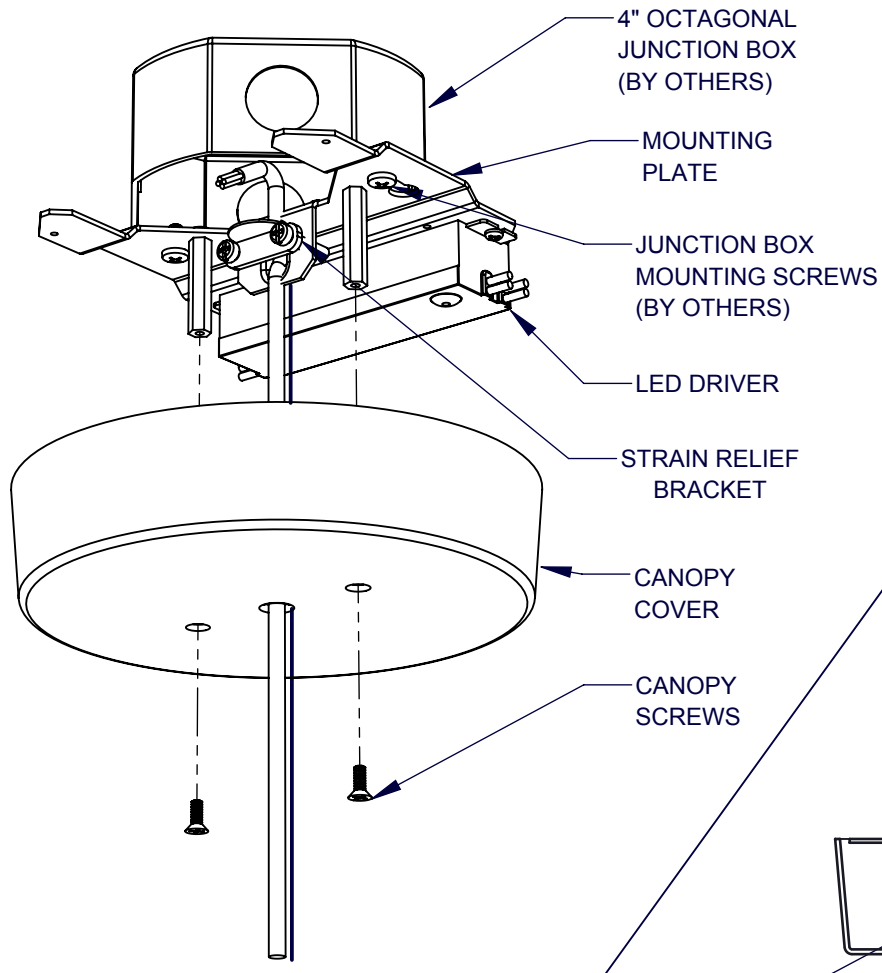
- Read all instructions carefully before installing and save for future use.
- Make sure all connections are in accordance with the National Electrical Code and local regulations.
- To avoid possible electric shock, be sure the power supply is turned off before servicing or installing the fixture.
- Service should be performed by qualified personnel.

• These instructions may not cover all details or variations. If additional information is needed, please contact Visa Lighting.

# INSTALLATION INSTRUCTIONS

Model: **CP4420, CP4422, CP4424**  
 Fixture Family: **RIFF**  
 Document Description: Installation Instructions for  
 LED Series Luminaires

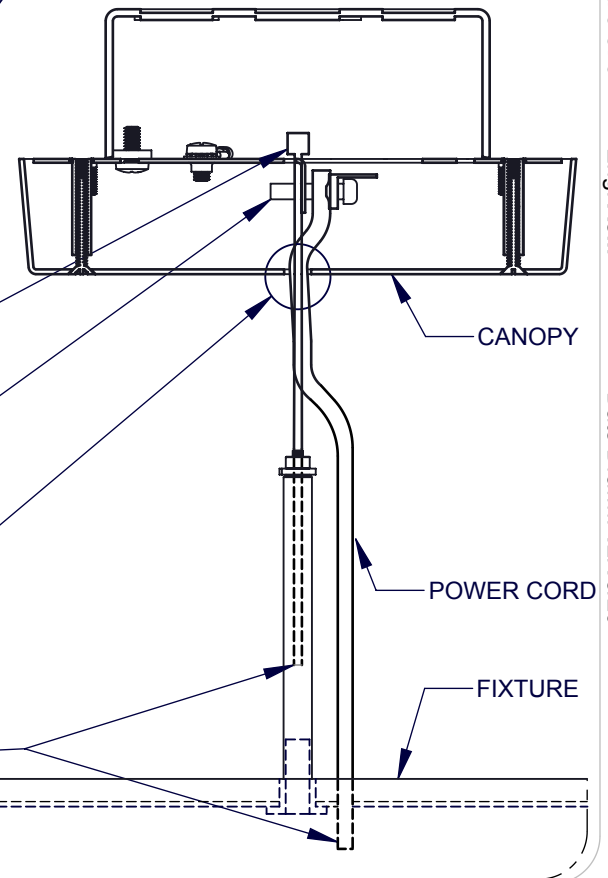
**VISA LIGHTING**  
 AN OLDENBURG GROUP COMPANY  
 1717 West Civic Drive Milwaukee, WI 53209  
 414-354-6600  
 Design Modification Rights Reserved  
 © Visa Lighting



## **Fixture canopy mounting:**

1. Fasten mounting plate to junction box with the junction box mounting screws (by others)
2. Make all wire connections per local and national codes
3. Lift Canopy in place and secure with canopy screws

## **Height Adjustment tips:**



- Swage on end of support cable holds up weight of fixture through mounting plate
- Loosen/ tighten strain relief bracket screws to shorten the power cord
- Support cable and power cord enter through same hole in the canopy cover
- Support cable and power cord can be pushed into the fixture to shorten the suspension height

Drawing: 762359XX

Rev: A

Sheet: 3 of 3

Eng: AJM

Date Drawn: 12/15/20



When using electrical equipment, basic safety precautions should always be followed, including the following:

- Read all instructions carefully before installing and save for future use.
- Make sure all connections are in accordance with the National Electrical Code and local regulations.
- To avoid possible electric shock, be sure the power supply is turned off before servicing or installing the fixture
- Service should be performed by qualified personnel.

• These instructions may not cover all details or variations. If additional information is needed, please contact Visa Lighting.