

INSTALLATION INSTRUCTIONS

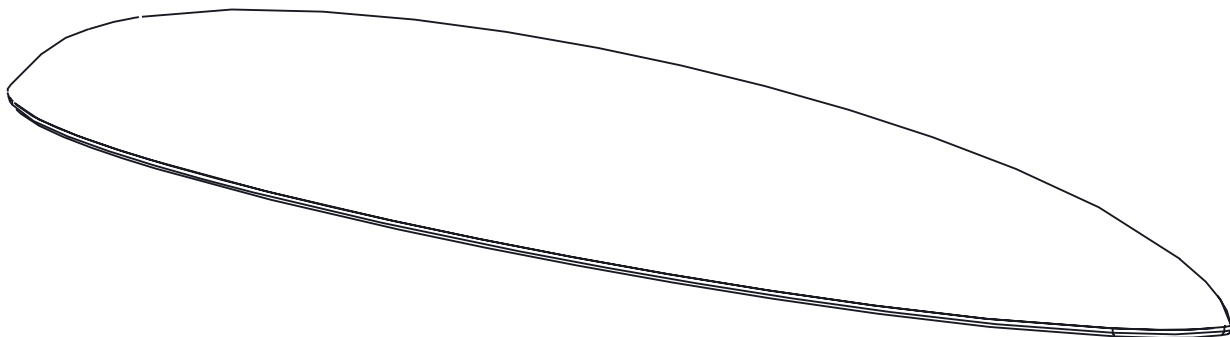
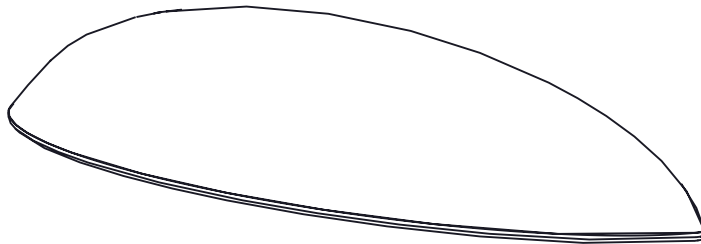
Model: **CB3944-14 & CB3944-26**
Fixture Family: **Sanibel HA**
Document Description: Installation Instructions for
Sanibel HA Series Luminaires

 **VISA LIGHTING**
1717 West Civic Drive Milwaukee, WI 53209
414-354-6600
Design Modification Rights Reserved
© Visa Lighting 2016

Sanibel HA

CB3944-14

CB3944-26



Sheet 2: Standard Install
Sheet 3: Custom Junction Box Mounting Details
Sheet 4: RMD and Wiring Diagram

Drawing: 762369XX

Rev: A

Sheet: 1 of 4

Eng: NCA

Date Drawn: 5/26/22



When using electrical equipment, basic safety precautions should always be followed, including the following:

- Read all instructions carefully before installing and save for future use.
- Make sure all connections are in accordance with the National Electrical Code and local regulations.
- To avoid possible electric shock, be sure the power supply is turned off before servicing or installing the fixture.
- Service should be performed by qualified personnel.
- These instructions may not cover all details or variations. If additional information is needed, please contact Visa Lighting.

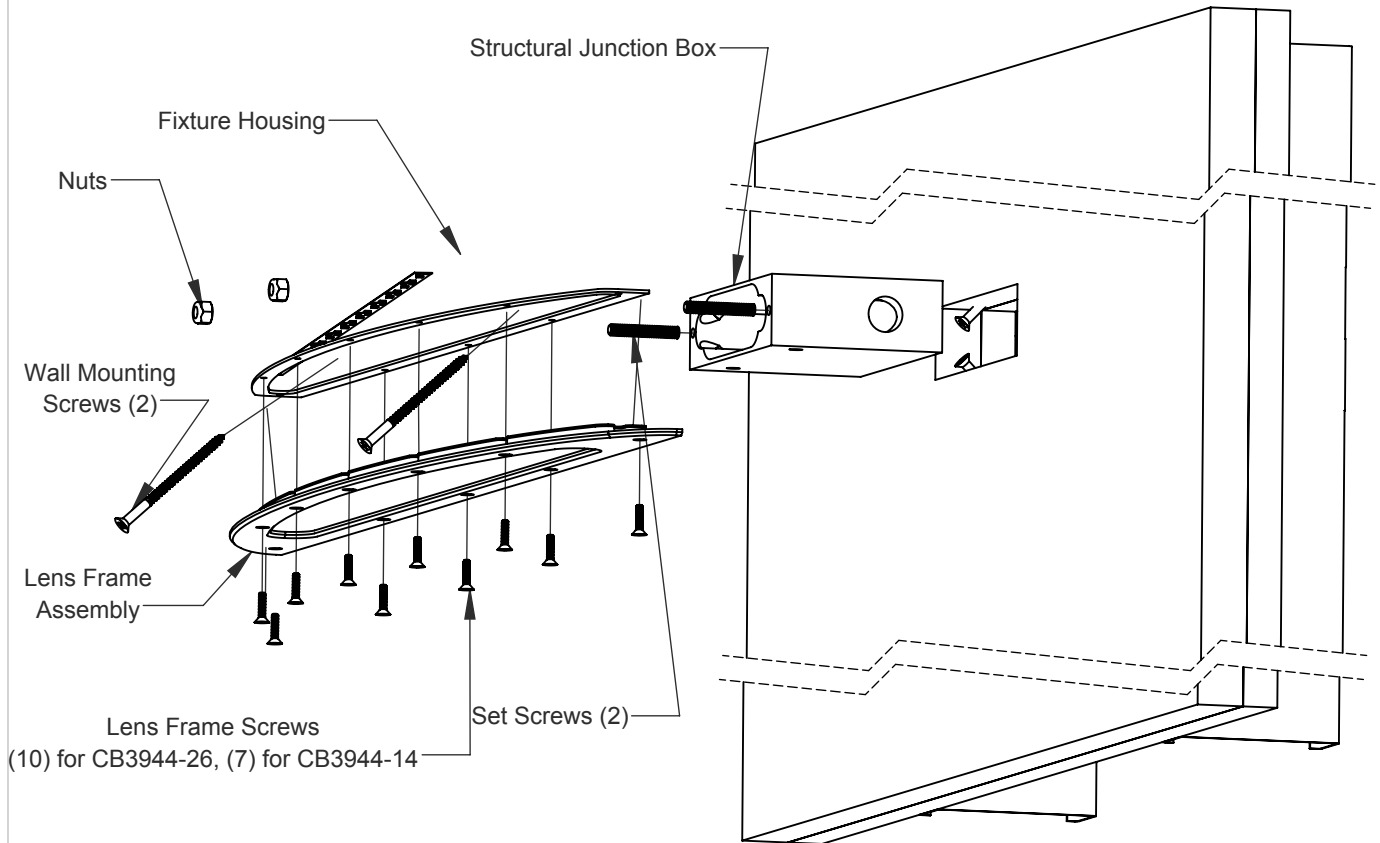
INSTALLATION INSTRUCTIONS



Model: **CB3944-14 & CB3944-26**
Fixture Family: **Sanibel HA**
Document Description: Installation Instructions for
Sanibel HA Series Luminaires

1717 West Civic Drive Milwaukee, WI 53209
414-354-6600
Design Modification Rights Reserved
© Visa Lighting 2016

Standard Install



Fixture must be mounted with lens facing downwards in Behavioral Health Environments.

INSTRUCTIONS

1. Install Structural Junction Box into the wall with internal support structure (See Sheet 3 for details).
2. Remove Lens Frame Screws and Lens Frame Assembly from the Fixture Housing.
3. Make wire connections according to local and state regulations.
4. Put Set Screws into Structural Junction Box with about 0.75" outside of wall surface.
5. Place Fixture Housing onto wall surface over Set Screws and fasten with provided nuts.
6. Install 3" Wall Screws into the wall through the angled holes in the Fixture Housing.
7. Reinstall Lens Frame Assembly with Lens Frame Screws.
8. Apply bead of caulking around Fixture Housing (Pick Proof Caulk if Facility requires).

Drawing: 762369XX

Rev: A

Sheet: 2 of 4

Eng: NCA

Date Drawn: 5/26/22



When using electrical equipment, basic safety precautions should always be followed, including the following:

- Read all instructions carefully before installing and save for future use.
- Make sure all connections are in accordance with the National Electrical Code and local regulations.
- To avoid possible electric shock, be sure the power supply is turned off before servicing or installing the fixture.
- Service should be performed by qualified personnel.

• These instructions may not cover all details or variations. If additional information is needed, please contact Visa Lighting.

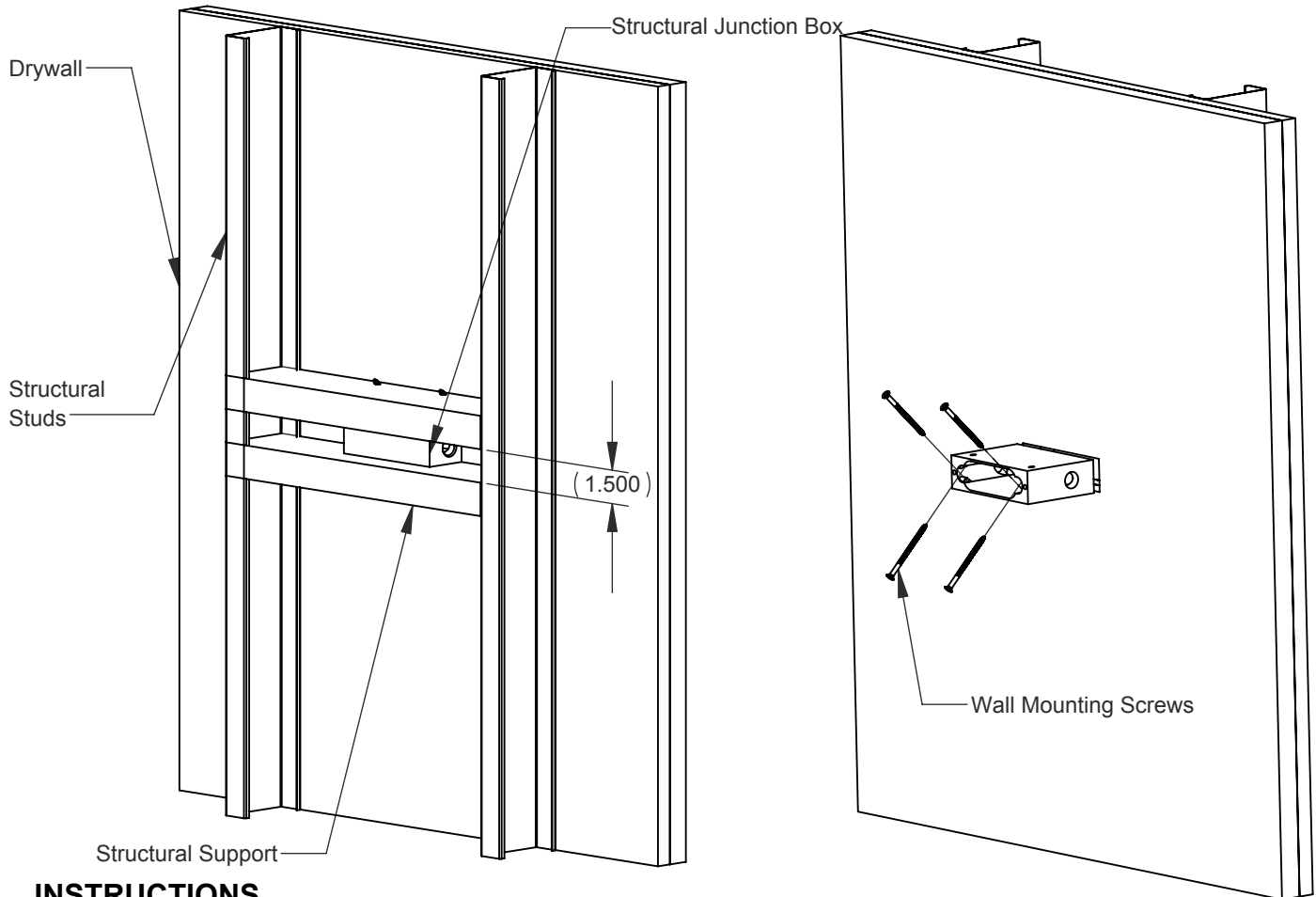
INSTALLATION INSTRUCTIONS

Model: **CB3944-14 & CB3944-26**
Fixture Family: **Sanibel HA**
Document Description: Installation Instructions for
Sanibel HA Series Luminaires

VISA LIGHTING
1717 West Civic Drive Milwaukee, WI 53209
414-354-6600
Design Modification Rights Reserved
© Visa Lighting 2016

Structural Junction Box Mounting Details

FIXTURE CANNOT BE MOUNTED OVER COMMON JUNCTION BOX



INSTRUCTIONS

1. Before installing drywalling/other walling materials, install Structural Support (by others) horizontally across the gap of 2 structural studs. Only the upper support is needed for impact resistance. Both are preferred when able. Maintain 1.5" gap between support pieces.
2. Complete normal drywall installation process.
3. Cut square opening into the wall below Upper Support Piece measuring 1.5" tall, 5.375" wide.
4. Insert Structural Junction Box into the wall, making connections to wiring conduit/other wiring pathway (by others). Junction Box should be either flush to or slightly recessed within the wall.
5. Using included Wall Mounting Screws, affix Structural Junction Box to Support Piece(s) through angled holes on both the top and bottom.

When using electrical equipment, basic safety precautions should always be followed, including the following:

- Read all instructions carefully before installing and save for future use.
- Make sure all connections are in accordance with the National Electrical Code and local regulations.
- To avoid possible electric shock, be sure the power supply is turned off before servicing or installing the fixture.
- Service should be performed by qualified personnel.
- These instructions may not cover all details or variations. If additional information is needed, please contact Visa Lighting.

Drawing: 762369XX

Rev: A

Sheet: 3 of 4

Eng: NCA

Date Drawn: 5/26/22

INSTALLATION INSTRUCTIONS

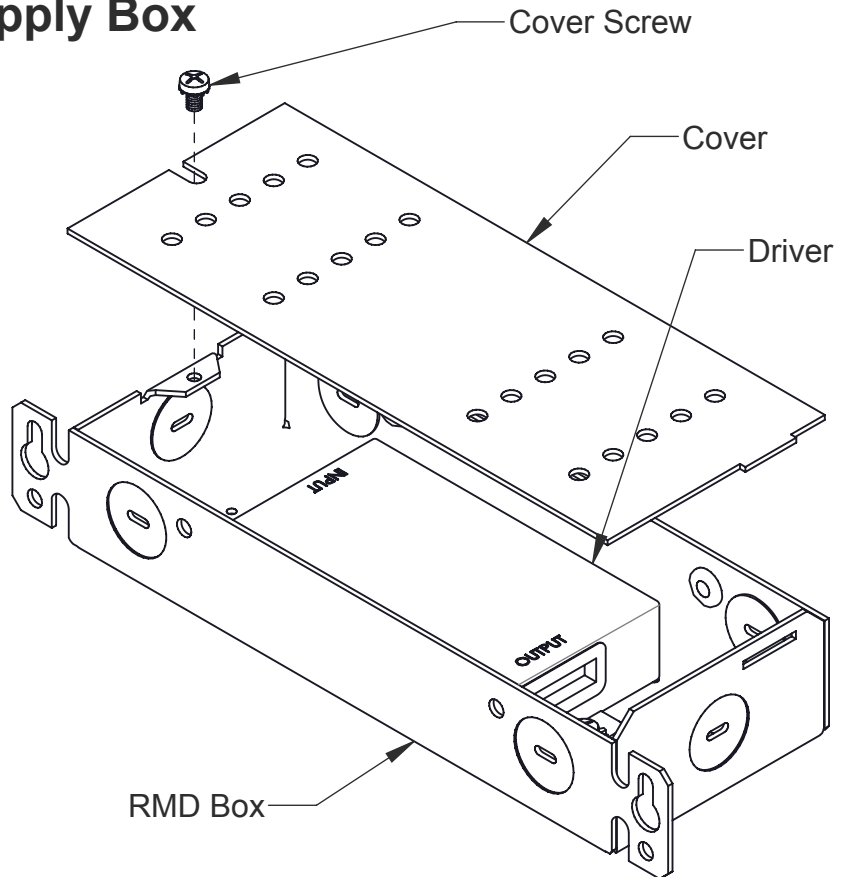
Model: **CB3944-14 & CB3944-26**
Fixture Family: **Sanibel HA**
Document Description: Installation Instructions for
Sanibel HA Series Luminaires

VISA LIGHTING
1717 West Civic Drive Milwaukee, WI 53209
414-354-6600
Design Modification Rights Reserved
© Visa Lighting 2016

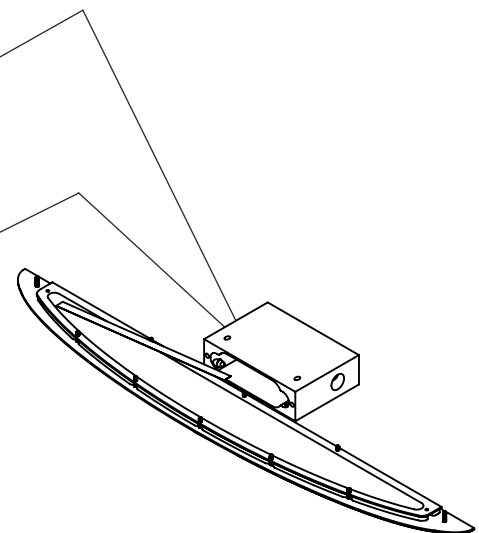
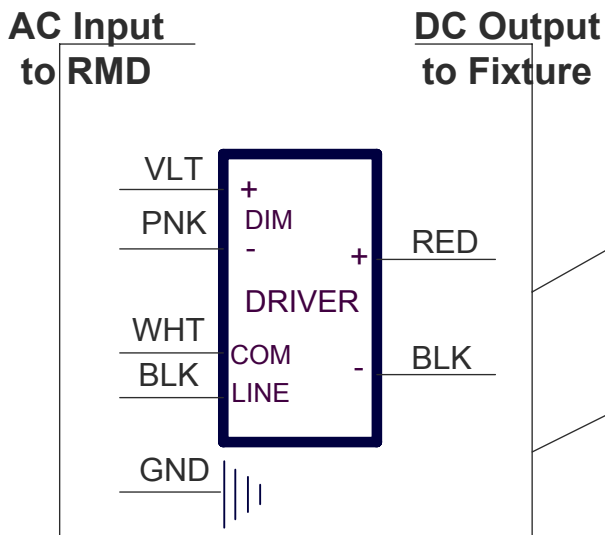
RMD, Remote Power Supply Box

Instructions

1. Remove Cover by removing Cover Screw.
2. Mount Remote Box in an accessible area per local and national codes, use fasteners appropriate for the mounting surface (not included).
3. Make class II output connections.
4. Make line voltage connections in RMD box.



Typical Wiring Diagram



Drawing: 762369XX

Rev: A

Sheet: 4 of 4

Eng: NCA

Date Drawn: 5/26/12

When using electrical equipment, basic safety precautions should always be followed, including the following:

- Read all instructions carefully before installing and save for future use.
- Make sure all connections are in accordance with the National Electrical Code and local regulations.
- To avoid possible electric shock, be sure the power supply is turned off before servicing or installing the fixture.
- Service should be performed by qualified personnel.
- These instructions may not cover all details or variations. If additional information is needed, please contact Visa Lighting.