

CP7120 ZUME™ IN

Indoor Luminous Globe



VisaLighting.com/products/Zume-In

Type: _____ Project: _____ Location: _____



DIMENSIONS 1, 6

OAH MUST BE SPECIFIED

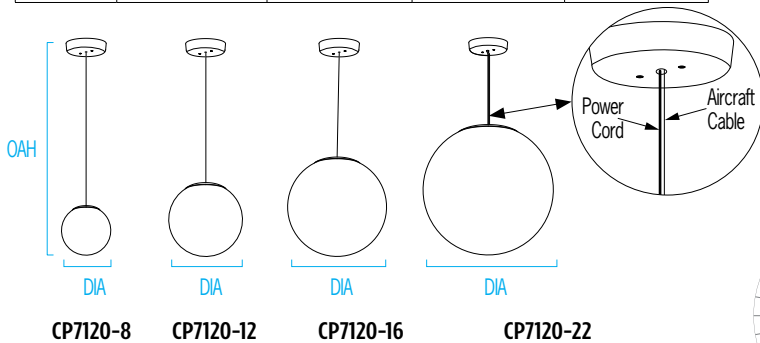
OAH is the distance (in inches) from the bottom of the fixture to the ceiling plane

DIA = Diameter OAH = Standard Overall Height WT=Weight

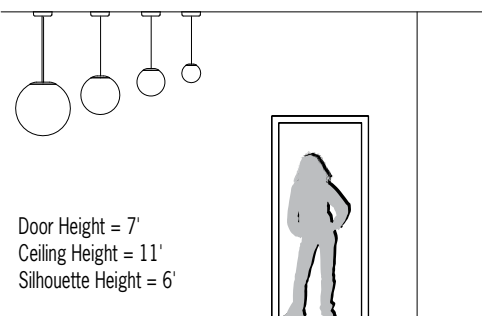
CP7120-	8	12	16	22
DIA	8" (203 mm)	12" (305 mm)	16" (406 mm)	22" (559 mm)
MIN OAH	16" (406 mm)	20" (508 mm)	24" (610 mm)	30" (762 mm)
STD OAH	72" (1829 mm)	72" (1829 mm)	72" (1829 mm)	72" (1829 mm)
MAX OAH	192" (4877 mm)	192" (4877 mm)	192" (4877 mm)	192" (4877 mm)
WT	4 lbs	5 lbs	6 lbs	10 lbs

FEATURES

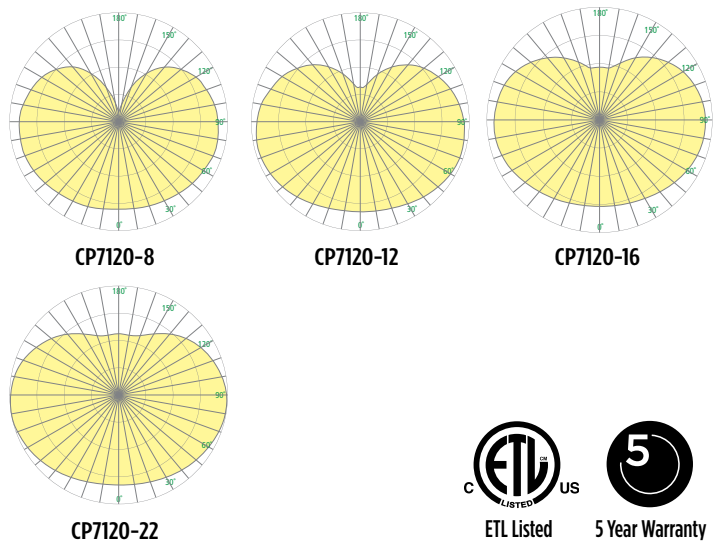
- Consistent luminance across all sizes
- Remote Driver (RMD) or Driver in Canopy (SDC) configurations available
- Remote Driver (RMD) includes round canopy 5-1/4" diameter and 1/2" deep
- Driver in canopy (SDC) includes round canopy 6-3/8" diameter and 1-1/2" deep
- Canopy mounts over 4x4 junction box (by others) with provided hardware and is painted white
- One piece gloss white acrylic globe for seamless appearance
- Suspended by 2-conductor white power cord (8", 12" and 16"); 22" suspended by aircraft cable
- Non-VOC powder coat finishes or environmentally friendly low VOC metal alternative finishes
- ETL listed for damp locations. Not suited for exterior applications



RELATIVE SCALE DRAWING



PHOTOMETRICS



CP7120 ZUME IN (cont.)

Indoor Luminous Globe

Fill in shaded boxes using information listed below

CP7120				- MVOLT				
MODEL	DIAMETER¹ 8" 12" 16" 22"	SOURCE² L30K L35K L40K	SOURCE OPTION³ 90CRI Minimum 80CRI is standard if option is not selected	VOLTAGE MVOLT	CAP FINISH See last page for finish order codes	DRIVER⁴ RMD SDC	OPTION⁵ DCC	OAH⁶ See page 1

SOURCE² (Select one)

Dimmable 0-10V to 1%, minimum 80CRI, within 3-step MacAdam

Bodylight Source	Delivered Lumens			
	CP7120-8	CP7120-12	CP7120-16	CP7120-22
L30K	1050	2300	3500	5900
L35K	1100	2400	3600	6100
L40K	1150	2400	3800	6300
Power (Watts)	8	17	30	47

VOLTAGE

MVOLT	120-277V, 50/60 Hz
--------------	--------------------

LUMEN MAINTENANCE RATING

L70 (reported)	>55,000 hrs
-----------------------	-------------

SOURCE OPTION³

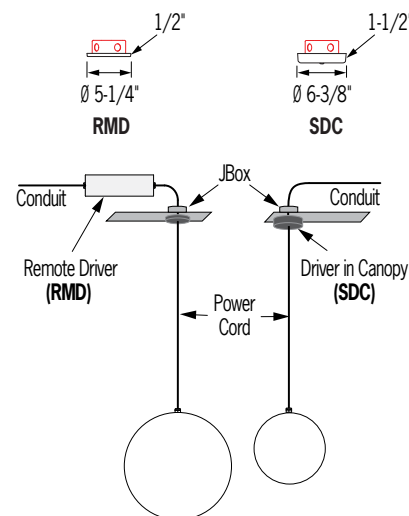
Minimum 80CRI within 3-step MacAdam is standard if option is not selected

90CRI	Color rendering index minimum 90, minimum R9 value of 50 (delivered lumens reduced by 15%)
--------------	--

DRIVER⁴ (Select one)

⚠ Availability may be interdependent with Voltage, Source or Other Options

SDC	Surface canopy with integral driver; canopy is painted white
RMD	Remote driver enclosure, has knockouts for conduit connection, may be recess mounted with insulation contact (type IC). Canopy is painted white. See page 3 for more information

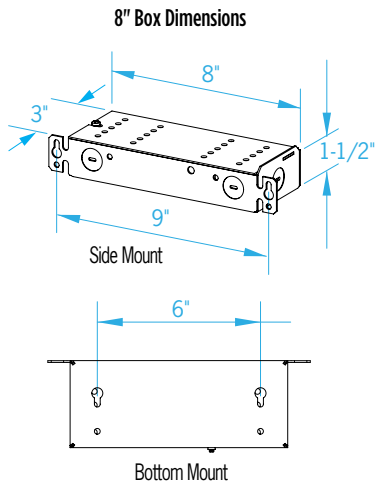


Options continued on Page 3

CP7120 ZUME IN (cont.)

Indoor Luminous Globe

REMOTE DRIVER (RMD) INFORMATION



Model	Maximum Recommended Remote Wiring Distance from RMD to fixture canopy			
	12AWG	14AWG	16AWG	18AWG
CP7120-8	1425	900	550	325
CP7120-12	550	350	225	125
CP7120-16	250	150	100	50
CP7120-22	100	50	25	25

All distances in feet

Remote driver boxes have knockouts for conduit connections

OPTION⁵

⚠ Option availability may be interdependent with Other Options

DCC	Damp clear coat for metal finishes (required for 5 year warranty when used in damp locations)
-----	---

CP7120 ZUME IN (cont.)

Indoor Luminous Globe



ZUME PRODUCT FAMILY

Indoor				
Zume In	Cord Suspension	<ul style="list-style-type: none"> • CP7120-8 • CP7120-12 • CP7120-16 		
	Cord & Cable Suspension	<ul style="list-style-type: none"> • CP7120-22 		
Zume DL	Cord & Cable Suspension	<ul style="list-style-type: none"> • CP7122-12 • CP7122-16 • CP7122-22 		
Outdoor				
Zume Out	Cord & Cable Suspension	<ul style="list-style-type: none"> • OP2120-ShortCap — 12" • OP2130-ShortCap — 16" • OP2140-ShortCap — 20" 	<ul style="list-style-type: none"> • OP2120-SolidCap — 12" • OP2130-SolidCap — 16" • OP2140-SolidCap — 20" 	<ul style="list-style-type: none"> • OP2120-SlottedCap — 12" • OP2130-SlottedCap — 16" • OP2140-SlottedCap — 20"
	Catenary Suspension	<ul style="list-style-type: none"> • OP2122-ShortCap — 12" • OP2132-ShortCap — 16" • OP2142-ShortCap — 20" 	<ul style="list-style-type: none"> • OP2122-SolidCap — 12" • OP2132-SolidCap — 16" • OP2142-SolidCap — 20" 	<ul style="list-style-type: none"> • OP2122-SlottedCap — 12" • OP2132-SlottedCap — 16" • OP2142-SlottedCap — 20"
	Stem Suspension	<ul style="list-style-type: none"> • OP2124-ShortCap — 12" • OP2134-ShortCap — 16" • OP2144-ShortCap — 20" 	<ul style="list-style-type: none"> • OP2124-SolidCap — 12" • OP2134-SolidCap — 16" • OP2144-SolidCap — 20" 	<ul style="list-style-type: none"> • OP2124-SlottedCap — 12" • OP2134-SlottedCap — 16" • OP2144-SlottedCap — 20"

SUGGESTED VARIATION

- Recommend Model CP7122 with custom cover plate over downlight opening for CCT consistency in spaces requiring combinations of globes with and without downlight

See [Visalighting.com/products/Zume-In](https://www.visalighting.com/products/Zume-In) for more information

CP7120 ZUME IN (cont.)

Indoor Luminous Globe



FINISHES

Specify color code when ordering. For accurate color matching, individual paint and finish samples are [available upon request](#). For more information about our finishes visit visalighting.com/finishes

Powder Coat Paint Finishes (Standard)

AGGY Agate Grey	ALGN Alpine Green	BJBG Baja Beige	BMAT Bronze Matte	BRNZ Bronze	BSIL Blade Silver	CVBL Cove Blue
DEOR Deoro Gold	GLWT Glacier White	GSIL Graphite Siver	HRGR Harbor Grey	JTBK Jet Black	OCBL Ocean Blue	SHGR Shoreline Grey
SBGN Sagebrush Green	SLGR Slate Grey	SSTP Sierra Taupe	TRCN Terracotta Canyon	TRWT Traffic White	VBLK Velvet Black	VNRD Vineyard Red

Alternative Metal Finishes (Premium)

BBA Brushed Brass Alternative	BCA Brushed Chrome Alternative	BUA Brushed Copper Alternative	BZA Brushed Bronze Alternative
OBA Oil-Rubbed Bronze Alternative	PRA Pewter Alternative	RBA Rustic Brass Alternative	SNA Satin Nickel Alternative

Metal Finish (Premium)

BA Brushed Aluminum